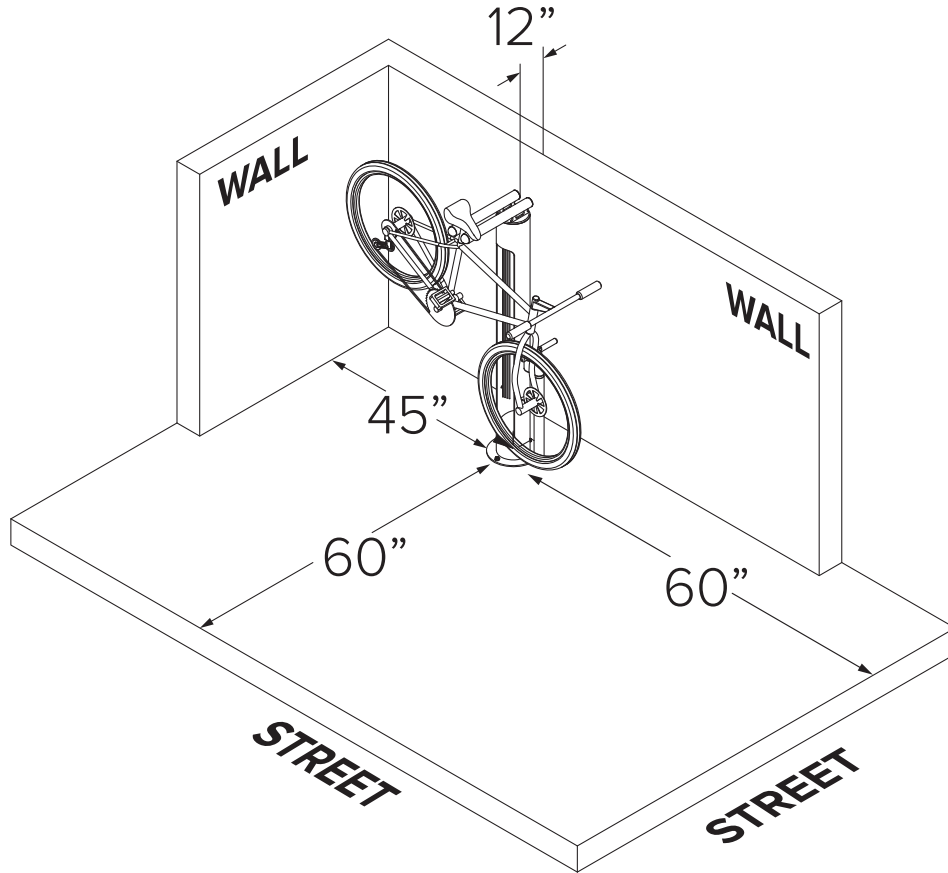
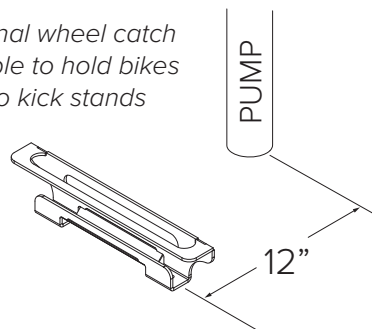


FIXIT Setbacks



An optional wheel catch is available to hold bikes with no kick stands



DERO
A PLAYCORE Company

www.dero.com | 1-888-337-6729

FIXIT

Installation Instructions

TOOLS NEEDED

Hammer drill
3/8" masonry bit
Hammer
Socket Wrench
9/16" socket
1/2" socket
Tamper-proof socket (included)*
Socket extension, 6" min.

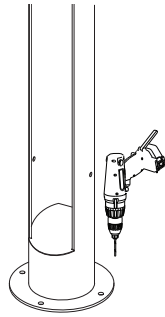
RECOMMENDED BASE MATERIAL

Solid concrete is the best base material for installation. To ensure the proper anchors are shipped with your rack, ask your Dero Rack representative which anchor is appropriate for your application. Be sure nothing is underneath the base material that could be damaged by drilling.



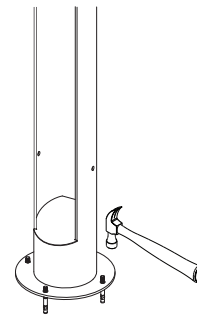
Be sure to save your tamper-resistant tools for any future maintenance. They are costly to replace.

1



Reference the Fixit setback recommendations and place the upright in the desired location. Use the base as a template and drill (4) 3/8" x 3" holes in the concrete with a hammer drill and masonry bit. Clean up all concrete dust from drilling.

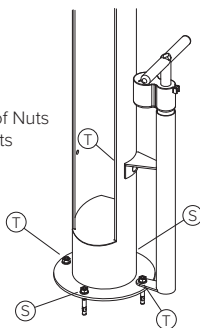
2



Hammer in the (4) wedge anchors. Leave at least 3/4" of an inch of exposed threads above the Fixit base.

3

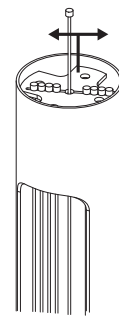
Ⓣ = Tamper-proof Nuts
Ⓢ = Standard Nuts



Decide which position the pump will be installed in and place the bottom pump flange over the corresponding wedge anchor. Attach the top pump flange to the Fixit upright with a carriage bolt, washer, and tamper-proof nut. Tighten all wedge anchors with washers and nuts.

Reserve one of the tamper-proof nuts to secure the tools.

4



Insert the tool cables into the cable slot on the Fixit upright.



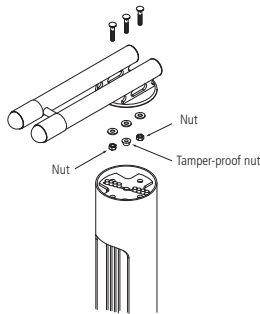
DERO
A PLAYCORE Company

www.dero.com | 1-888-337-6729

FIXIT

Installation Instructions

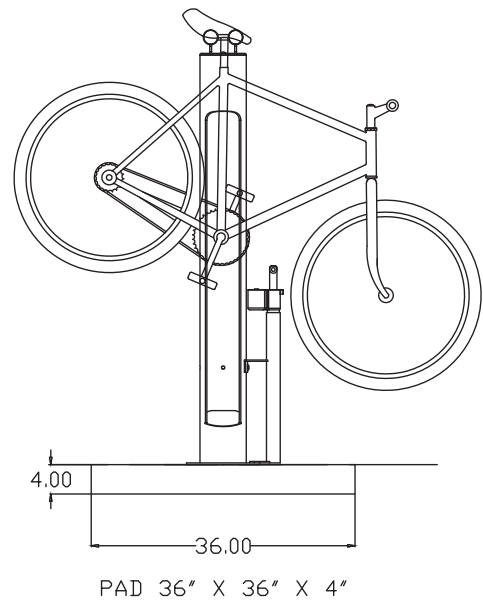
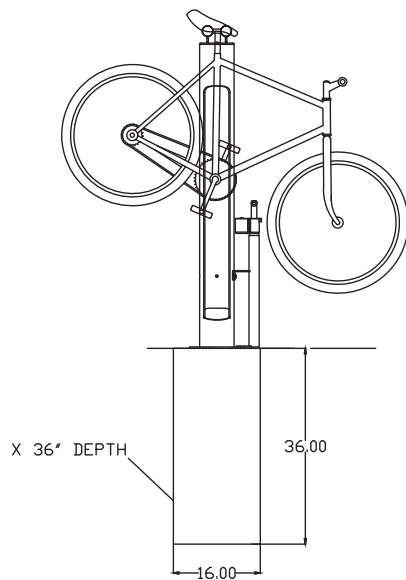
5



Place the bike hanger in the desired position on top of the Fixit upright and attach with carriage bolts, washers and nuts. **Apply the tamper-proof nut to center bolt to secure tools.**

If you would like us to add your station to our online map, email the station's geocoordinates to web@dero.com. These coordinates can be obtained by simply clicking a point on a Google Map.

<http://www.dero.com/fixitmap/fixitmap.html>



Pad recommendations for pouring along trail



DERO
A PLAYCORE Company

www.dero.com | 1-888-337-6729

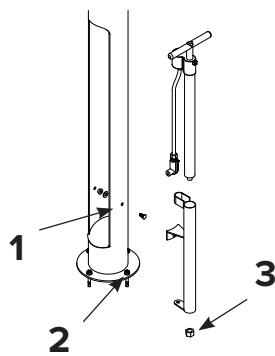
FIXIT

Maintenance and Replacement

NOTE:

All threads for all parts of the pump are right-hand threads. They tighten clockwise, and loosen counter-clockwise ("righty tighty, lefty loosey"). However, when you are looking top-down at a bolt that threads from underneath, if you move it counter-clockwise from your point of view, you are actually tightening, not loosening, the nut! This has led to some unnecessary breakage of pump parts. Be sure you are looking at the nut with the proper orientation before tightening or loosening.

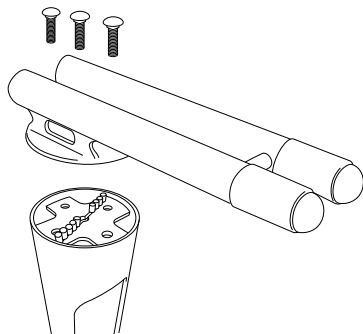
REMOVING THE AIR KIT FROM THE FIXIT



1. Remove nut and bolt on side of Fixit.

2. Remove tamperproof nut on bottom of Fixit, using the Tamperproof Penta Tool supplied for this purpose.

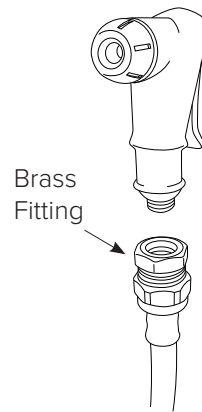
3. Once Airpump is removed, but still in sleeve, remove the 1 3/16" nut on the bottom of the sleeve (turning counter-clockwise). You can now slide the pump out.



REPLACING TOOLS

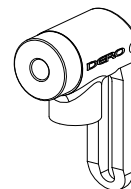
There are three bolts at the top of the Fixit. Underneath are two 3/8" nuts, and one penta tamper-proof nut (center bolt). These are all best removed with a socket wrench, using the extension tool to enable you to reach the nuts. Once the nuts are removed, take off the cap to replace tools.

CHANGING THE PUMPHEAD

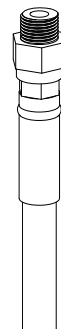


Remove the shrinkwrap. Unscrew the pumphead from the brass fitting (turning counter-clockwise). You will need to keep the brass fitting for the new pumphead. Replace the pumphead. If you want to put on shrinkwrap, then put the shrinkwrap sleeve over the hose before replacing pumphead. Once pumphead is on, pull shrinkwrap sleeve over the brass fitting and use a heatgun to shrink it.

CHANGING METAL HEAD™



Remove Metal Head™ by turning counter-clockwise. You will need a 3/4" wrench. Replace with new Metal Head and tighten.



If you are replacing a plastic pump head with a Metal Head, you will need to also purchase a replacement hose.



DERO
A PLAYCORE Company

www.dero.com | 1-888-337-6729