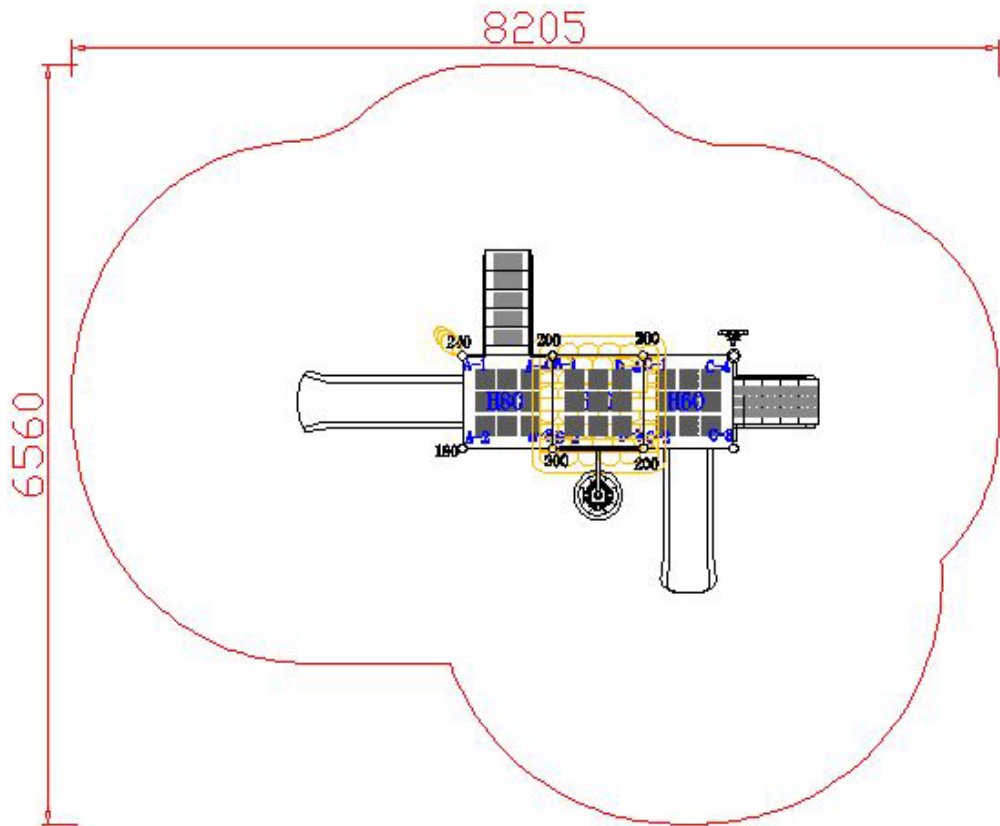
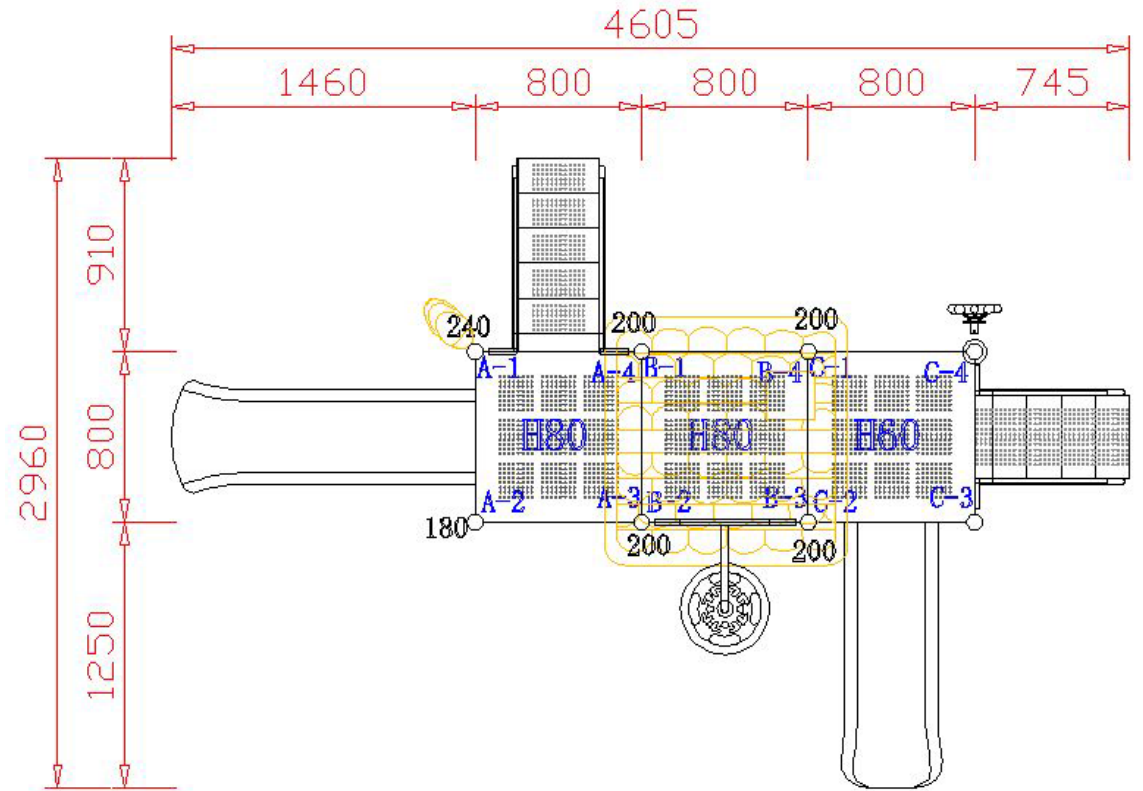
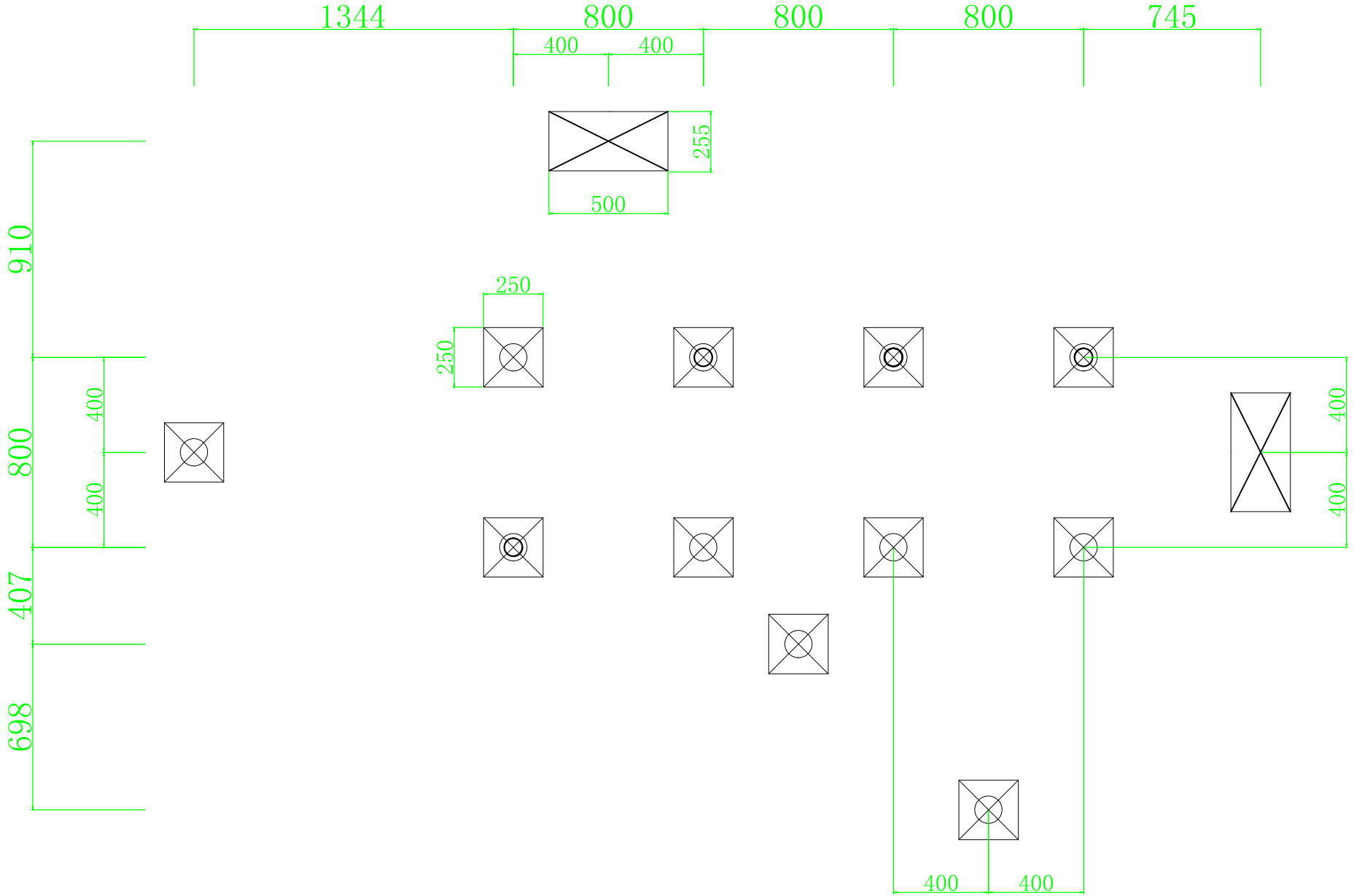


safetyarea :

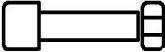


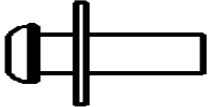
detailsize :

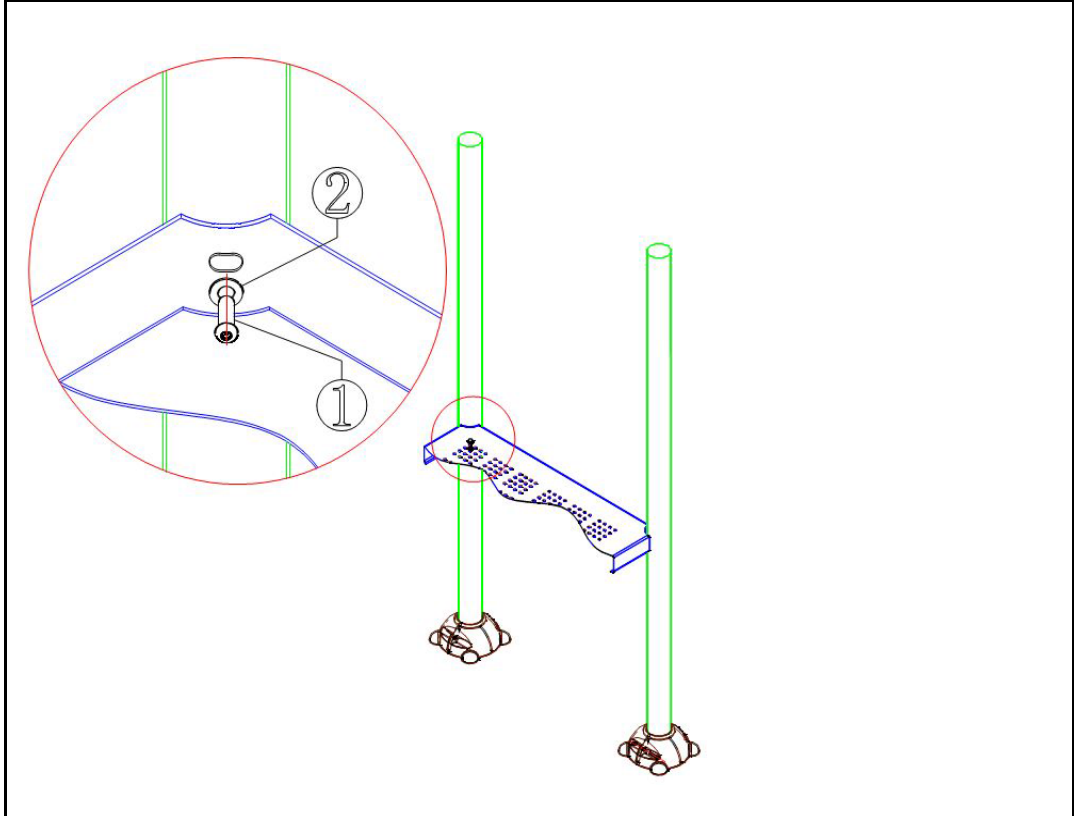
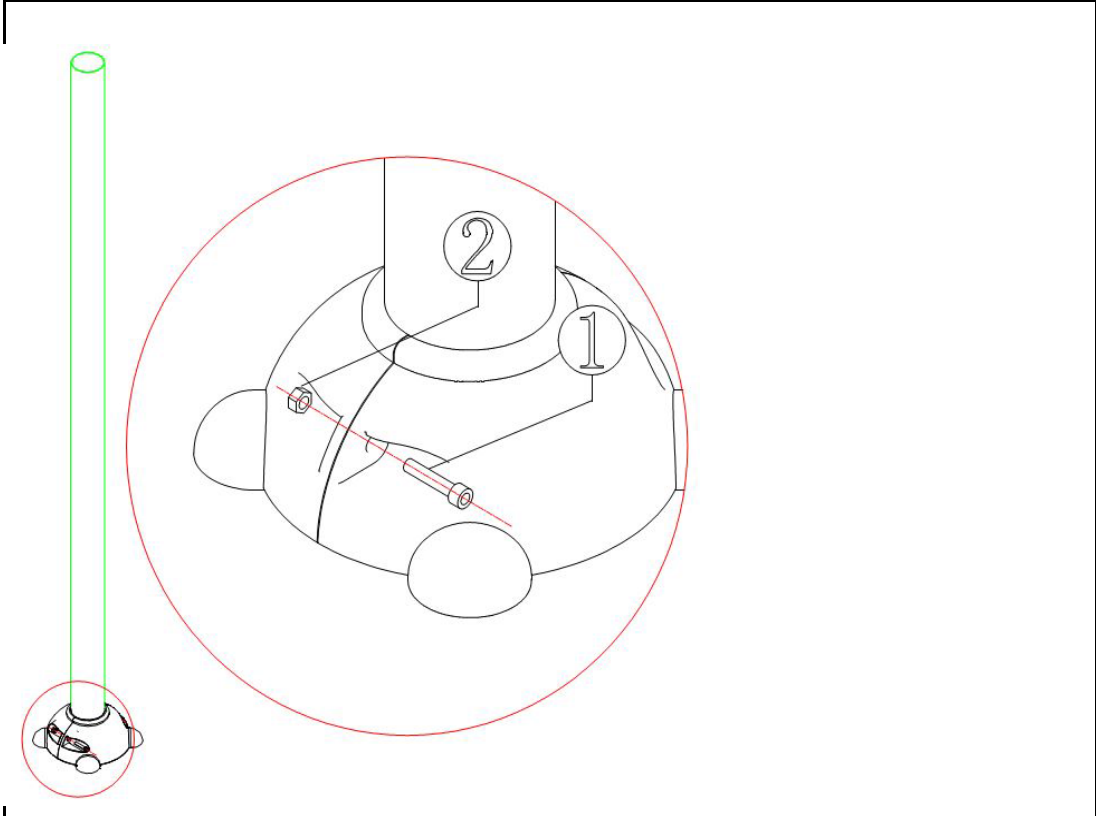




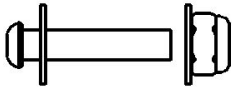
SM-03

Module number Nylon winch				
No.	Specification	Name	Qty	Picture
1	M8*25	Inner hexagonal bolt	2	
2	M8	nut	2	
3				
4				
5				
6				
7				
8				
9				
10				
Remark				

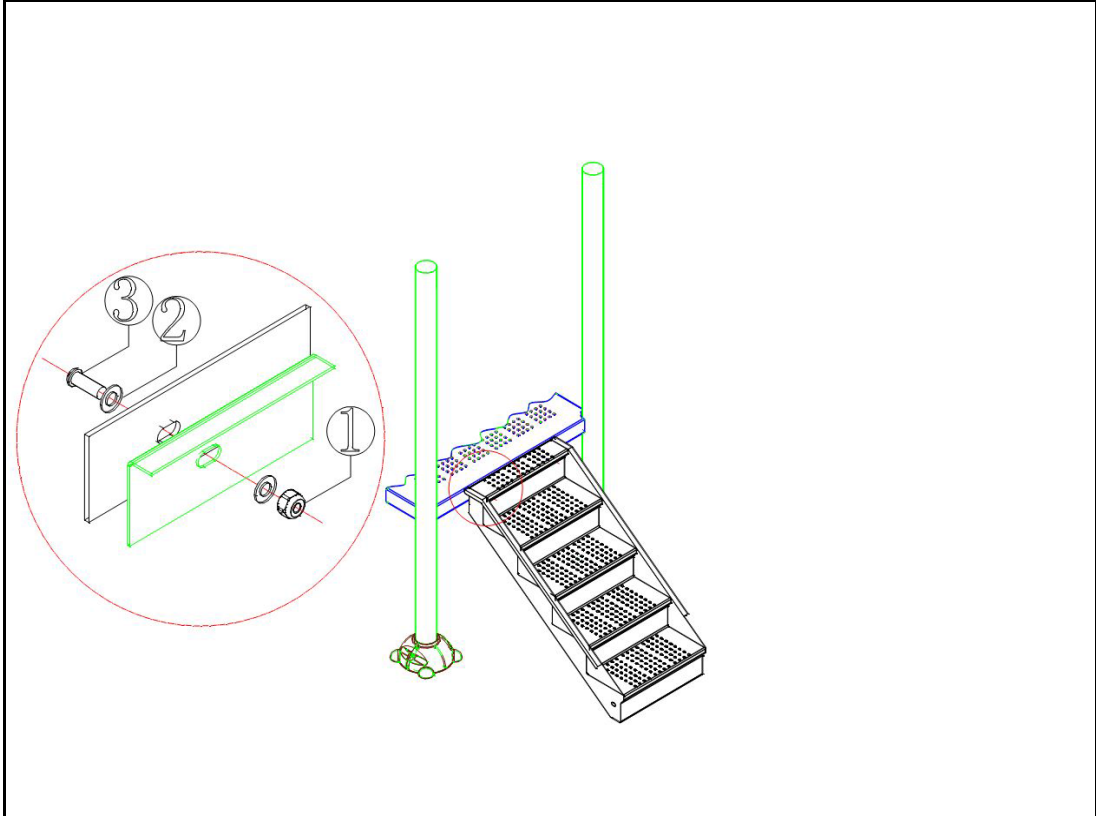
Module number Small square platform				
No.	Specification	Name	Qty	Picture
1	M10*30	Plum blossom cored bolt	4	
2	M10*2	Washer	4	
3				
4				
5				
6				
7				
8				
9				
10				
Remark				

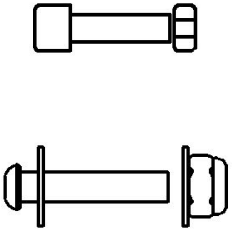




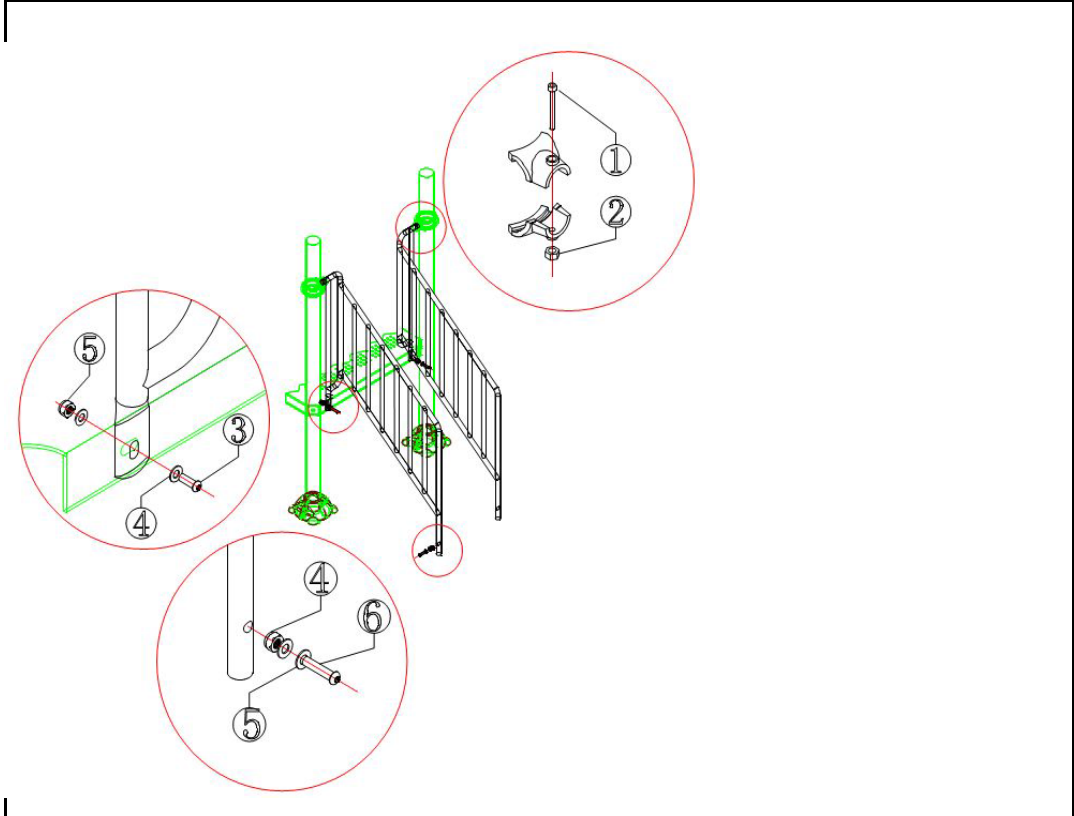
Module number (60) landing stairs				
No.	Specification	Name	Qty	Picture
1	M10	Screw nut	3	
2	M10*2	Washer	6	
3	M10*25	Plum blossom cored bolt	3	
4				
5				
6				
7				
8				
9				
10				

Remark

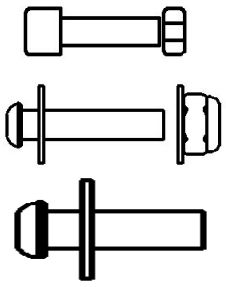


Module number (60)Floor staircase handrail				
No.	Specification	Name	Qty	Picture
1	M6*45	Inner hexagonal bolt	2	
2	M6	nut	2	
3	M10*25	Plum blossom cored bolt	2	
4	M10	Screw nut	4	
5	M10*2	Washer	8	
6	M10*55	Plum blossom cored bolt	2	
7				
8				
9				
10				

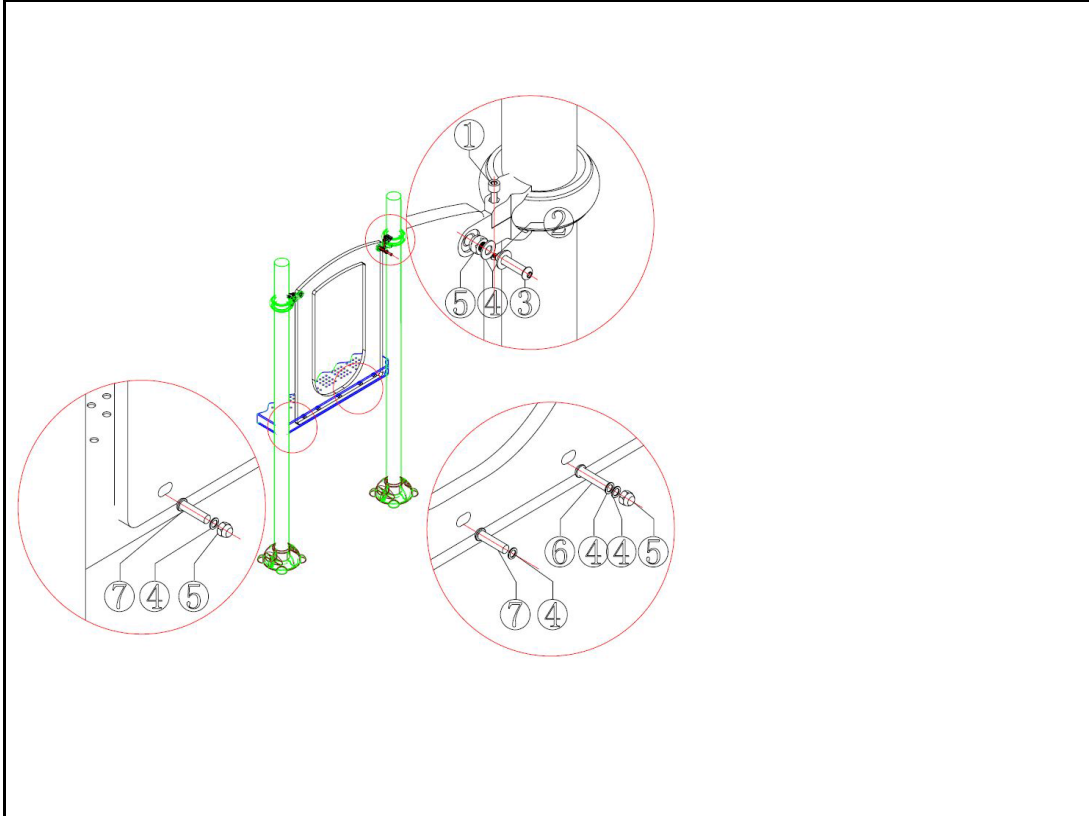
Remark



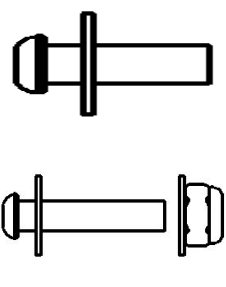
Module number  
PE board door (with a small platform wave)

No.	Specification	Name	Qty	Picture
1	M6*35	Inner hexagonal bolt	2	
2	M6	nut	2	
3	M10*45	Plum blossom cored bolt	2	
4	M10*2	Washer	11	
5	M10	Screw nut	6	
6	M10*40	Plum blossom cored bolt	2	
7	M10*35	Plum blossom cored	3	
8				
9				
10				

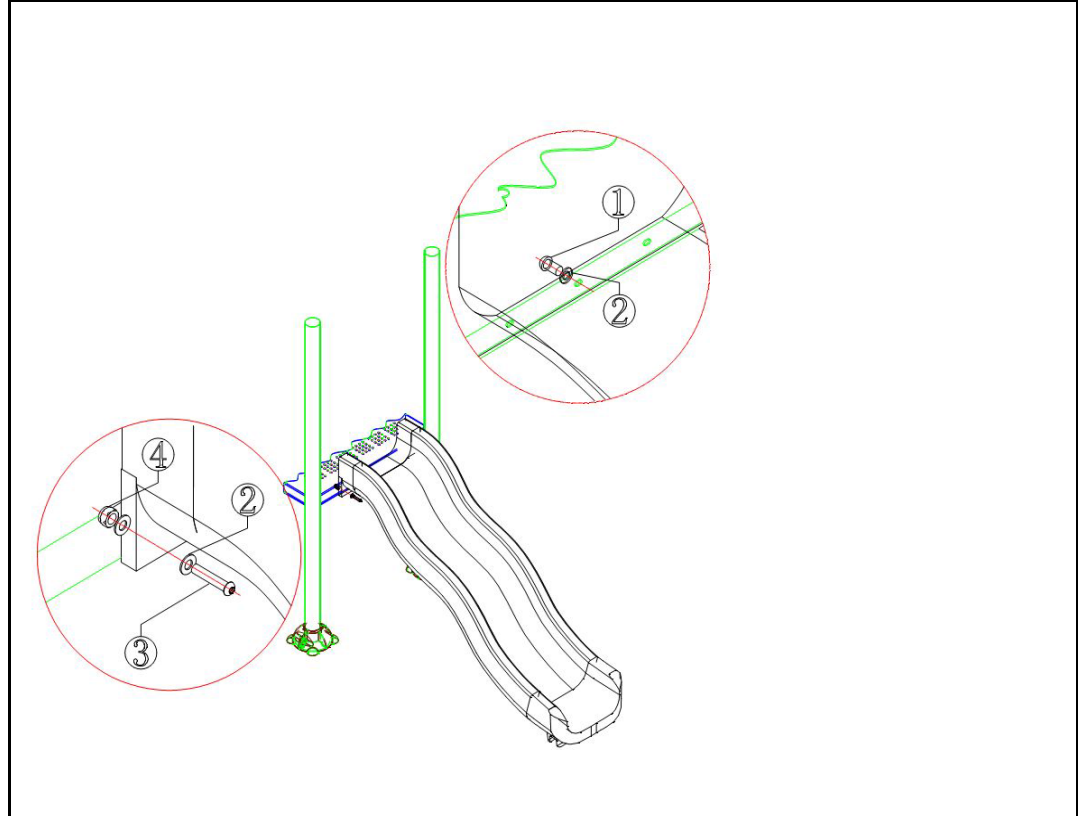
Remark

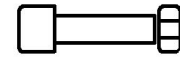
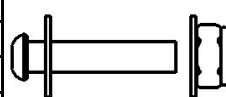


Module number  
(60) Small wave

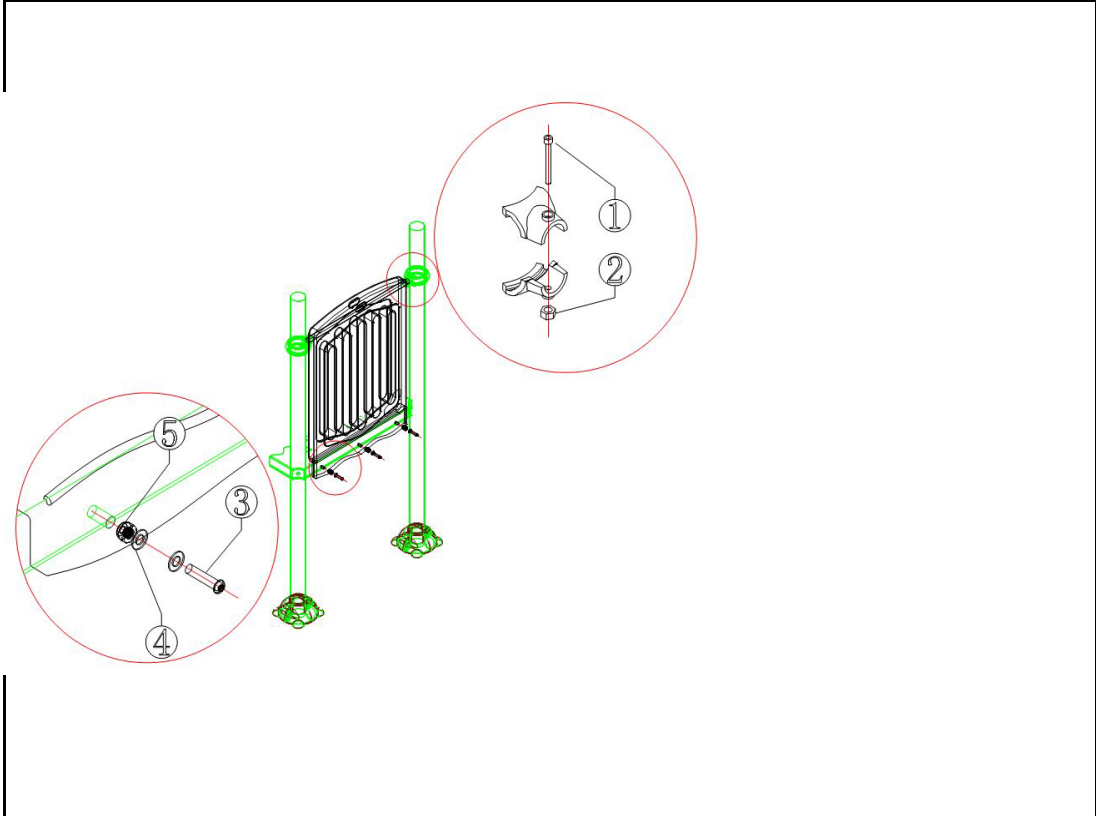
No.	Specification	Name	Qty	Picture
1	M10*20	Plum blossom cored bolt	1	
2	M10*2	Washer	5	
3	M10*45	Plum blossom cored bolt	2	
4	M10	Screw nut	2	
5				
6				
7				
8				
9				
10				

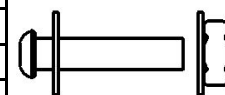
Remark



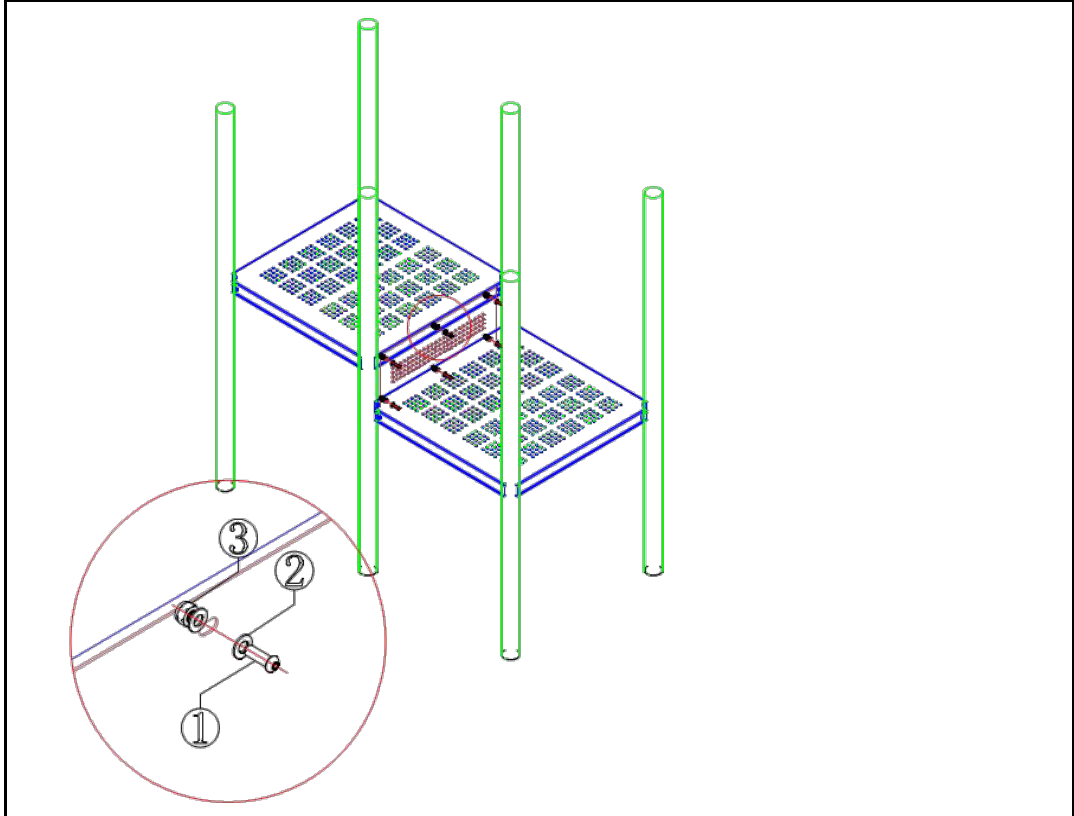
Module number Small gates				
No.	Specification	Name	Qty	Picture
1	M6*45	Inner hexagonal bolt	2	
2	M6	nut	2	
3	M10*40	Plum blossom cored bolt	3	
4	M10*2	Washer	6	
5	M10	紧固nut	3	
6				
7				
8				
9				
10				

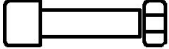
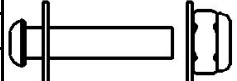
Remark



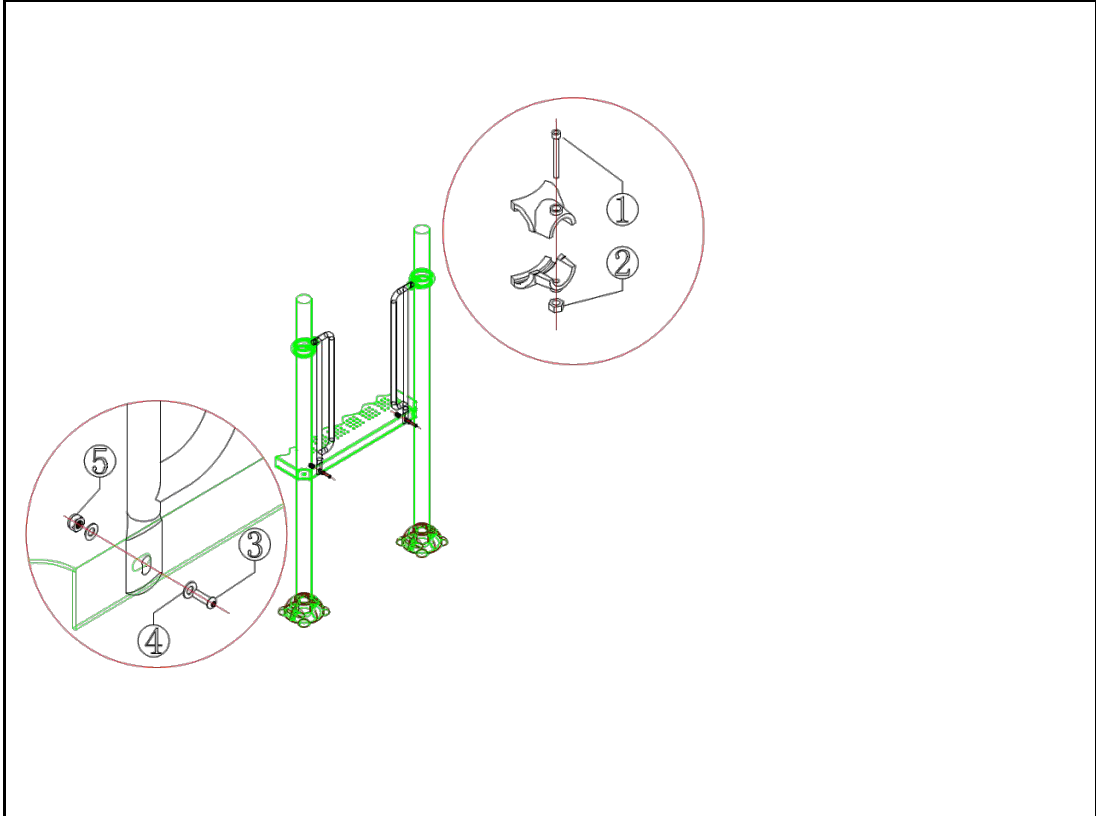
Module number 25 High Small baffles				
No.	Specification	Name	Qty	Picture
1	M10*25	Plum blossom cored bolt	6	
2	M10*2	Washer	12	
3	M10	Screw nut	6	
4				
5				
6				
7				
8				
9				
10				

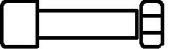
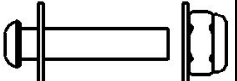
Remark



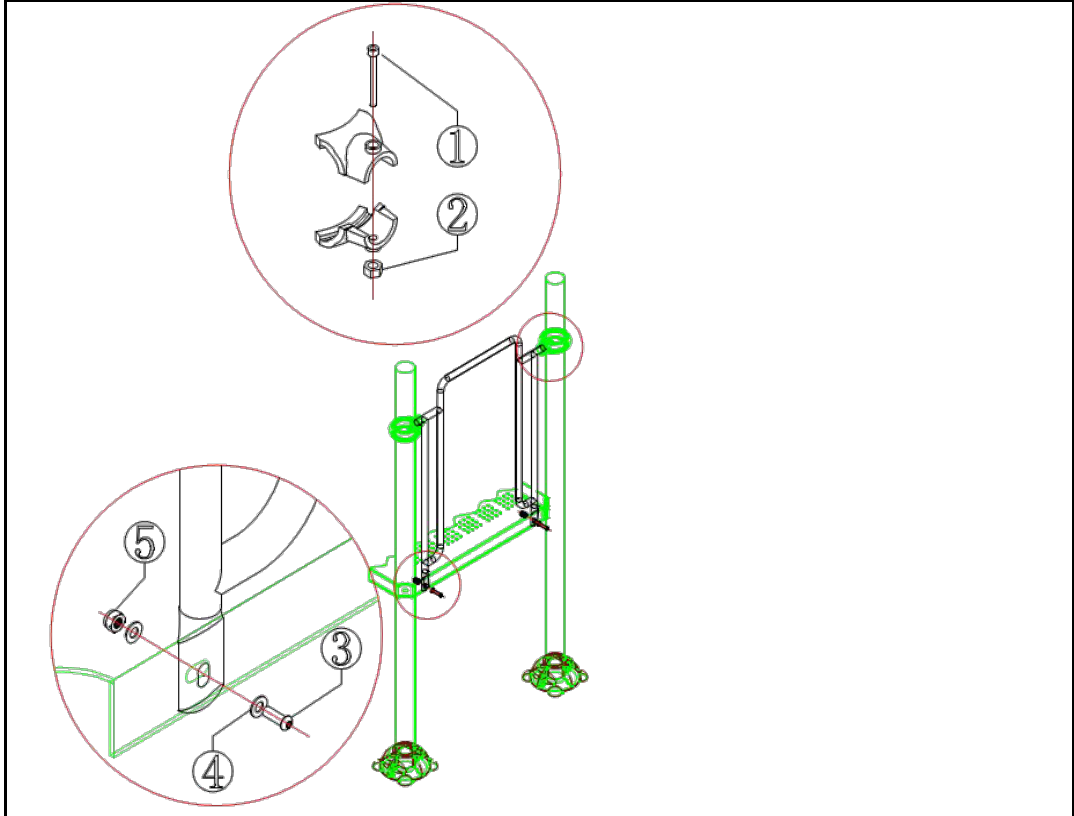
Module number Seven words armrest				
No.	Specification	Name	Qty	Picture
1	M6*45	Inner hexagonal bolt	2	
2	M6	nut	2	
3	M10*25	Plum blossom cored bolt	2	
4	M10*2	Washer	4	
5	M10	Screw nut	2	
6				
7				
8				
9				
10				

Remark



Module number Small round circle climb door				
No.	Specification	Name	Qty	Picture
1	M6*45	Inner hexagonal bolt	4	
2	M6	nut	4	
3	M10*25	Plum blossom cored bolt	2	
4	M10*2	Washer	4	
5	M10	Screw nut	2	
6				
7				
8				
9				
10				

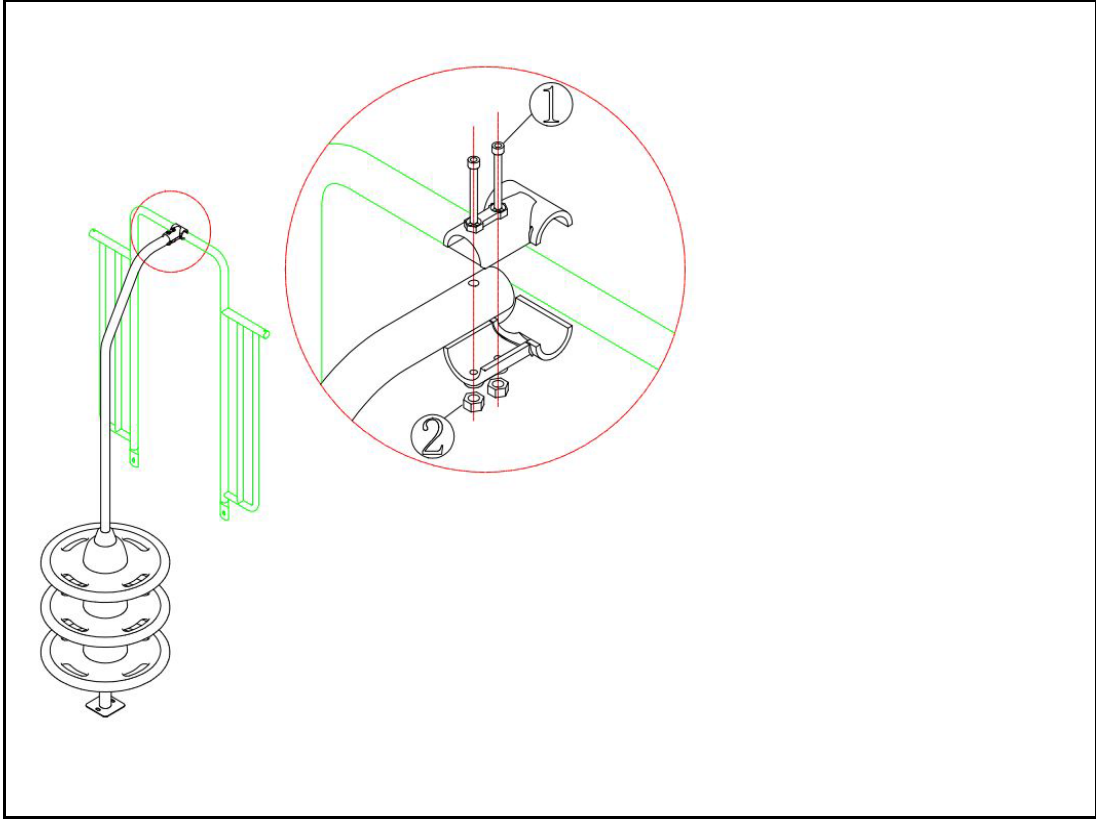
Remark



Module number  
Round climb

No.	Specification	Name	Qty	Picture
1	M6*45	Inner hexagonal bolt	2	
2	M6	nut	2	
3				
4				
5				
6				
7				
8				
9				
10				

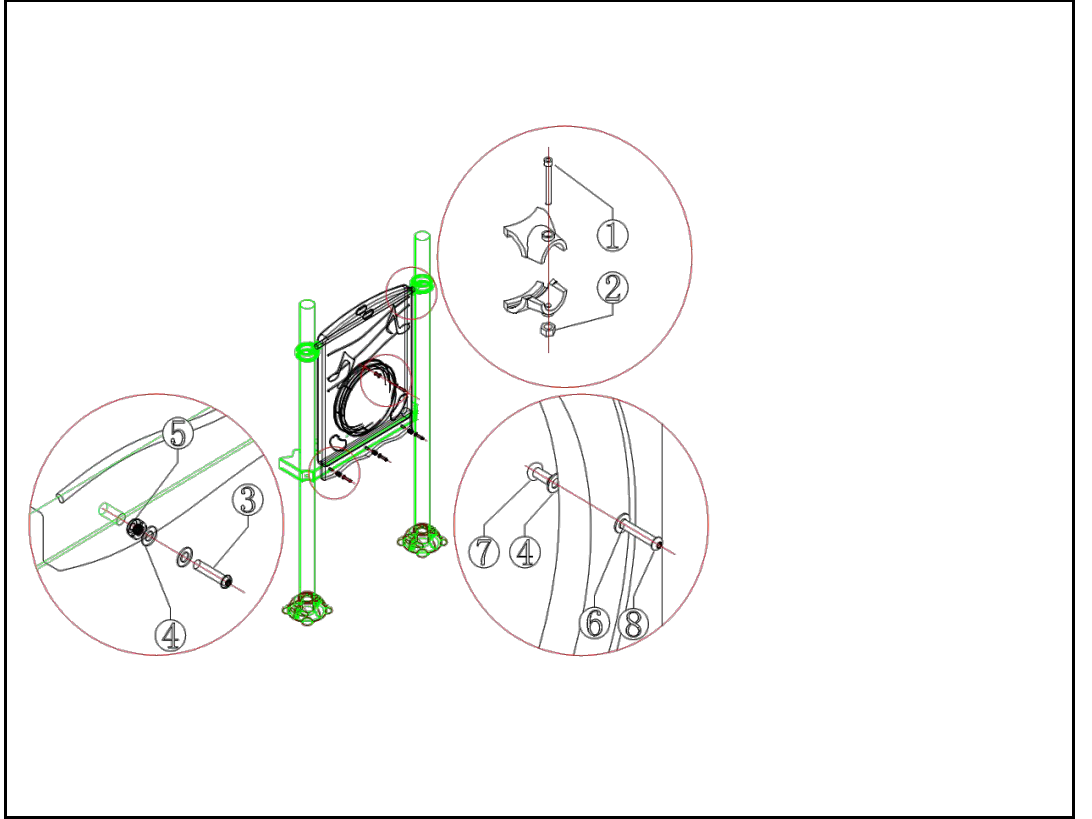
Remark



Module number  
Small round door

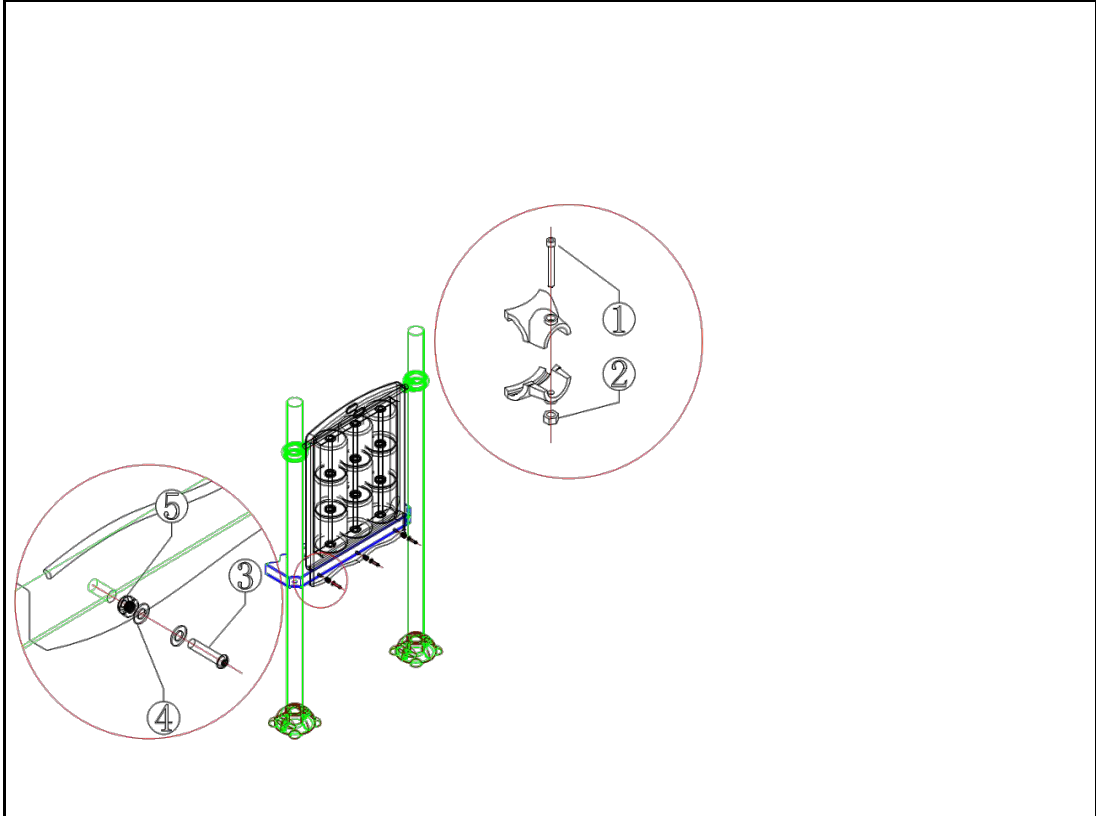
No.	Specification	Name	Qty	Picture
1	M6*45	Inner hexagonal bolt	4	
2	M6	nut	4	
3	M10*40	Plum blossom cored bolt	3	
4	M10*2	Washer	14	
5	M10	Screw nut	3	
6	M8*2	Washer	8	
7	M10*25	Two headnut	8	
8	M8*40	Two head screw	8	
9				
10				

Remark



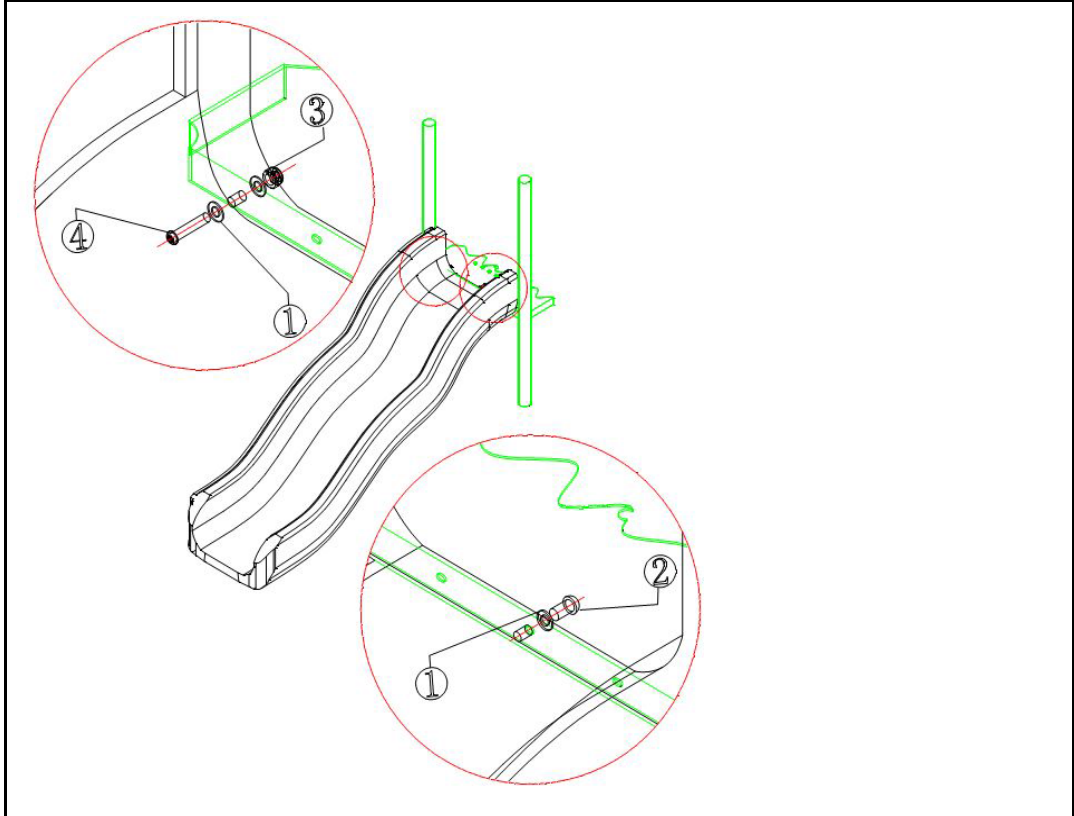
Module number Small digital door				
No.	Specification	Name	Qty	Picture
1	M6*45	Inner hexagonal bolt	2	
2	M6	nut	2	
3	M10*40	Plum blossom cored bolt	3	
4	M10*2	Washer	6	
5	M10	Screw nut	3	
6				
7				
8				
9				
10				

Remark



Module number Small wave (80)				
No.	Specification	Name	Qty	Picture
1	M10*2	Washer	5	
2	M10*20	Plum blossom cored bolt	1	
3	M10	Fasten nut	2	
4	M10*40	Plum blossom cored bolt	2	
5				
6				
7				
8				
9				
10				

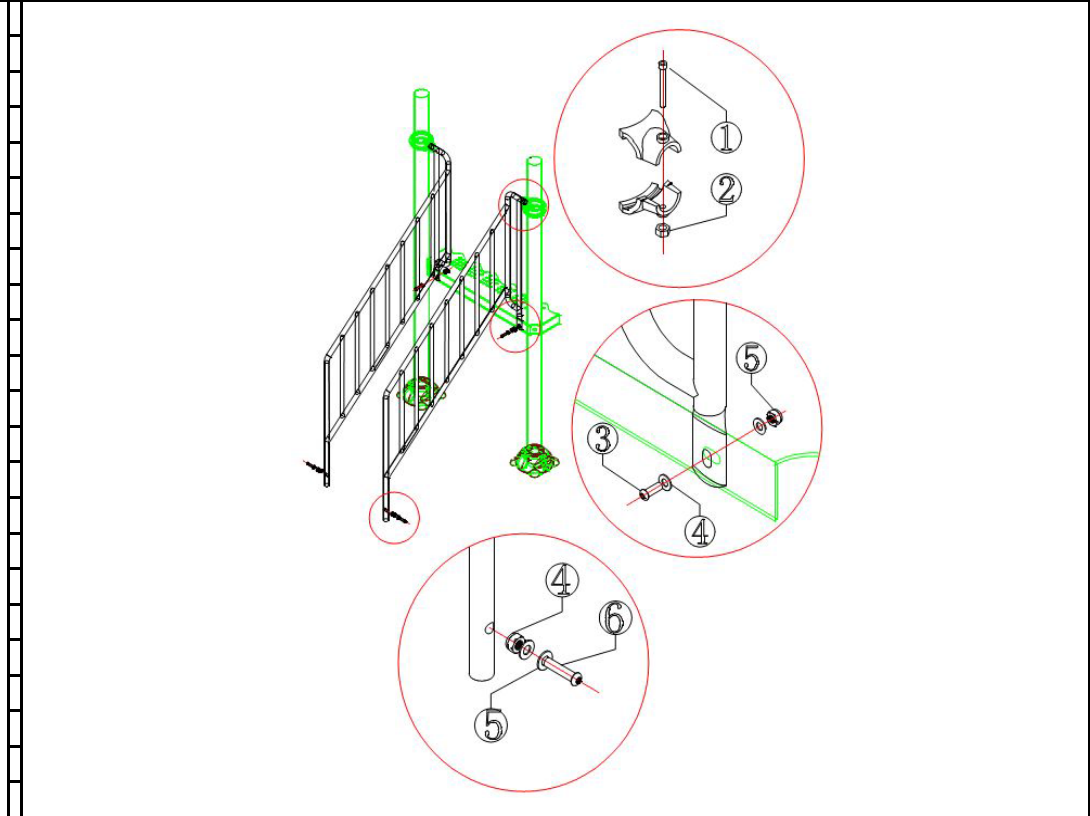
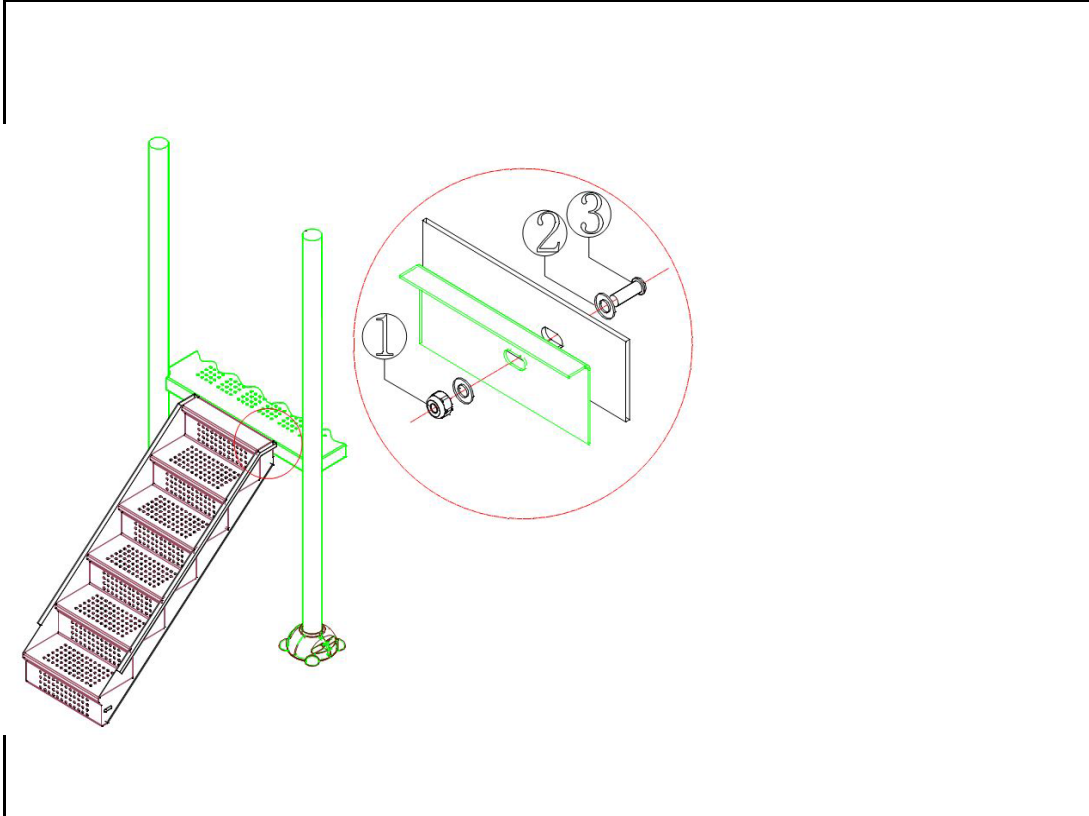
Remark





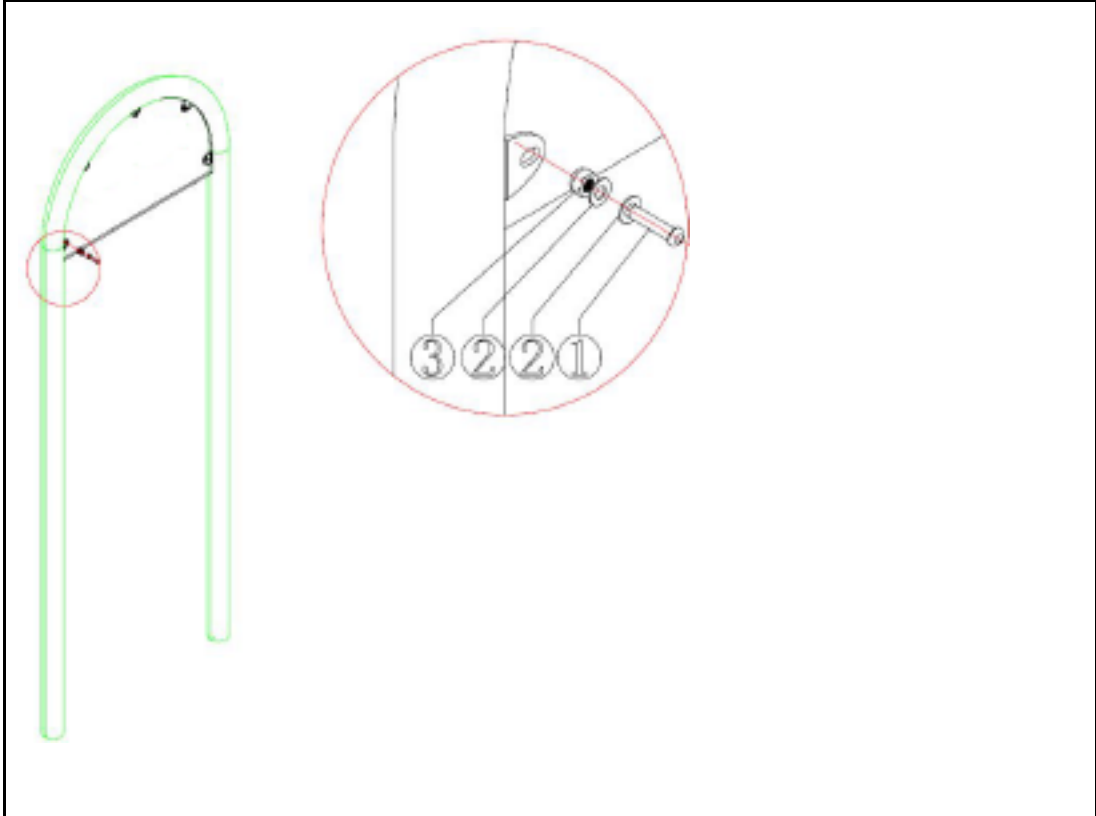
Module number 80Floor six-step ladder					Module number 80Floor six-step ladder armrest				
No.	Specification	Name	Qty	Picture	No.	Specification	Name	Qty	Picture
1	M10	Screw nut	3		1	M6*45	Inner hexagonal bolt	2	
2	M10*2	Washer	6		2	M6	nut	2	
3	M10*25	Plum blossom cored bolt	3		3	M10*25	Plum blossom cored bolt	2	
4					4	M10	Screw nut	4	
5					5	M10*2	Washer	8	
6					6	M10*55	Plum blossom cored bolt	2	
7					7				
8					8				
9					9				
10					10				

Remark



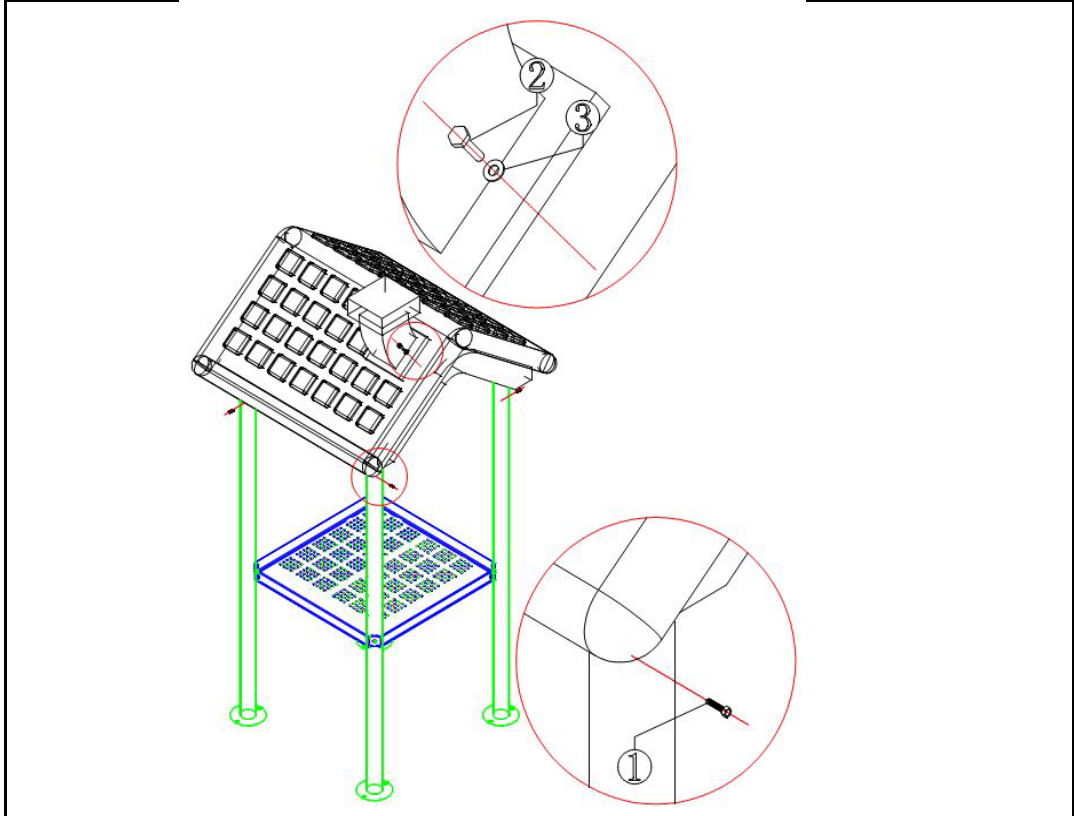
Module number Arched columns with PE board				
No.	Specification	Name	Qty	Picture
1	M10*35	Plum blossom cored	5	
2	M10*20	Washer	10	
3	M10	Screw nut	5	
4				
5				
6				
7				
8				
9				
10				

Remark



Module number Luxury small roof				
No.	Specification	Name	Qty	Picture
1	M5.5*55	self-tapping screw	4	
2	M10*40	outer Hexagonal bolt	2	
3	M10*2	Washer	2	
4				
5				
6				
7				
8				
9				
10				

Remark



Module number  
The new small bees (with 76 # tube)

No.	Specification	Name	Qty	Picture
1	Inner hexagonal bolt	M6*45	2	
2	nut	M6	2	
3				
4				
5				
6				
7				
8				
9				
10				

Remark

Small steering wheel mounted fasteners

No.	Name	Specification	Qty	Picture
1	M6*45	Inner hexagonal bolt	1	
2	M6*2	nut	1	
3	M10*25	Plum blossom cored	3	
4	M10*2	Washer	6	
5	M10*2	Screw nut	3	
6				
7				
8				
9				
10				

Remark

