

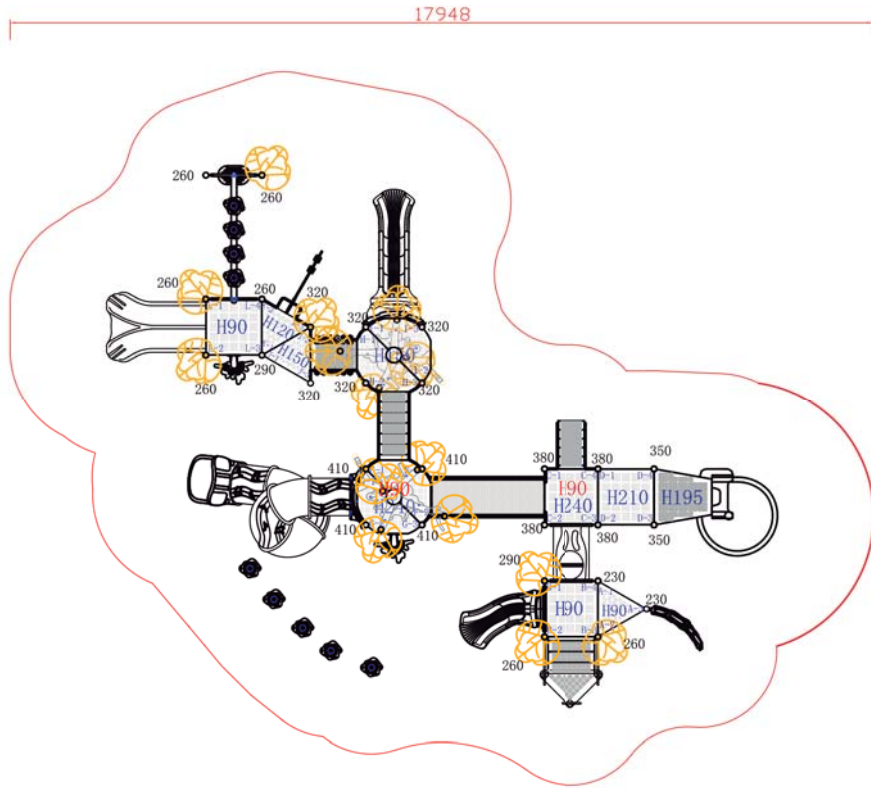


Última actualización 28/12/2017
Versión 1.0

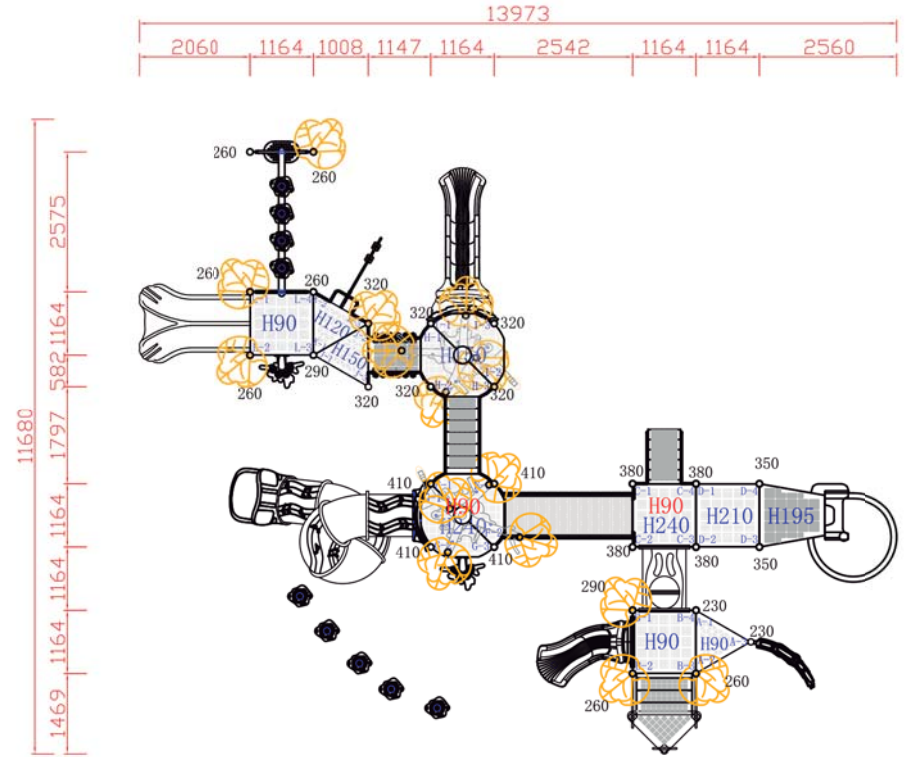
*IMAGEN REFERENCIAL




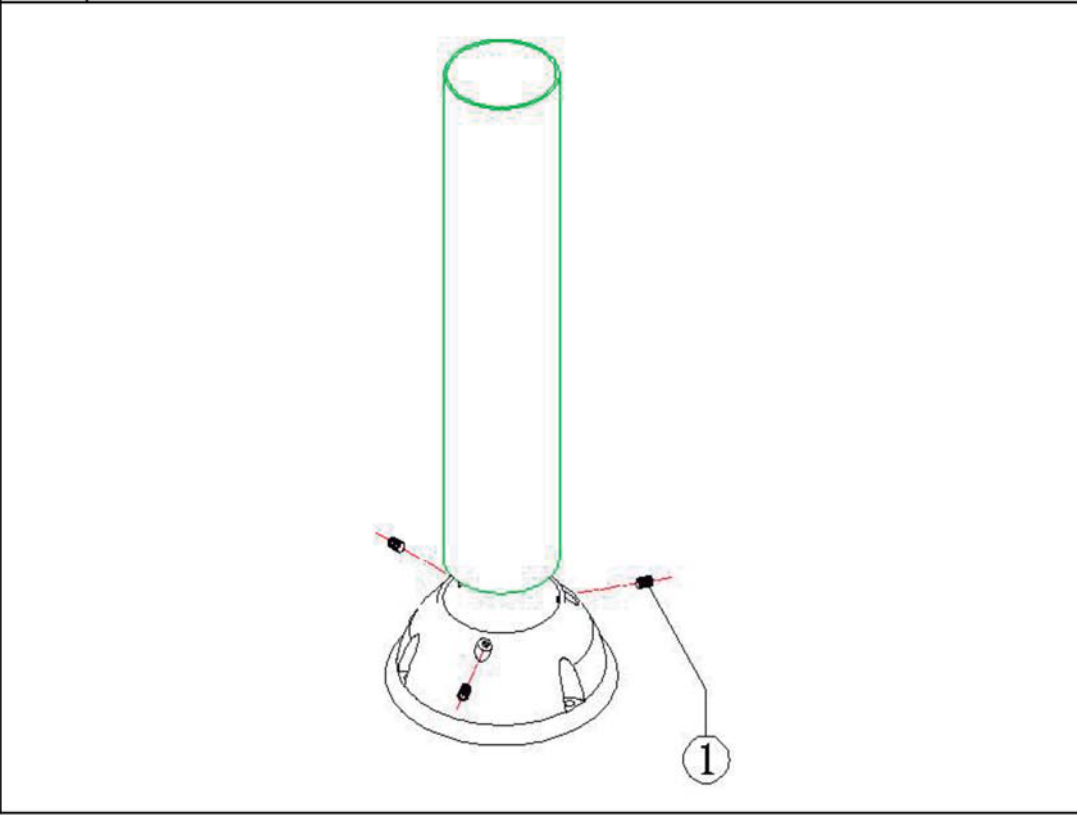
safetyarea :

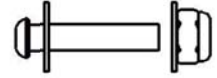


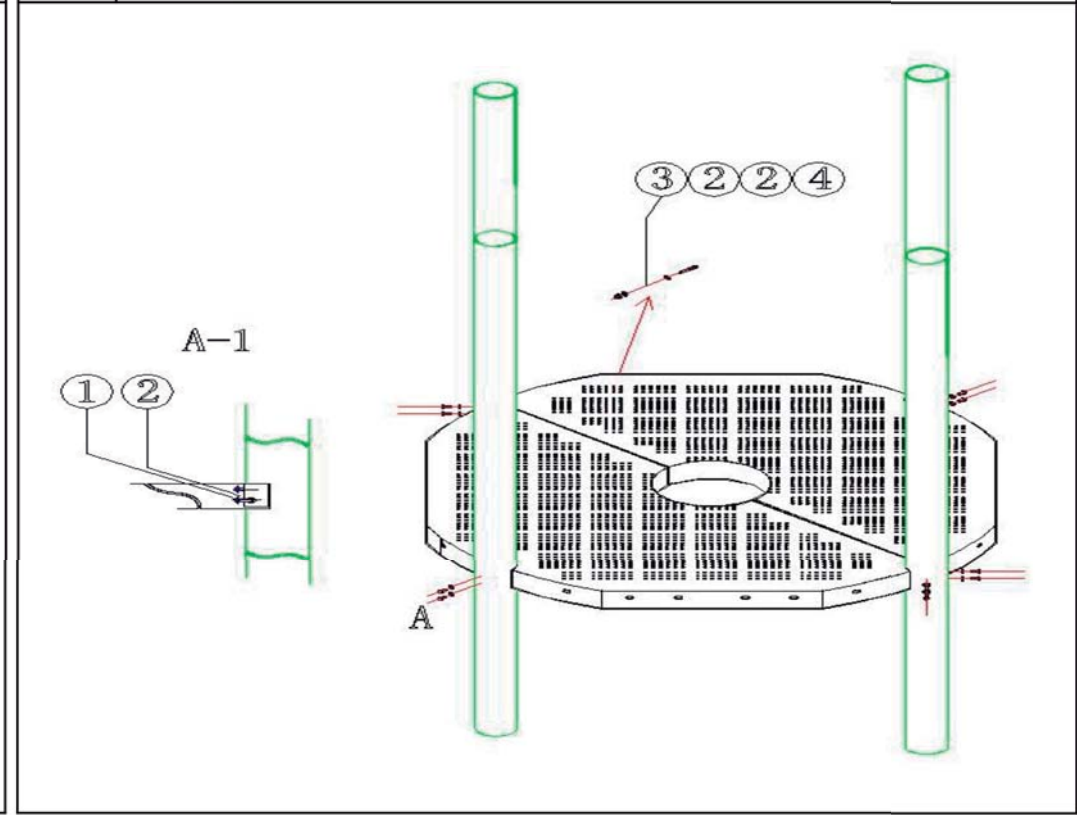
detailsize

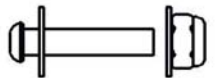


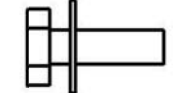
Module number Footdisk				
No.	Name	Specification	Quantity	Picture
1	jackscrew	M8	3	
2				
3				
4				
5				
6				
7				
8				
9				
10				
Remark				

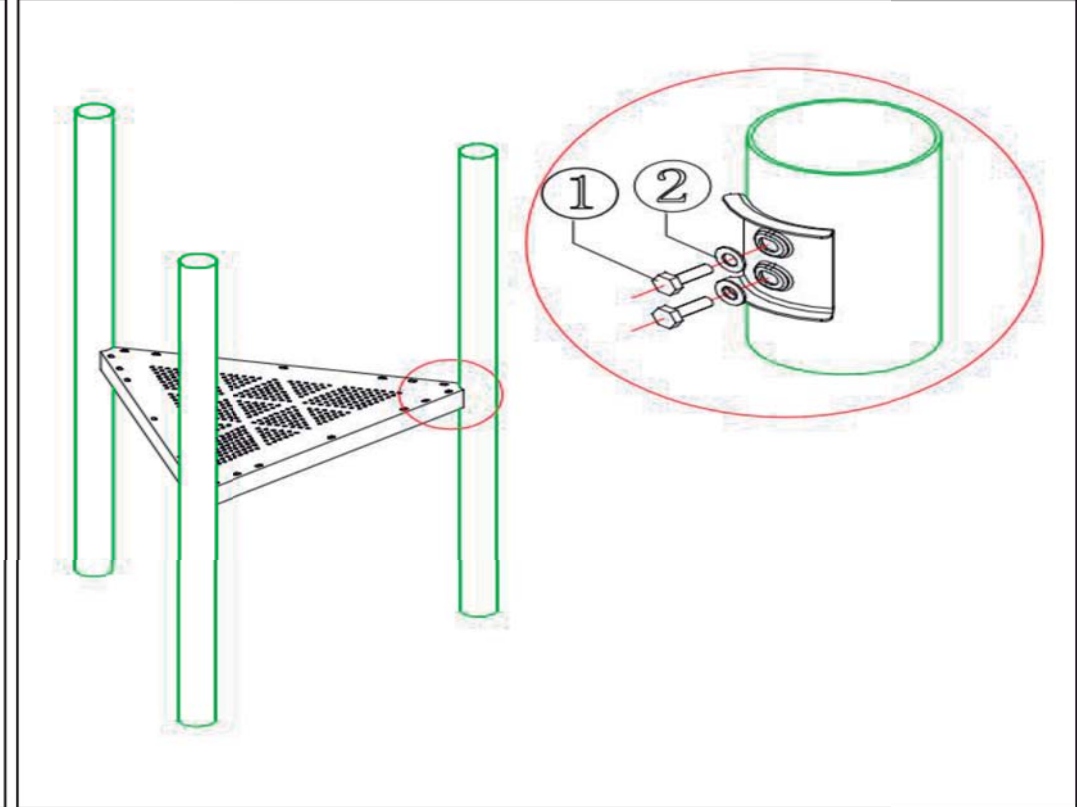
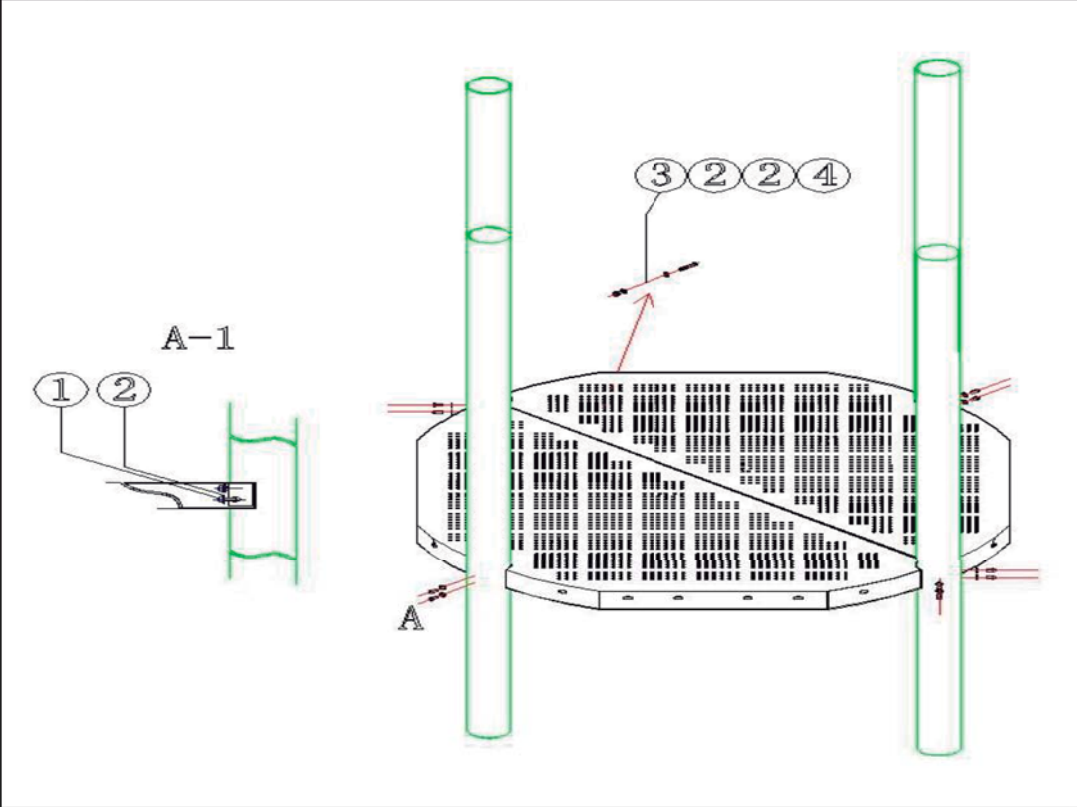


Module number Circular platform (sheet metal, middle Burrows)				
No.	Name	Specification	Qty	Picture
1	Plum blossom cored bolt	M10*30	12	
2	Washer	M10*2	18	
3	Plum blossom cored bolt	M10*25	6	
4	Screwnut	M10	6	
5				
6				
7				
8				
9				
10				
Remark				

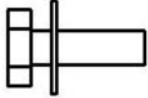


Module number Circular platform (sheet metal)				
No.	Name	Specification	Qty	Picture
1	Plum blossom cored bolt	M10*30	12	
2	Washer	M10*2	20	
3	Plum blossom cored bolt	M10*25	7	
4	Screwnut	M10	7	
5				
6				
7				
8				
9				
10				
Remark				

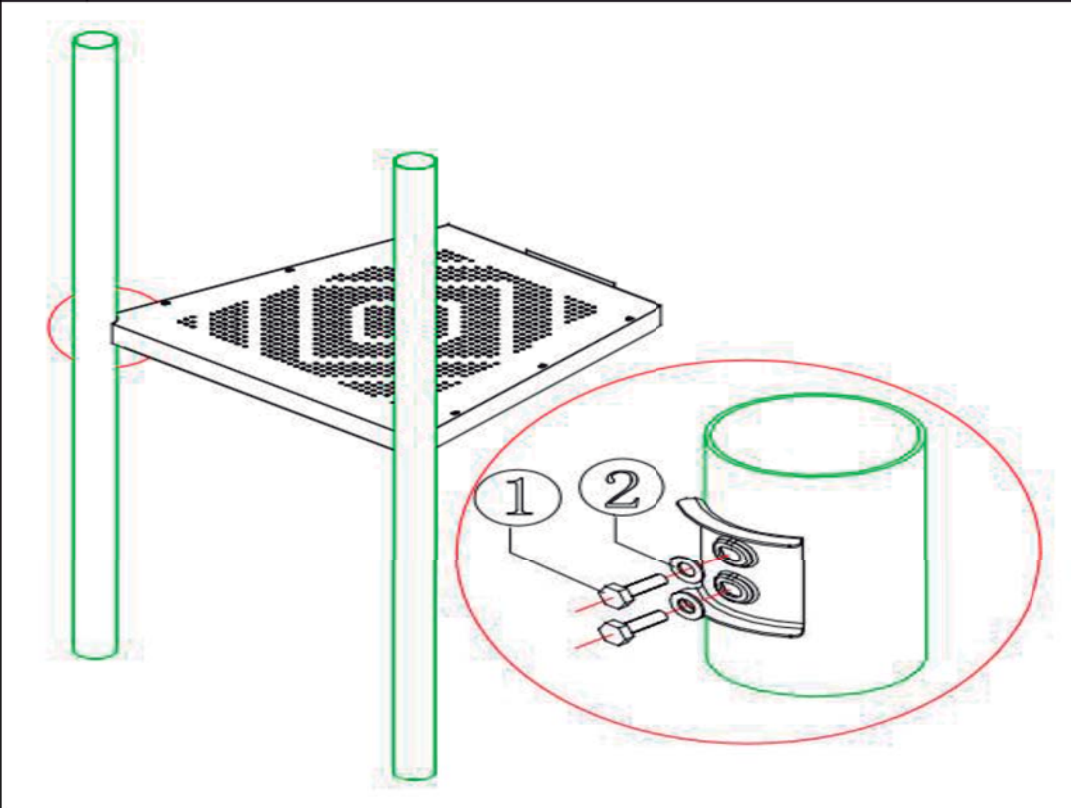
T-P003 Triangle Platform				
No.	Name	Specification	Qty	Picture
1	outer Hexagonal bolt	M10*30	6	
2	Washer	M10*2	6	
3				
4				
5				
6				
7				
8				
9				
10				
Remark				



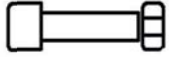

T-P012
 (120) Long oblique S platforms (195 high S slide)

No.	Name	Specification	Qty	Picture
1	outer Hexagonal bolt	M10*30	4	
2	Washer	M10*2	4	
3				
4				
5				
6				
7				
8				
9				
10				

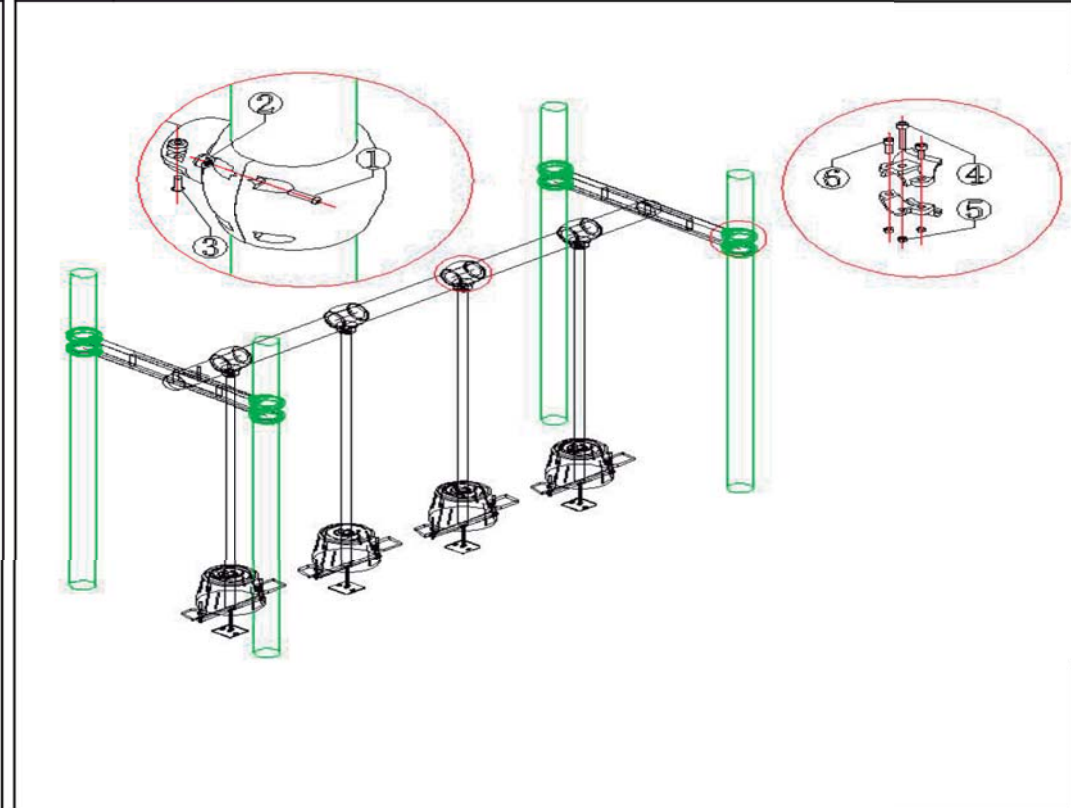
Remark

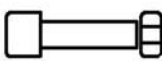


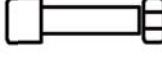
Module number
 Tree Hanging Pile

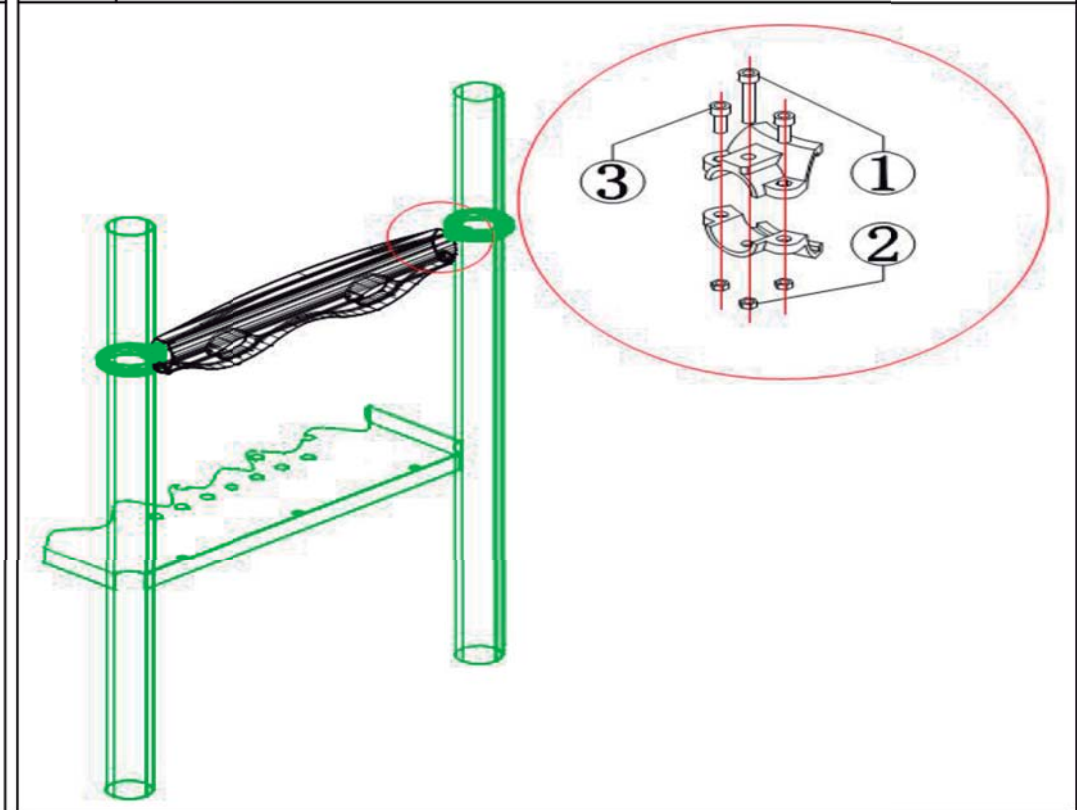
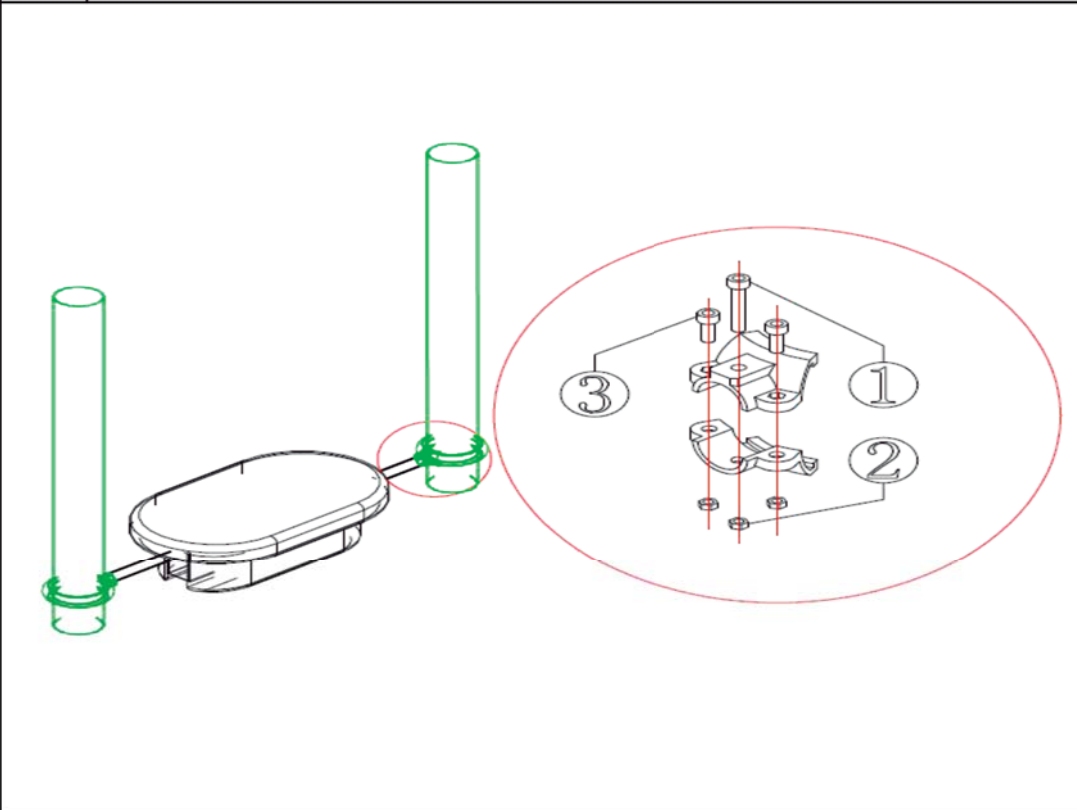
No.	Specification	Name	Qty	Picture
1	M8*30	Inner hexagonal bolt	12	 
2	M8*20	Inner hexagonal bolt	4	
3	M8	Screwnut	8	
4	M6*50	Inner hexagonal bolt	8	
5	M6	Nut	24	
6	M6*16	Inner hexagonal bolt	16	
7				
8				
9				
10				

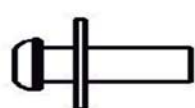
Remark

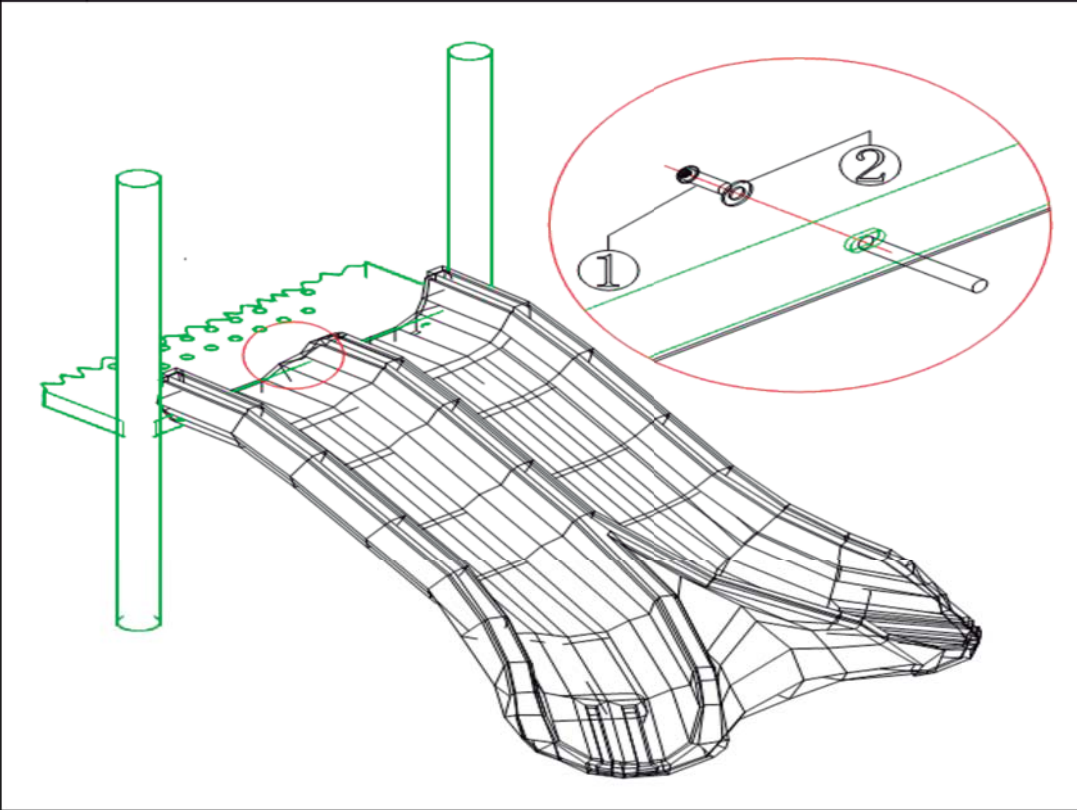


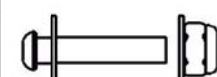
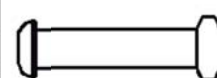
Module number Rectangular pile				
No.	Name	Specification	Qty	Picture
1	M6*50	Inner hexagonal bolt	2	
2	M6*2	Nut	6	
3	M6*16	Inner hexagonal bolt	4	
4				
5				
6				
7				
8				
9				
10				
Remark				

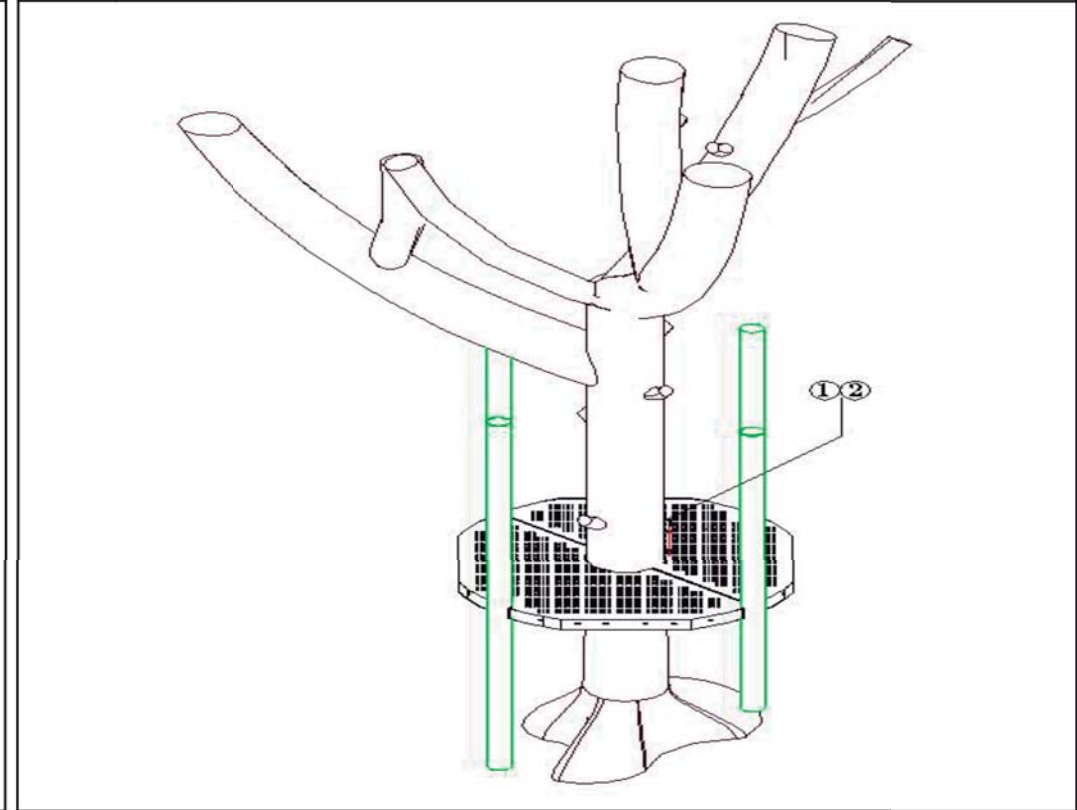
Module number Music double slide doors				
No.	Specification	Name	Qty	Picture
1	M6*45	Inner hexagonal bolt	2	
2	M6	nut	2	
3	M6*14	Inner hexagonal bolt	4	
4				
5				
6				
7				
8				
9				
10				
Remark				

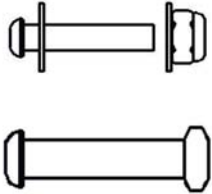


Module number Music Short double slide				
No.	Specification	Name	Qty	Picture
1	M10*20	Plum blossom cored bolt	5	
2	M10*2	Washer	5	
3				
4				
5				
6				
7				
8				
9				
10				
Remark				

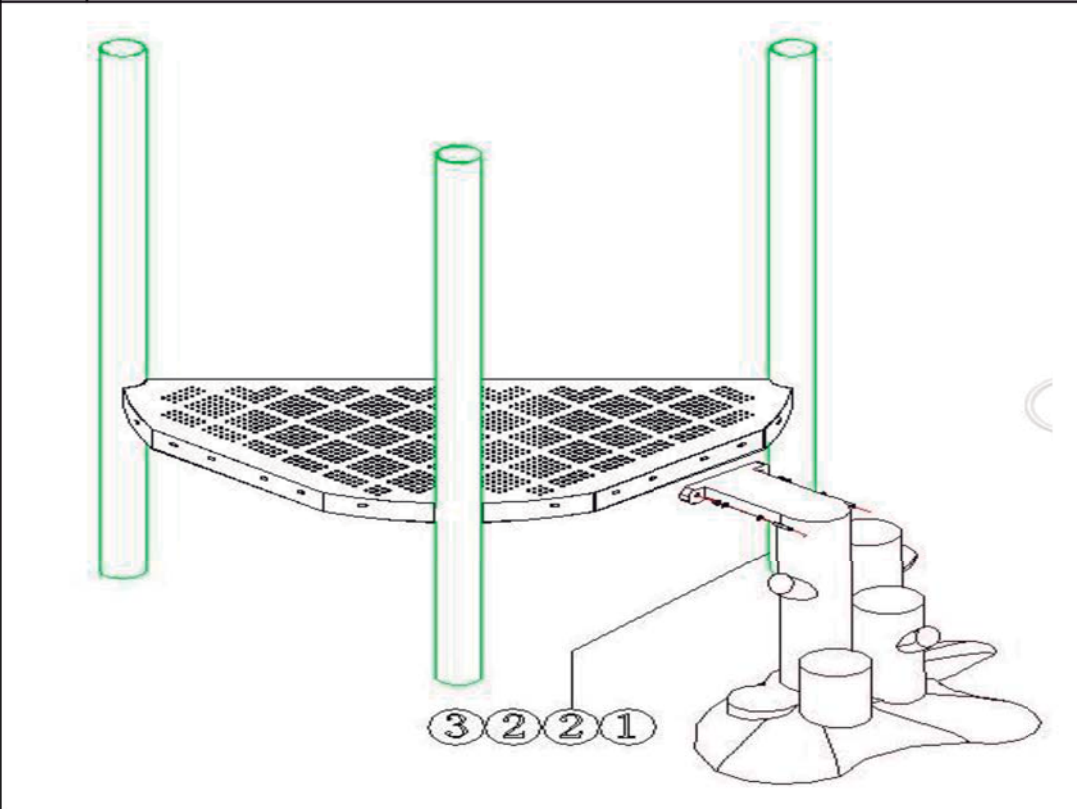


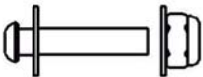
Module number Tree root				
No.	Name	Specification	Qty	Picture
1	Plum blossom cored bolt	M10*25	4	 
2	Washer	M10	4	
3	Expansion screw	M10	4	
4				
5				
6				
7				
8				
9				
10				
Remark				



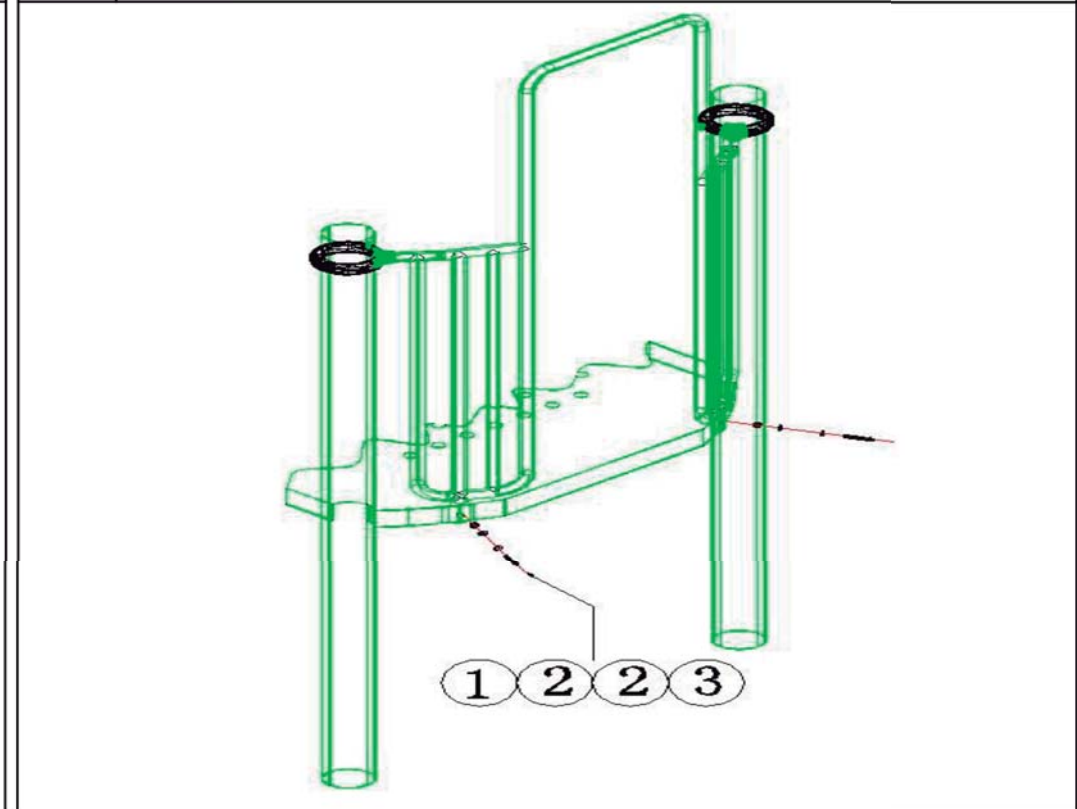
Module number Tree stairs				
No.	Name	Specification	Qty	Picture
1	Plum blossom cored bolt	M10*60	2	
2	Washer	M10	4	
3	Screwnut	M10	2	
4	Expansion screw	M10	3	
5				
6				
7				
8				
9				
10				

Remark

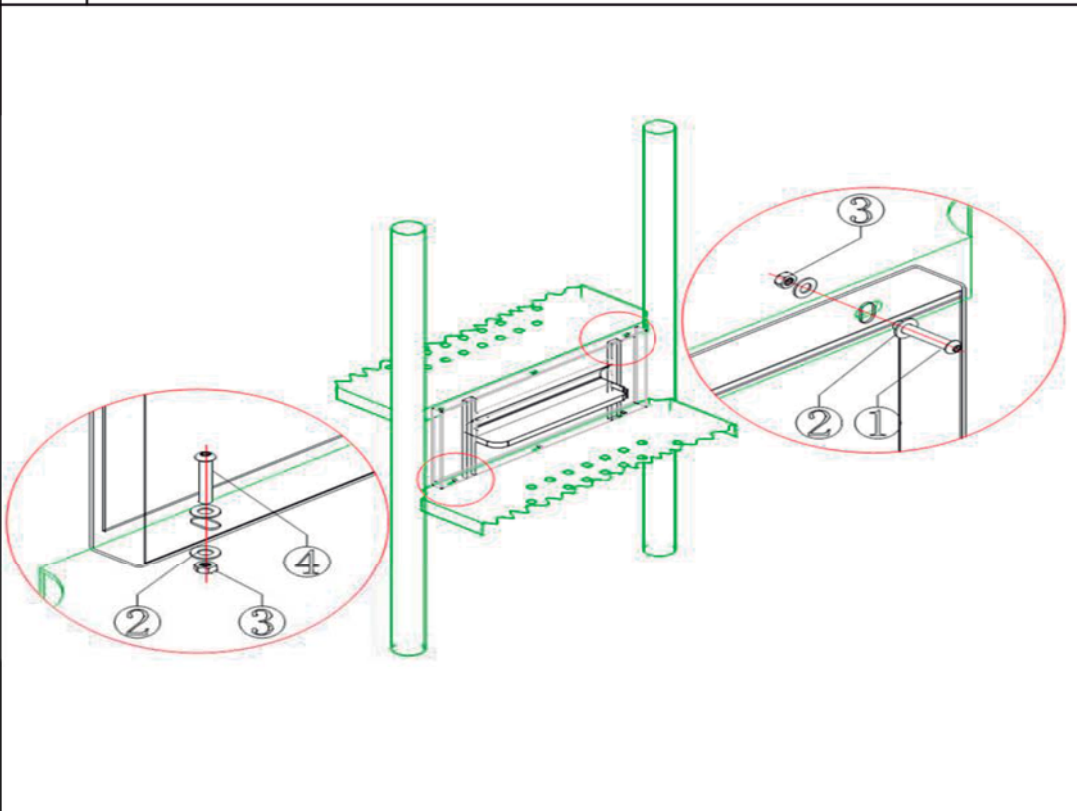


Module number Curved door ring				
No.	Name	Specification	Qty	Picture
1	Plum blossom cored bolt	M10*25	2	
2	Washer	M10	4	
3	Screwnut	M10	2	
4				
5				
6				
7				
8				
9				
10				

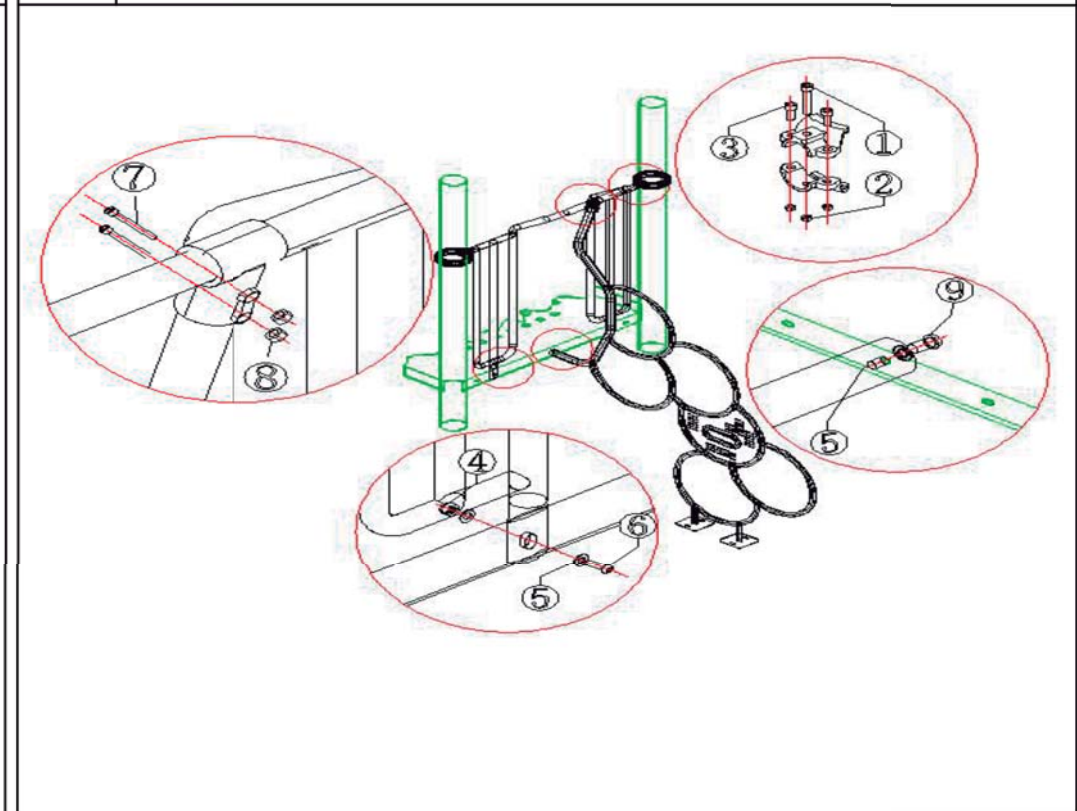
Remark



Module number One Step ladder				
No.	Specification	Name	Qty	Picture
1	M10*20	Plum blossom cored bolt	3	
2	M10*2	Washer	9	
3	M10	Fasten nut	3	
4	M10*55	Plum blossom cored bolt	3	
5				
6				
7				
8				
9				
10				
Remark				



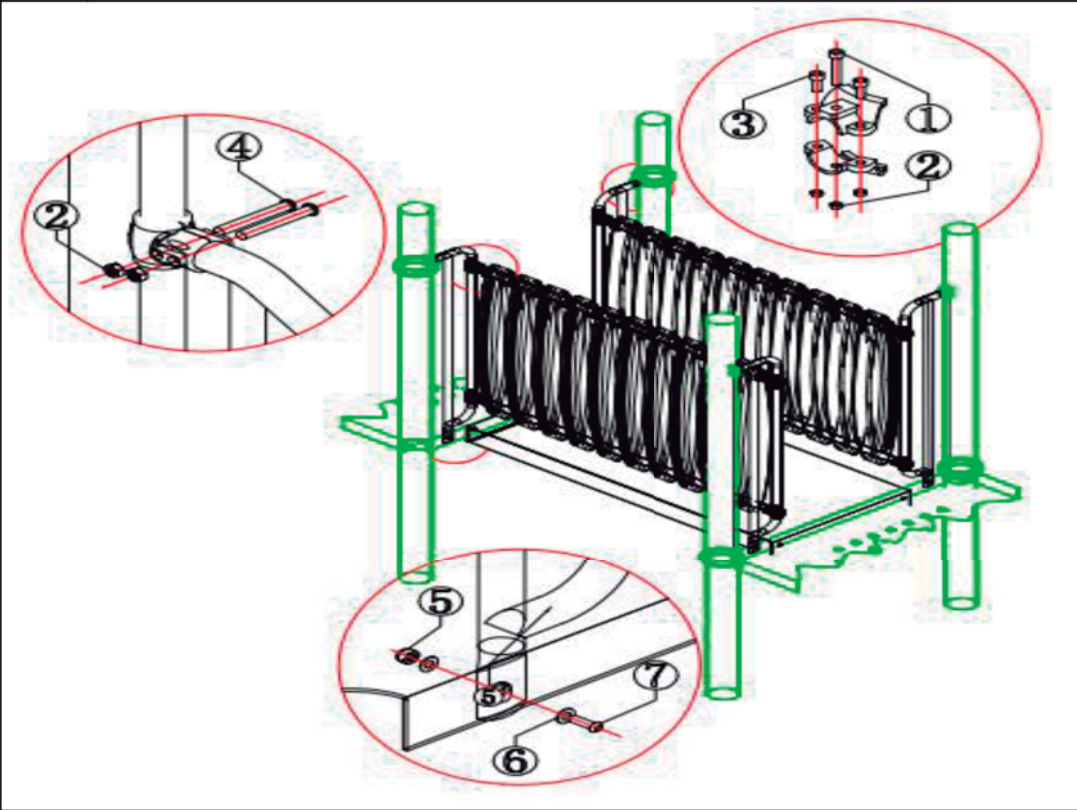
Module number Circular ladder				
No.	Specification	Name	Qty	Picture
1	M6*50	Inner hexagonal bolt	2	
2	M6	nut	6	
3	M6*16	Inner hexagonal bolt	4	
4	M10	Screwnut	2	
5	M10*2	Washer	5	
6	M10*25	Plum blossom cored bolt	2	
7	M6*55	Inner hexagonal bolt	2	
8	M6	nut	2	
9	M10*20	Plum blossom cored bolt	1	
10				
Remark				



T-F025-01
Kaka fence short armrest

No.	Specification	Name	Qty	Picture
1	M6*48	Inner hexagonal bolt	4	
2	M6	nut	44	
3	M6*16	Inner hexagonal bolt	8	
4	M6*50	Inner hexagonal bolt	16	
5	M10	Screwnut	4	
6	M10*2	Washer	8	
7	M10*25	Plum blossom cored bolt	4	
8				
9				
10				

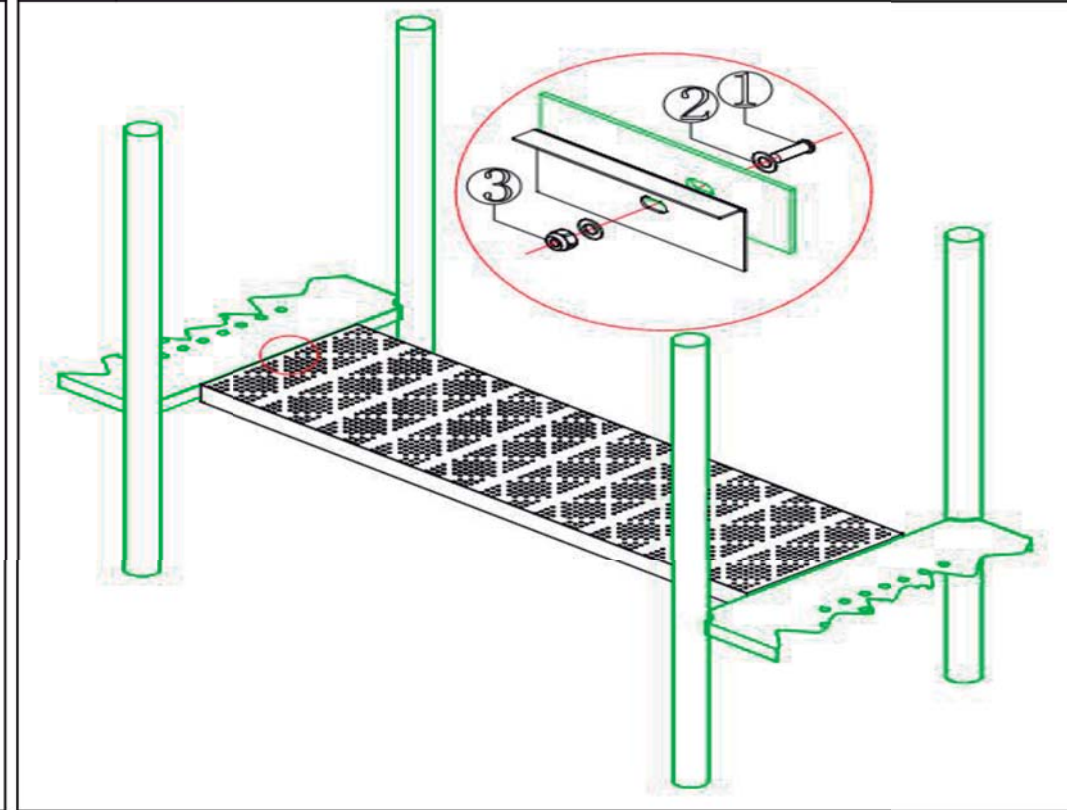
Remark

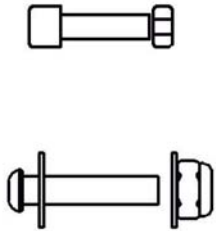


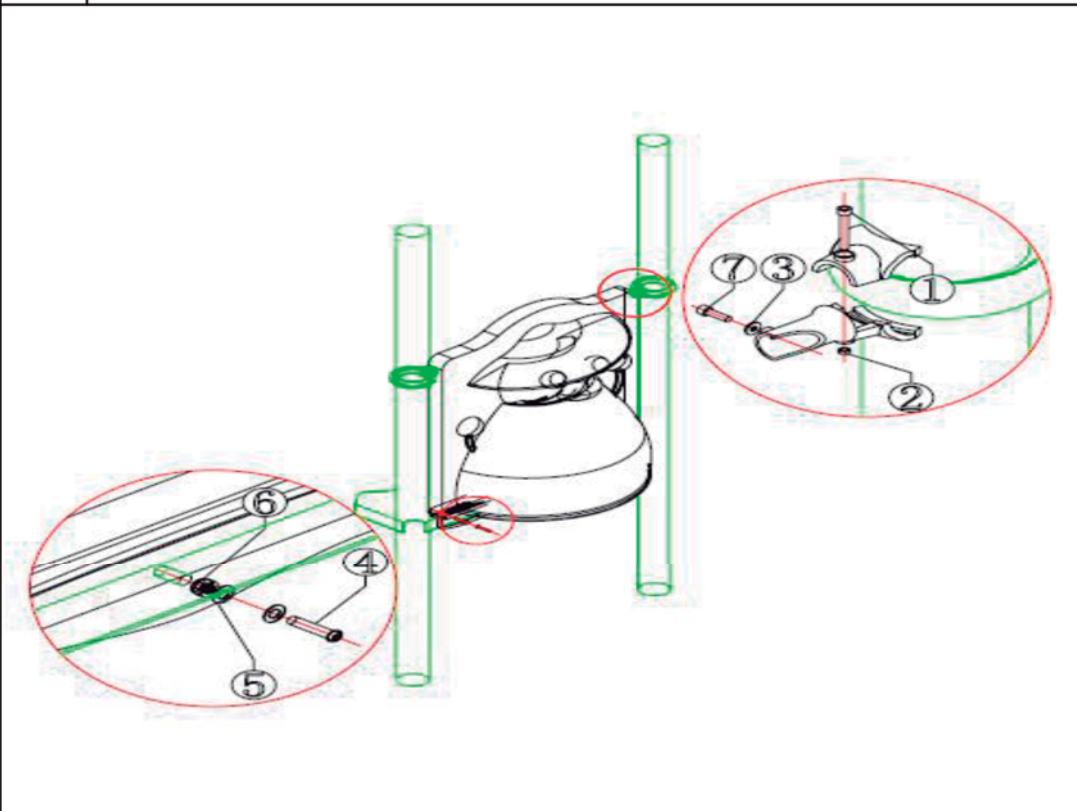
T-P017
level bridge

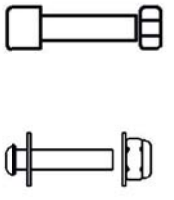
No.	Name	Specification	Qty	Picture
1	Plum blossom cored bolt	M10*25	6	
2	Washer	M10*2	12	
3	Screwnut	M10	6	
4				
5				
6				
7				
8				
9				
10				

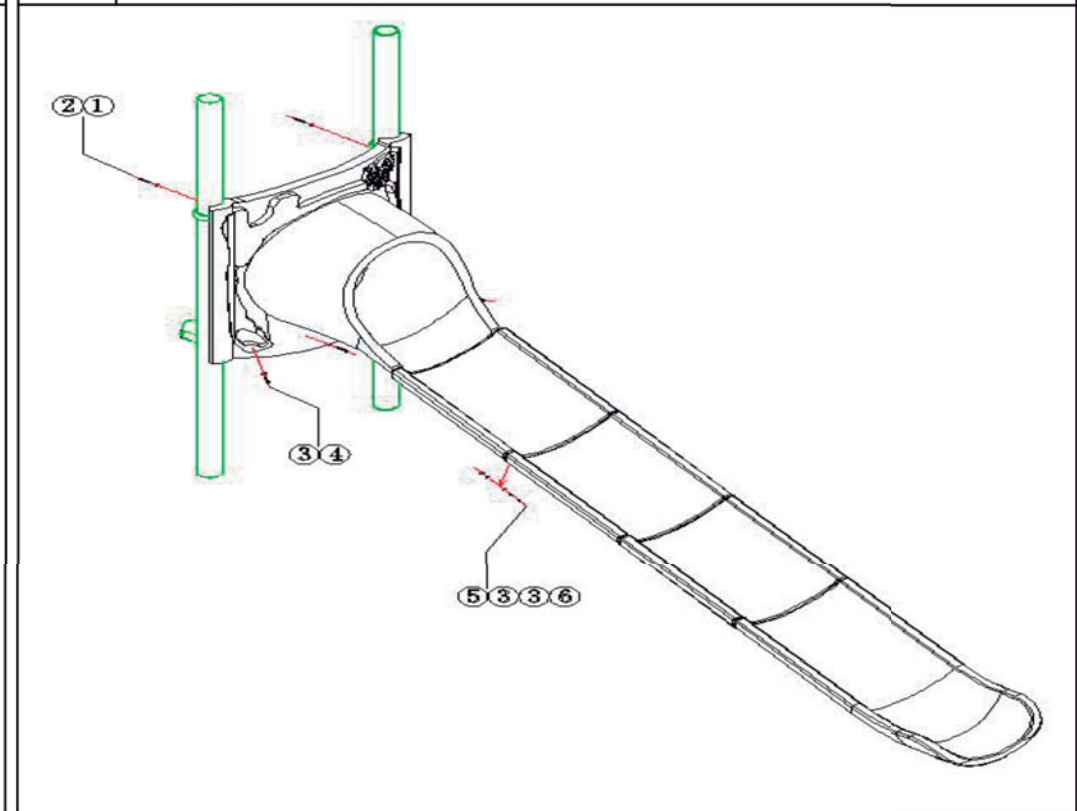
Remark



Module number Scarecrow with side door (door buckle)				
No.	Specification	Name	Qty	Picture
1	M6*45	Inner hexagonal bolt	2	
2	M6	Nut	2	
3	M8*2	Washer	2	
4	M10*35	Plum blossom cored bolt	3	
5	M10*2	Washer	6	
6	M10	Screwnut	3	
7	M8*20	Inner hexagonal bolt	2	
8				
9				
10				
Remark				

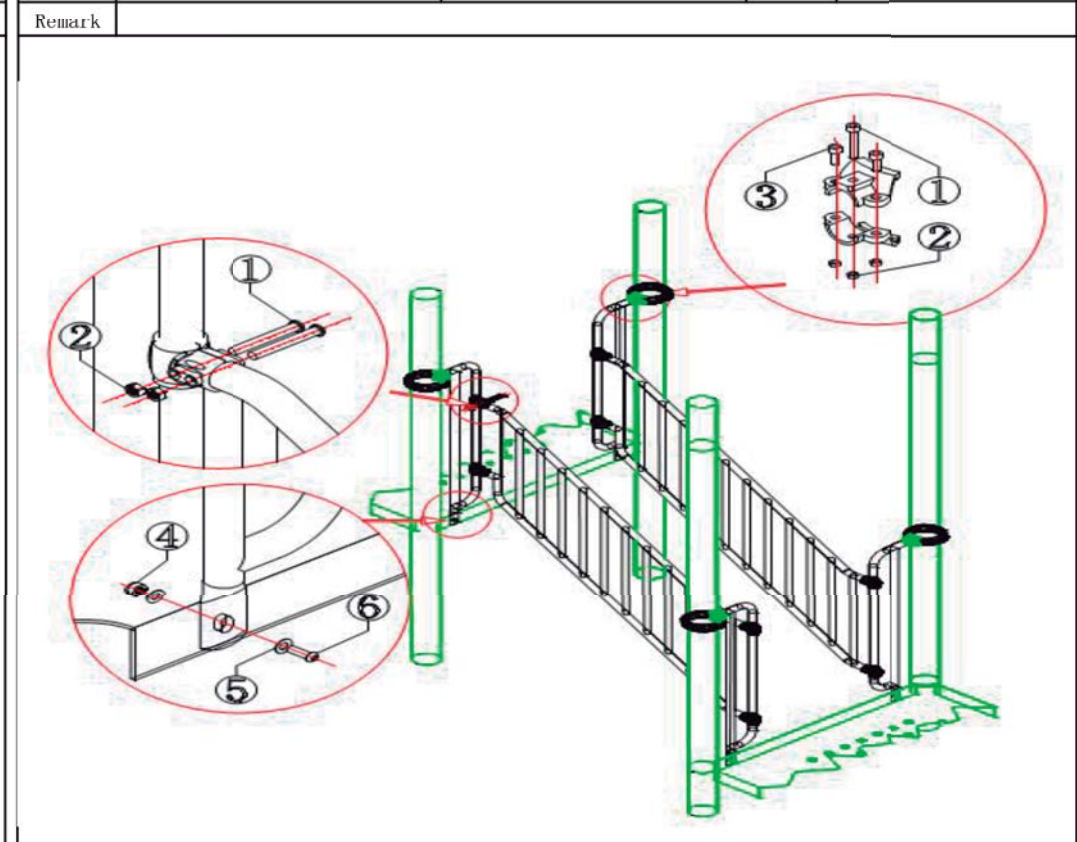
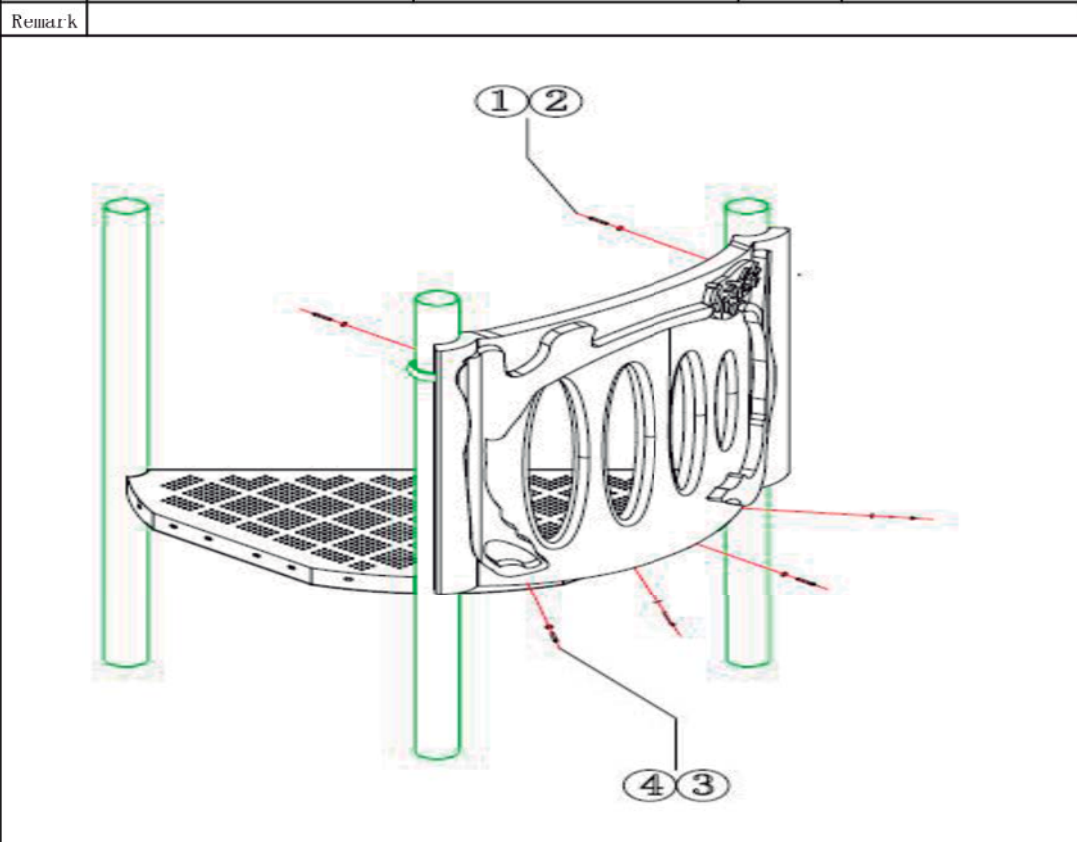


Module number spliced slides				
No.	Specification	Name	Qty	Picture
1	Inner hexagonal bolt	M8*20	2	
2	Washer	M8	2	
3	Washer	M10	52	
4	Plum blossom cored bolt	M10*20	4	
5	Plum blossom cored bolt	M10*60	24	
6	Screwnut	M10	24	
7				
8				
9				
10				
Remark				




Module number Tree Gates				
No.	Name	Specification	Qty	Picture
1	Plum blossom cored bolt	M8*20	2	
2	Washer	M8	2	
3	Washer	M10	4	
4	Plum blossom cored bolt	M10*20	4	
5				
6				
7				
8				
9				
10				
Remark				

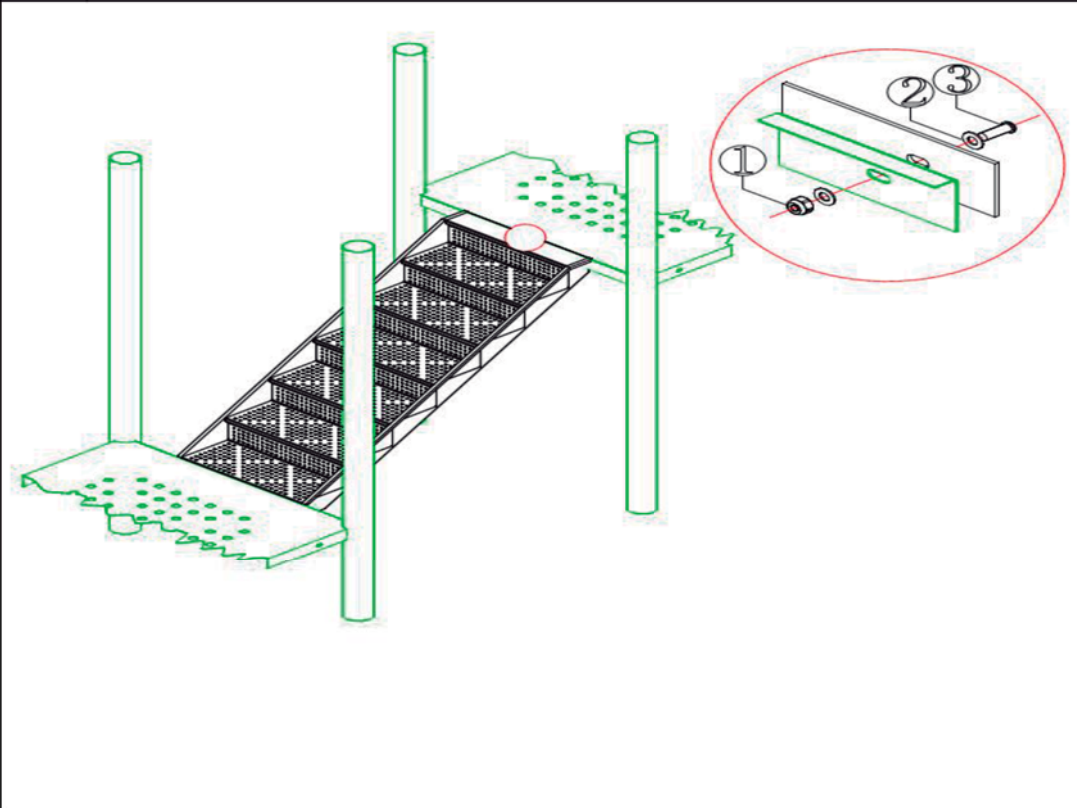
T-F006 90 Platform six stair armrest				
No.	Specification	Name	Qty	Picture
1	M6*50	Inner hexagonal bolt	20	
2	M6	nut	28	
3	M6*16	Inner hexagonal bolt	8	
4	M10	Screwnut	4	
5	M10*2	Washer	8	
6	M10*25	Plum blossom cored bolt	4	
7				
8				
9				
10				
Remark				



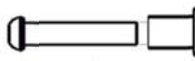
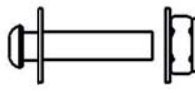
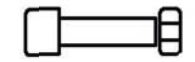
T-L007
(90 High) platform between six step ladder

No.	Name	Specification	Qty	Picture
1	Fasten nut	M10	6	
2	Washer	M10*2	12	
3	Plum blossom cored bolt	M10*25	6	
4				
5				
6				
7				
8				
9				
10				

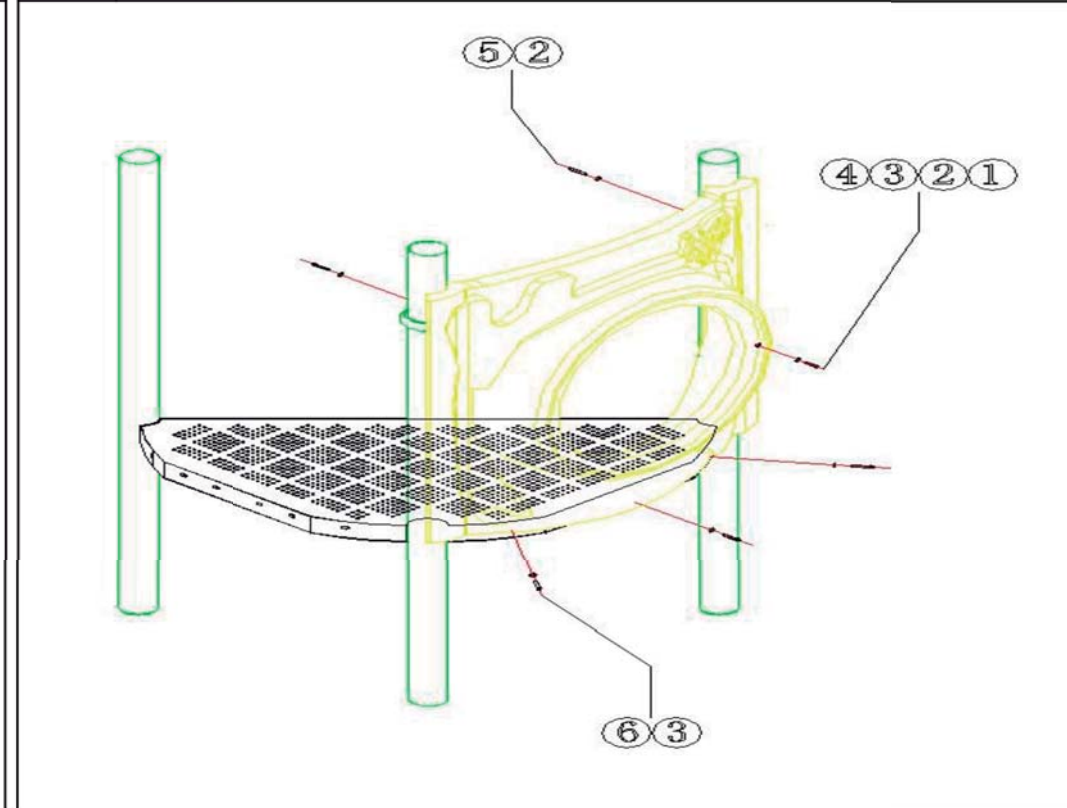
Remark

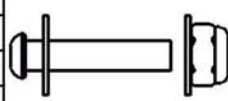


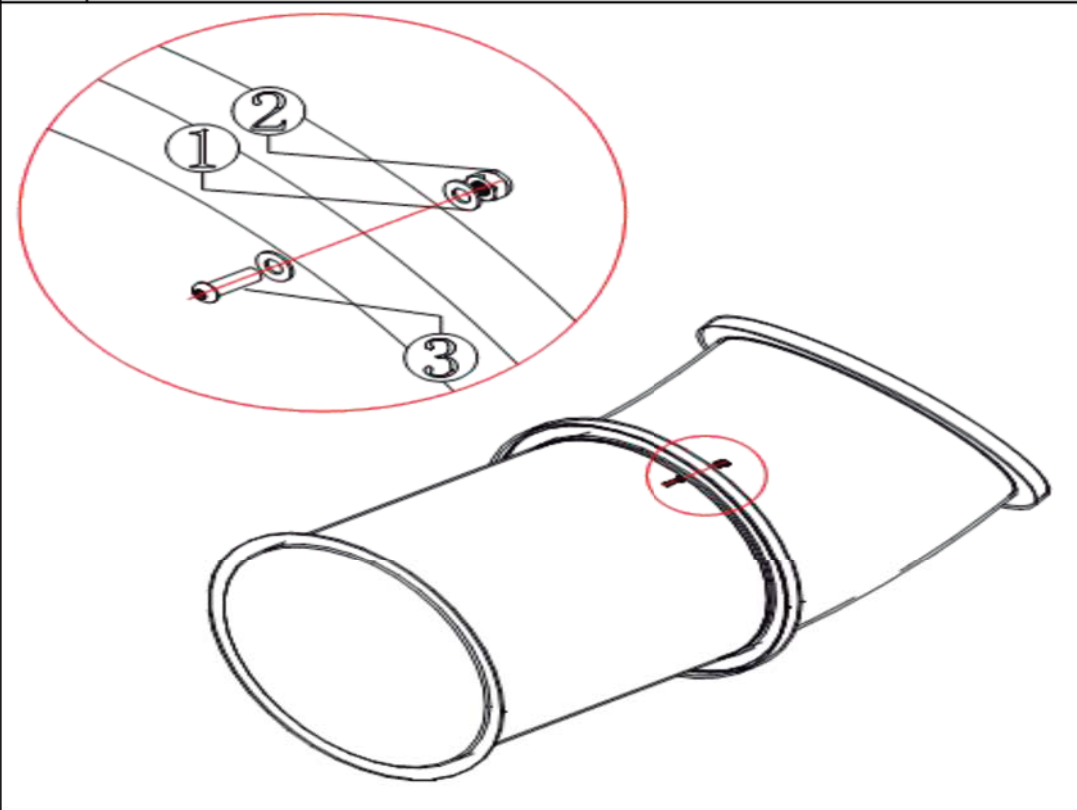
Module number
Trees round door (with bucket)

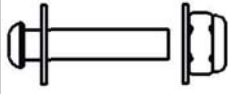
No.	Name	Specification	Qty	Picture
1	Inner hexagonal bolt	M8*45	16	
2	Washer	M8	18	
3	Washer	M10	20	
4	Two head screw	M10*25	16	
5	Plum blossom cored bolt	M8*20	2	
6	Plum blossom cored bolt	M10*20	4	
7				
8				
9				
10				

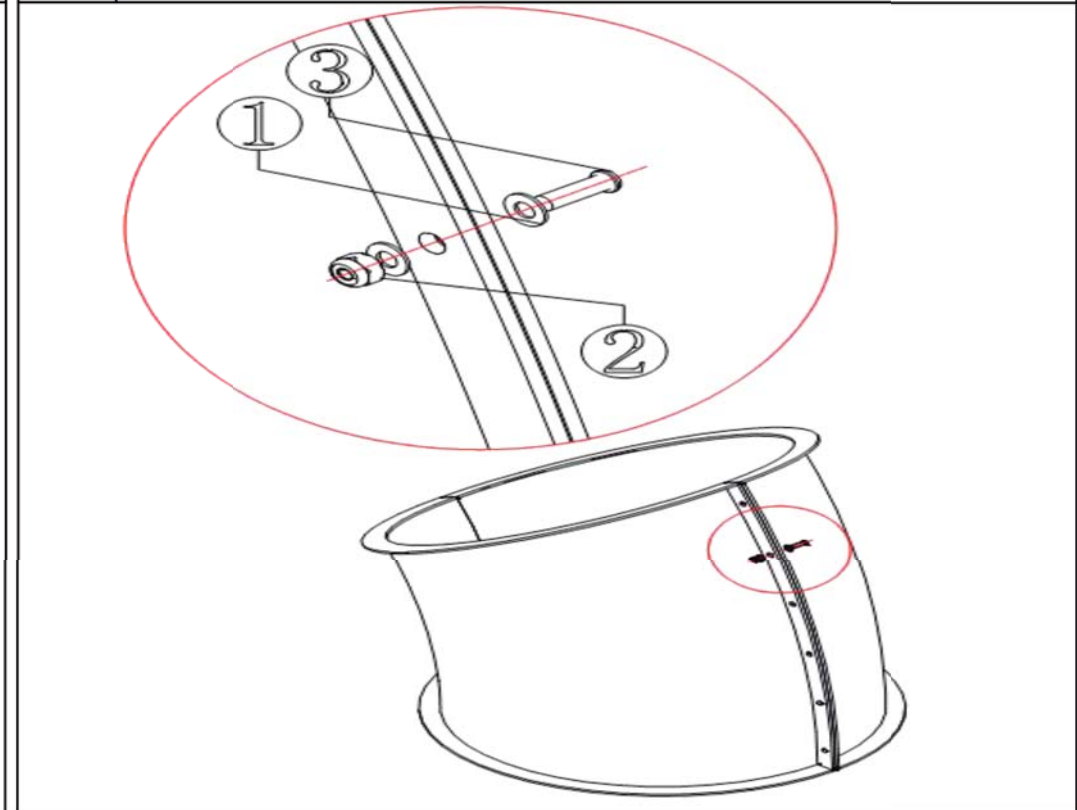
Remark

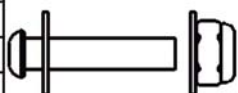


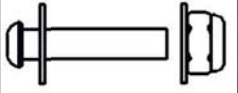
Module number 35 degree elbow and 80 straight barrel				
No.	Specification	Name	Qty	Picture
1	M10*2	Washer	32	
2	M10	Screwnut	16	
3	M10*27	Plum blossom cored bolt	16	
4				
5				
6				
7				
8				
9				
10				
Remark				

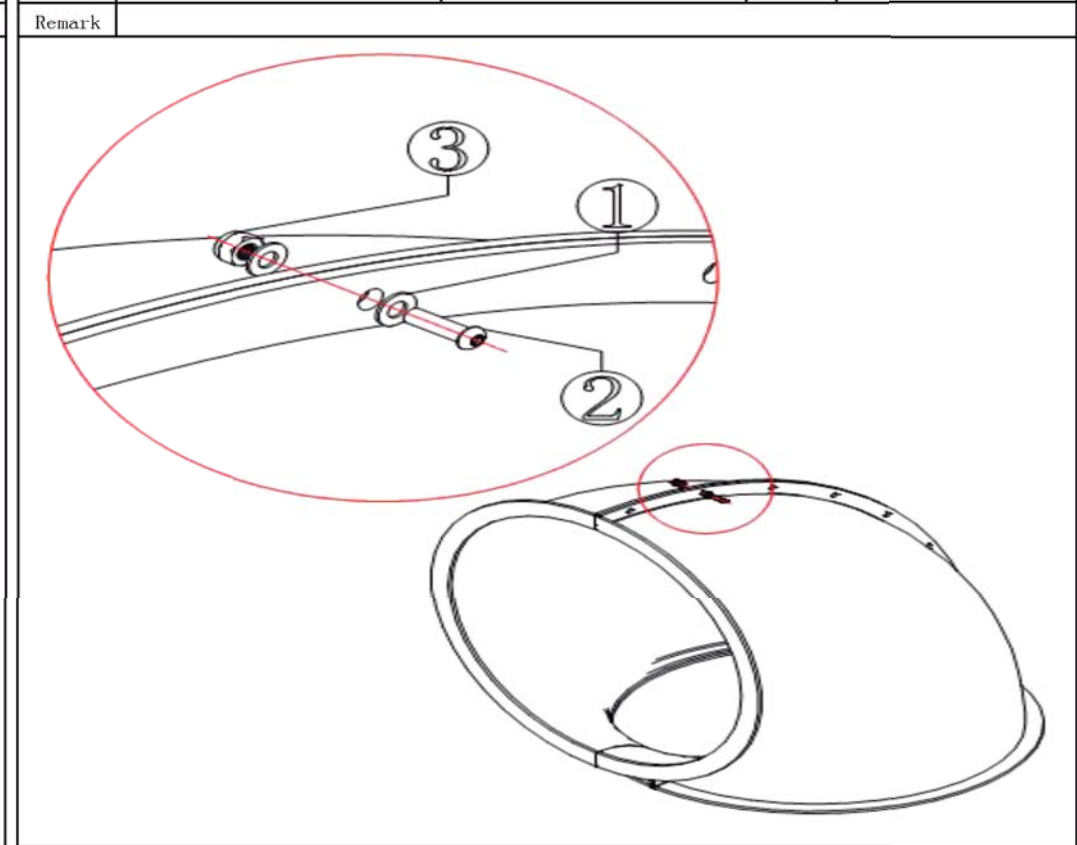
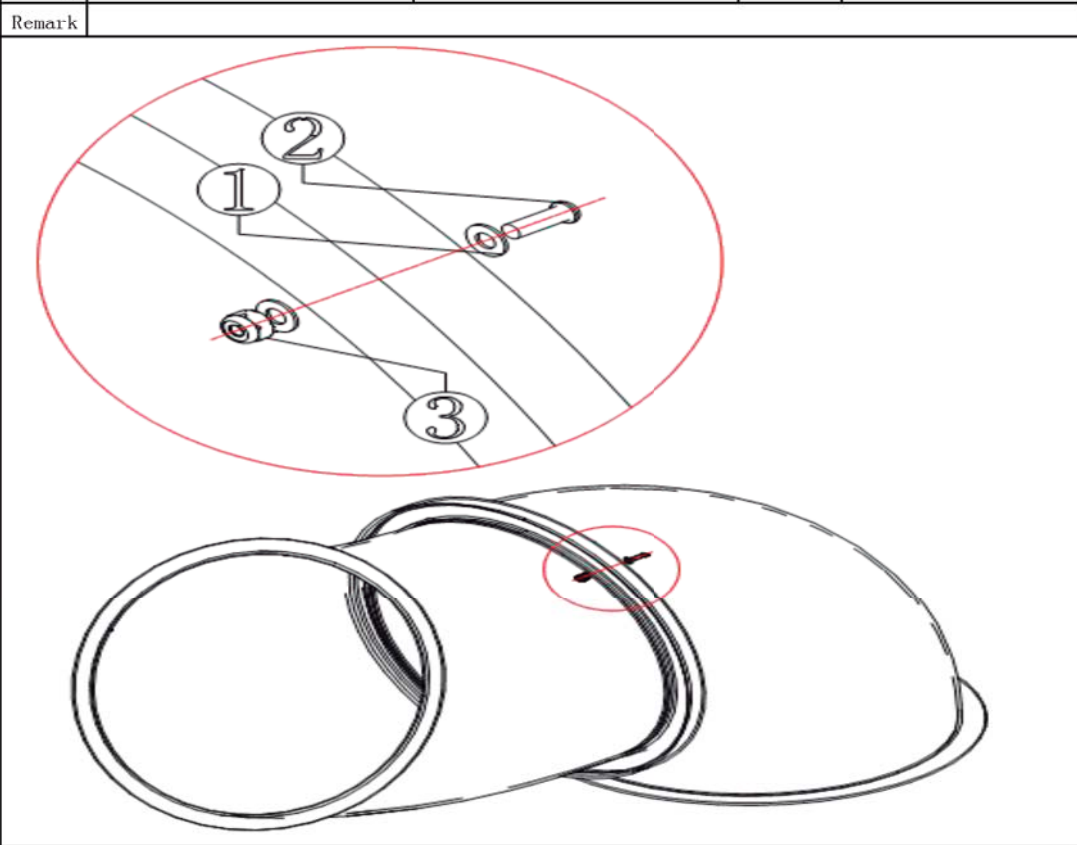


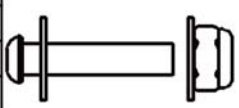
Module number 76#35 degrees transparent bucket (interface)				
No.	Specification	Name	Qty	Picture
1	M8*2	Washer	20	
2	M8*30	Inner hexagonal bolt	10	
3	M8	Fasten nut	10	
4				
5				
6				
7				
8				
9				
10				
Remark				

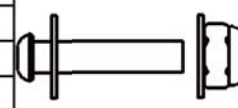


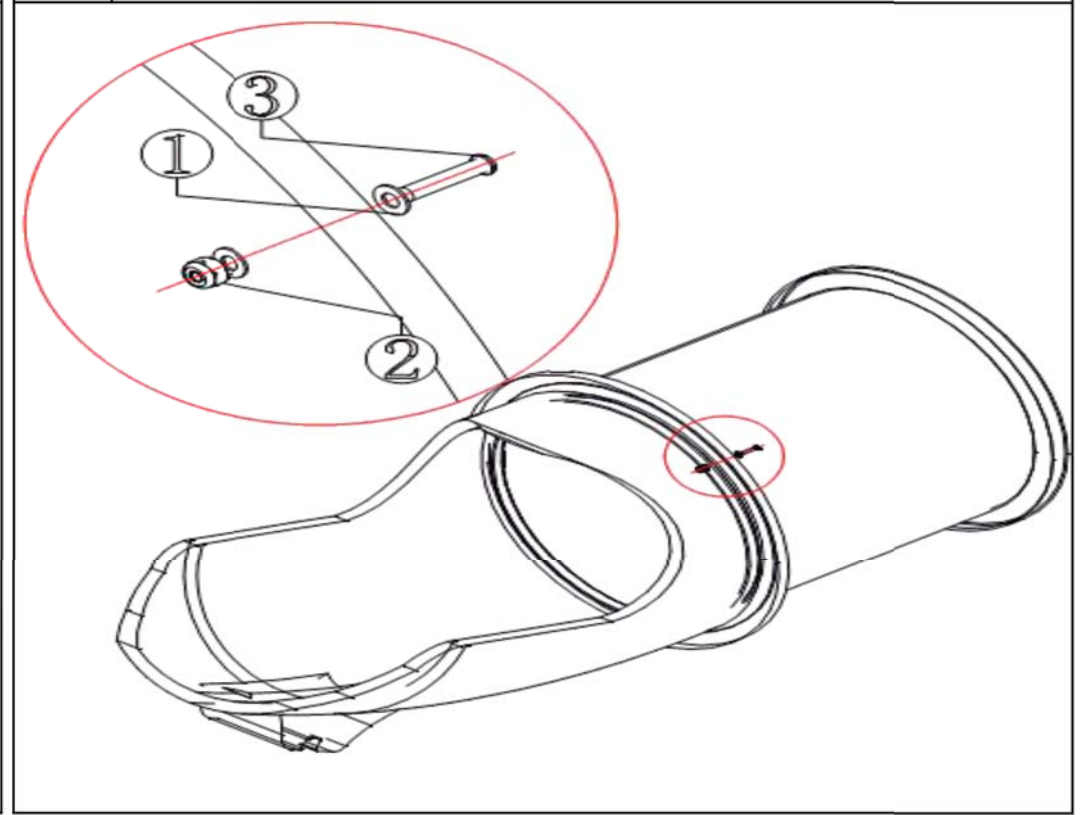
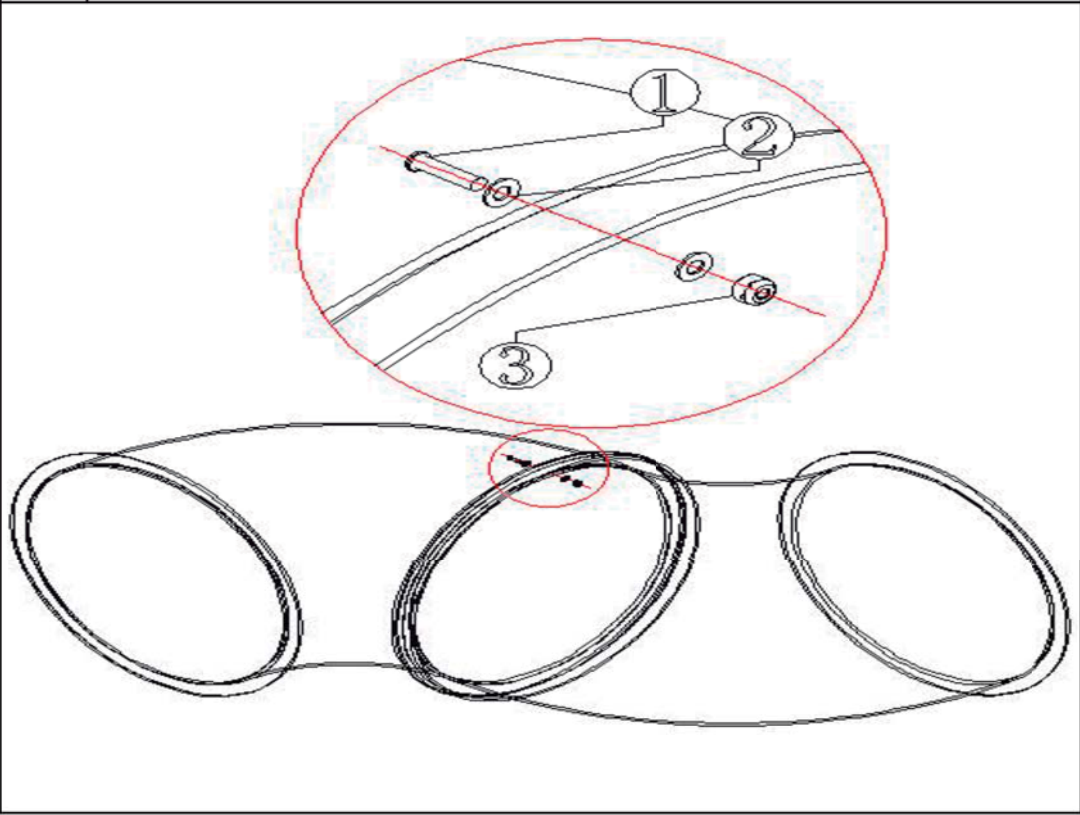
Module number 90 degrees plus 35 degrees elbow bend				
No.	Specification	Name	Qty	Picture
1	M10*2	Washer	32	
2	M10*27	Plum blossom cored bolt	16	
3	M10	Screwnut	16	
4				
5				
6				
7				
8				
9				
10				
Remark				

Module number 76#90 degrees transparent bucket (interface)				
No.	Specification	Name	Qty	Picture
1	M8*2	Washer	20	
2	M8*30	Inner hexagonal bolt	10	
3	M8	Fasten nut	10	
4				
5				
6				
7				
8				
9				
10				
Remark				



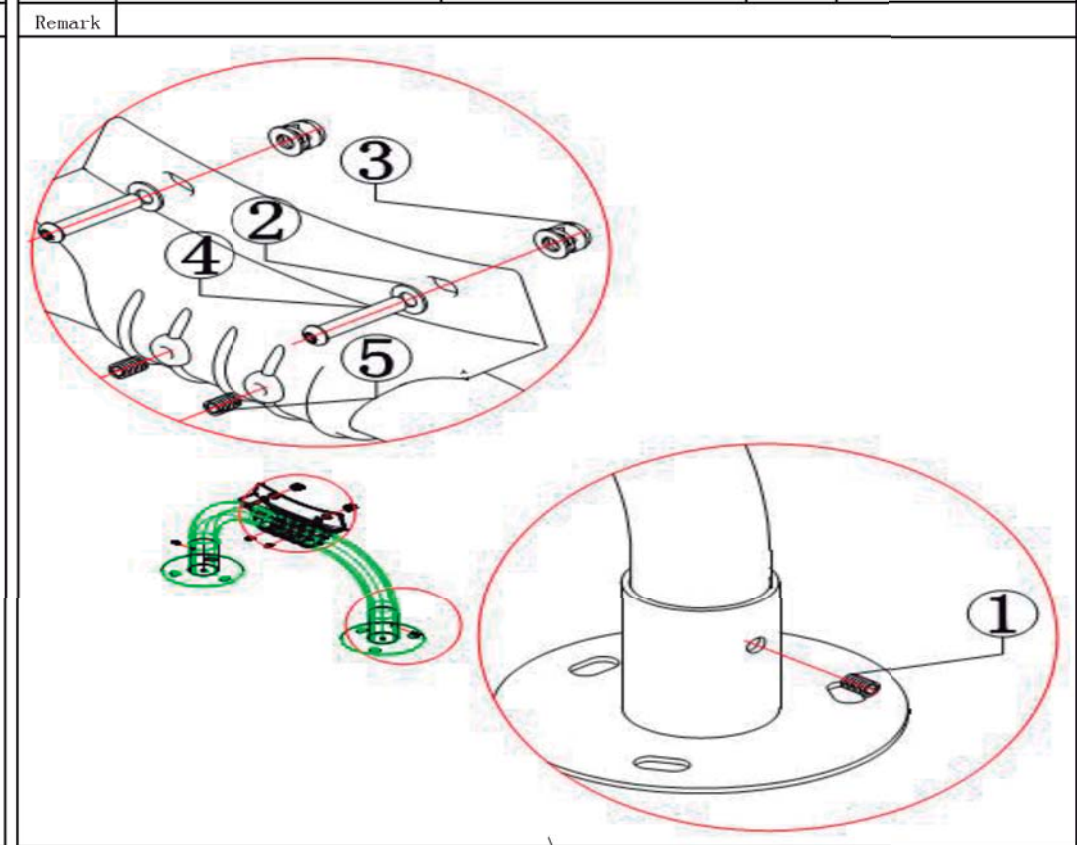
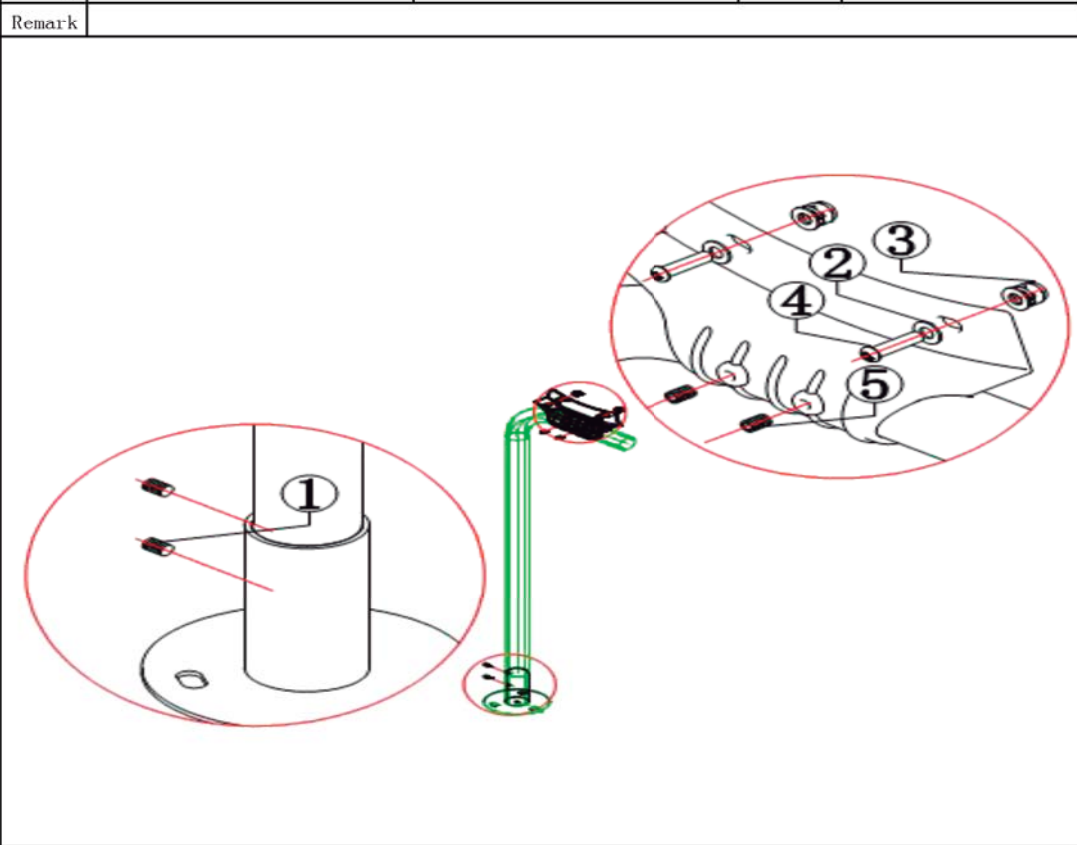
Module number 76 # 90 degree elbow				
No.	Specification	Name	Qty	Picture
1	M10*2	Washer	16	
2	M10	Screwnut	16	
3	M10*27	Plum blossom cored bolt	16	
4				
5				
6				
7				
8				
9				
10				
Remark				

Module number Music largest exit plus 80 straight barrel				
No.	Specification	Name	Qty	Picture
1	M10*2	Washer	64	
2	M10	Screwnut	32	
3	M10*45	Plum blossom cored bolt	32	
4				
5				
6				
7				
8				
9				
10				
Remark				

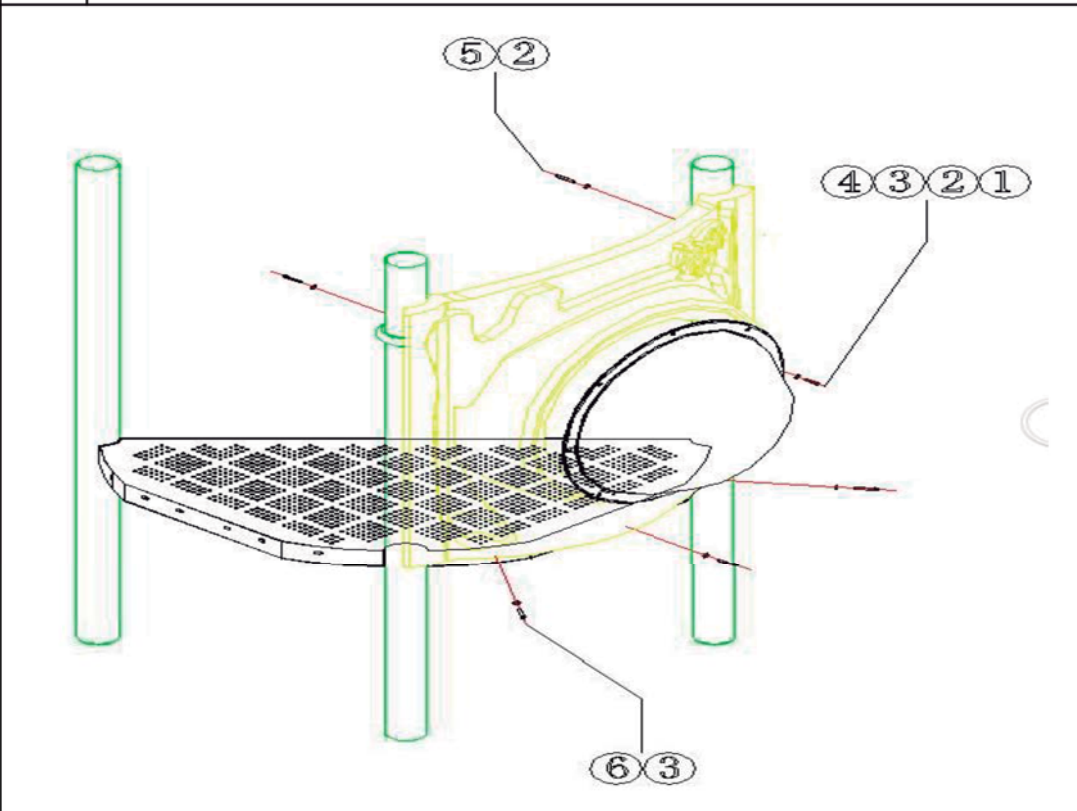


Module number Barrel support				
No.		Name	Qty	Picture
1	M10*12	jackscrew	2	
2	M10*2	Washer	4	
3	M10	Screwnut	2	
4	M10*35	Plum blossom cored bolt	2	
5	M8*12	jackscrew	2	
6				
7				
8				
9				
10				
Remark				

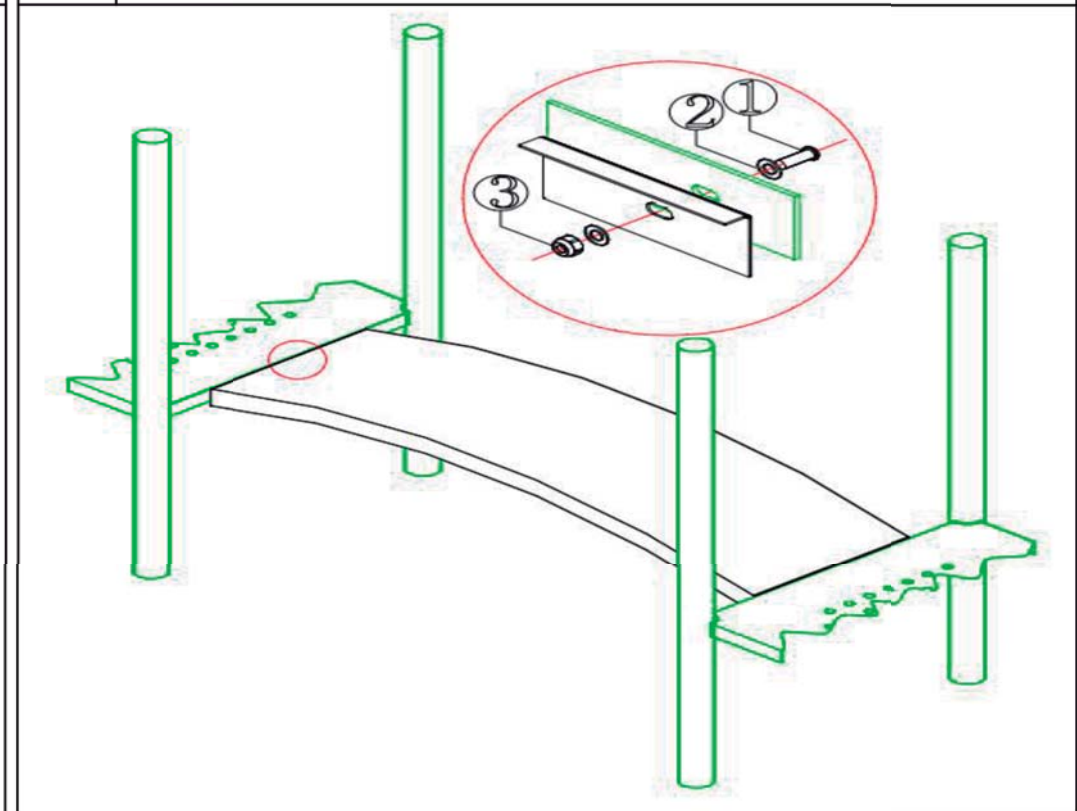
Module number Exit support				
No.	Specification	Name	Qty	Picture
1	M10*12	jackscrew	2	
2	M10*2	Washer	4	
3	M10	Screwnut	2	
4	M10*50	Plum blossom cored bolt	2	
5	M8*12	jackscrew	2	
6				
7				
8				
9				
10				
Remark				



Module number Trees round door (glasses)				
No.	Name	Specification	Qty	Picture
1	Inner hexagonal bolt	M8*45	16	
2	Washer	M8	18	
3	Washer	M10	20	
4	Two head screw	M10*25	16	
5	Plum blossom cored bolt	M8*20	2	
6	Plum blossom cored bolt	M10*20	4	
7				
8				
9				
10				
Remark				



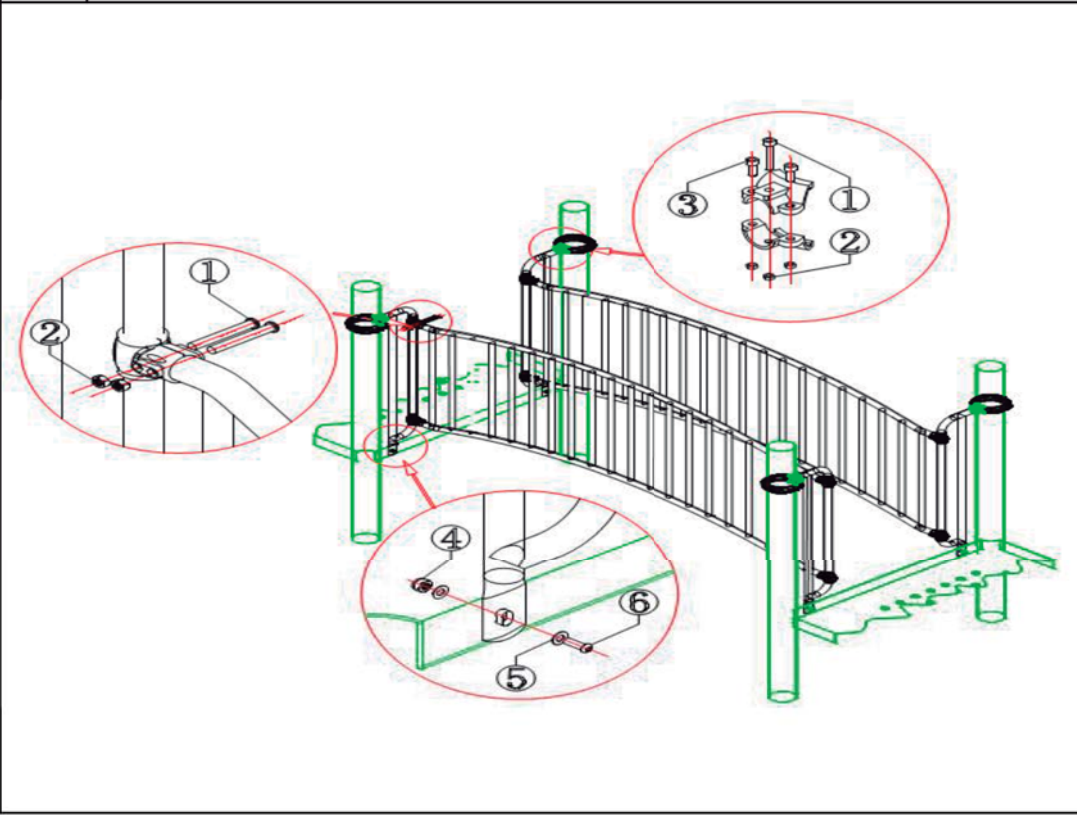
T-P018 arch bridge				
No.	Name	Specification	Qty	Picture
1	Plum blossom cored bolt	M10*25	6	
2	Washer	M10*2	12	
3	Screwnut	M10	6	
4				
5				
6				
7				
8				
9				
10				
Remark				



T-F024
arch bridge armrest

No.	Specification	Name	Qty	Picture
1	M6*50	Inner hexagonal bolt	20	
2	M6	nut	28	
3	M6*16	Inner hexagonal bolt	8	
4	M10	Screwnut	4	
5	M10*2	Washer	8	
6	M10*25	Plum blossom cored bolt	4	
7				
8				
9				
10				

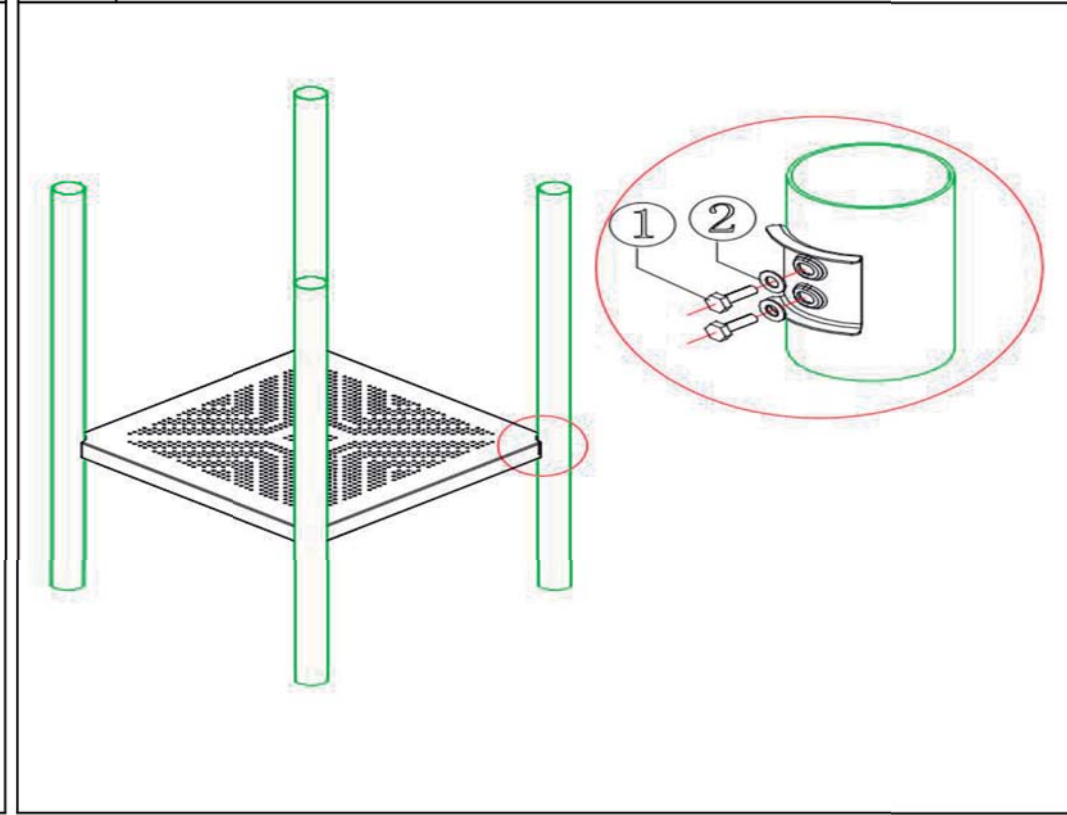
Remark



T-P001
Quartet platform

No.	Name	Specification	Qty	Picture
1	outer Hexagonal bolt	M10*30	8	
2	Washer	M10*2	8	
3				
4				
5				
6				
7				
8				
9				
10				

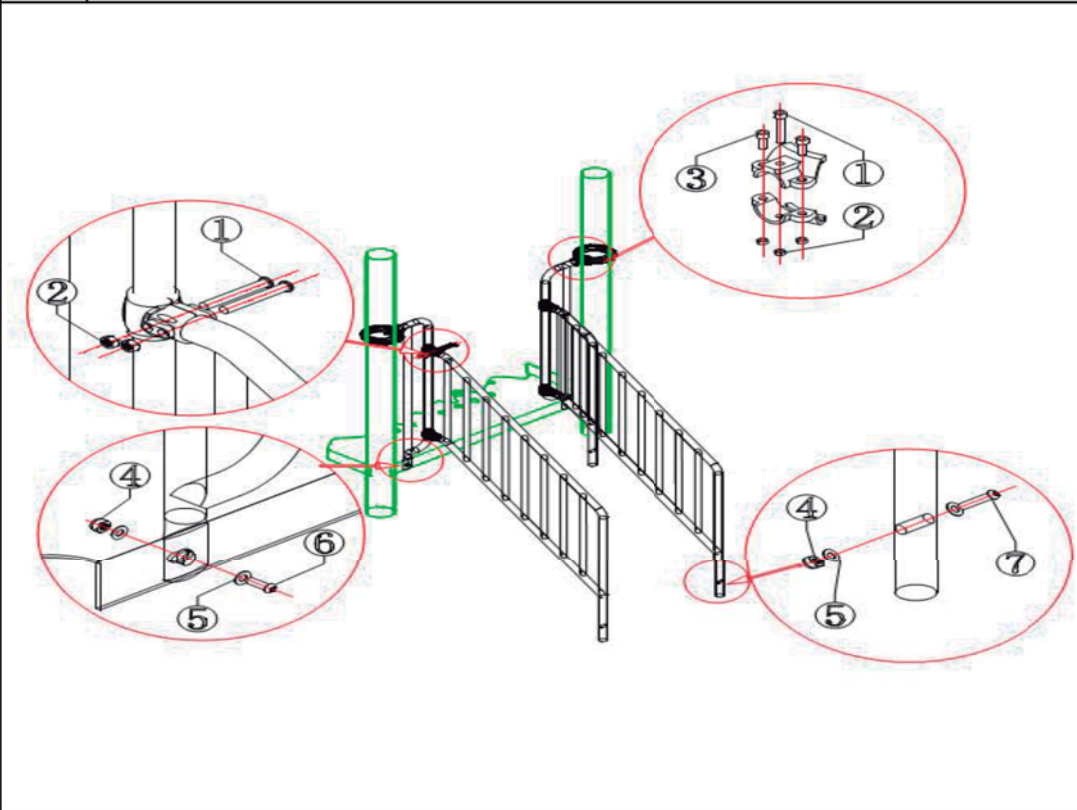
Remark



T-F011
90 landing six-step ladder armrest

No.	Specification	Name	Qty	Picture
1	M6*50	Inner hexagonal bolt	10	
2	M6	nut	14	
3	M6*16	Inner hexagonal bolt	4	
4	M10	Screwnut	4	
5	M10*2	Washer	8	
6	M10*25	Plum blossom cored bolt	2	
7	M10*55	Plum blossom cored bolt	2	
8				
9				
10				

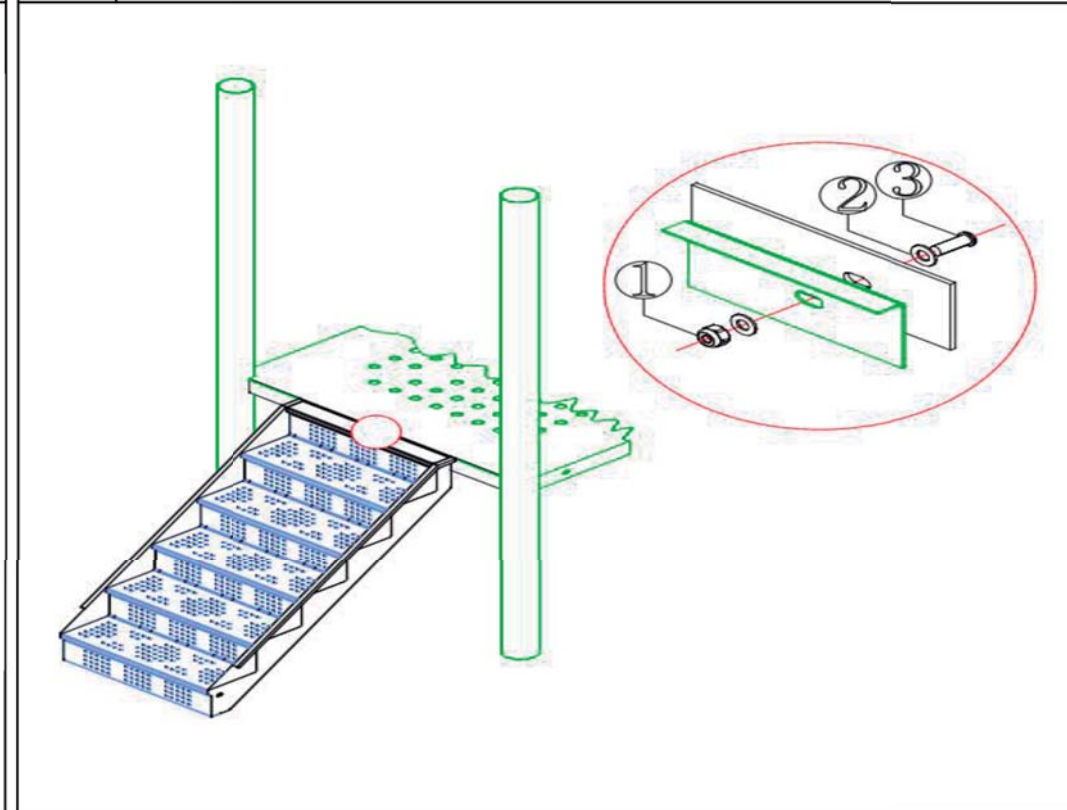
Remark

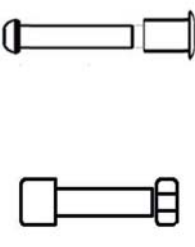


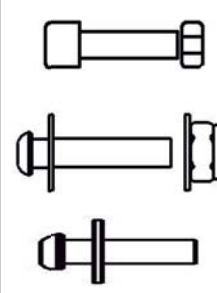
T-L006
90 High landing six-step ladder

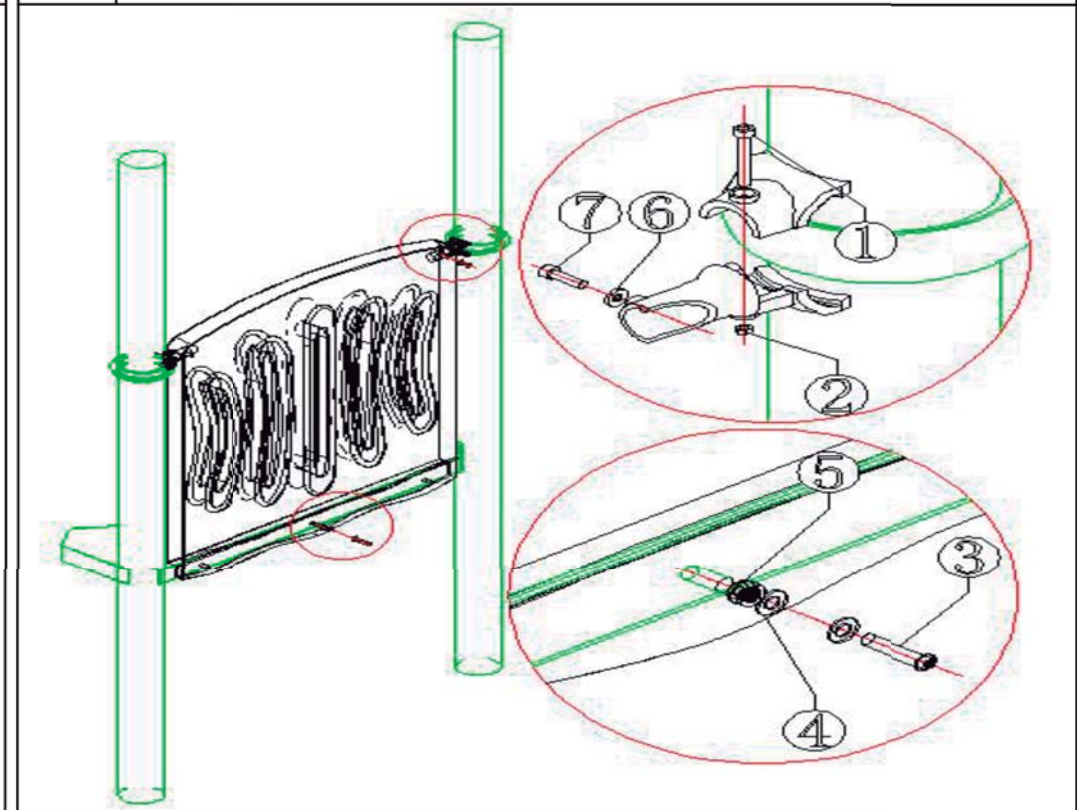
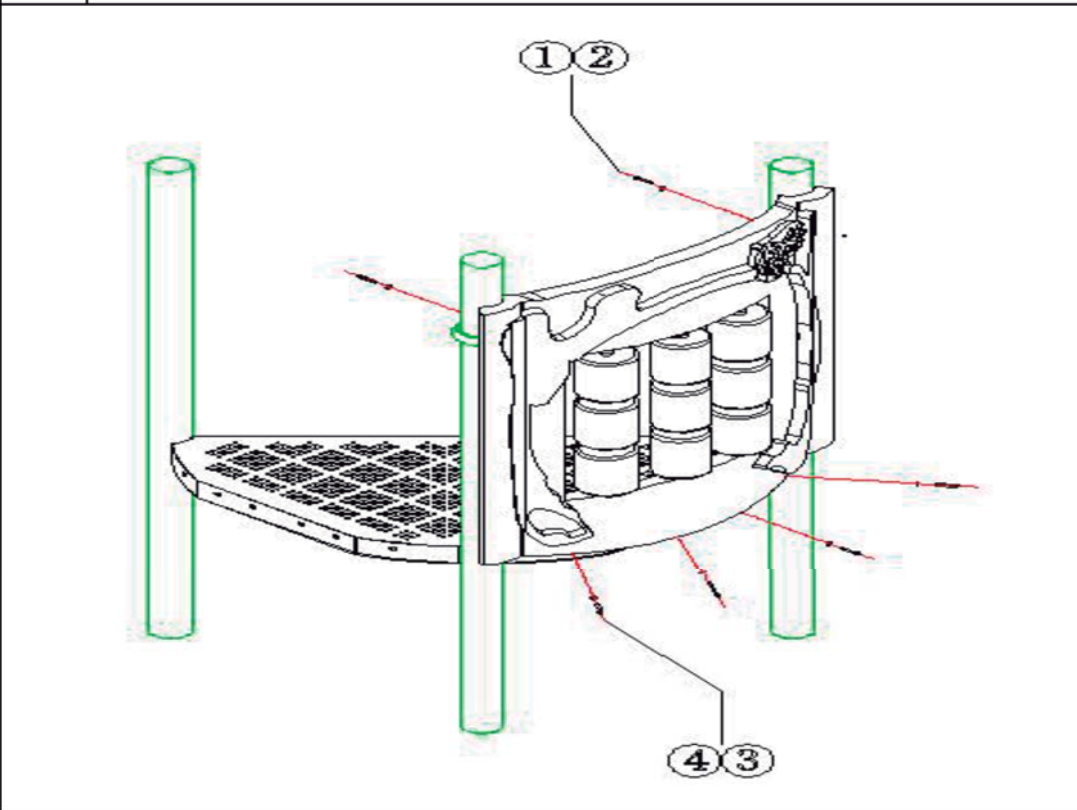
No.	Name	Specification	Qty	Picture
1	Fasten nut	M10	3	
2	Washer	M10*2	6	
3	Plum blossom cored bolt	M10*25	3	
4				
5				
6				
7				
8				
9				
10				

Remark

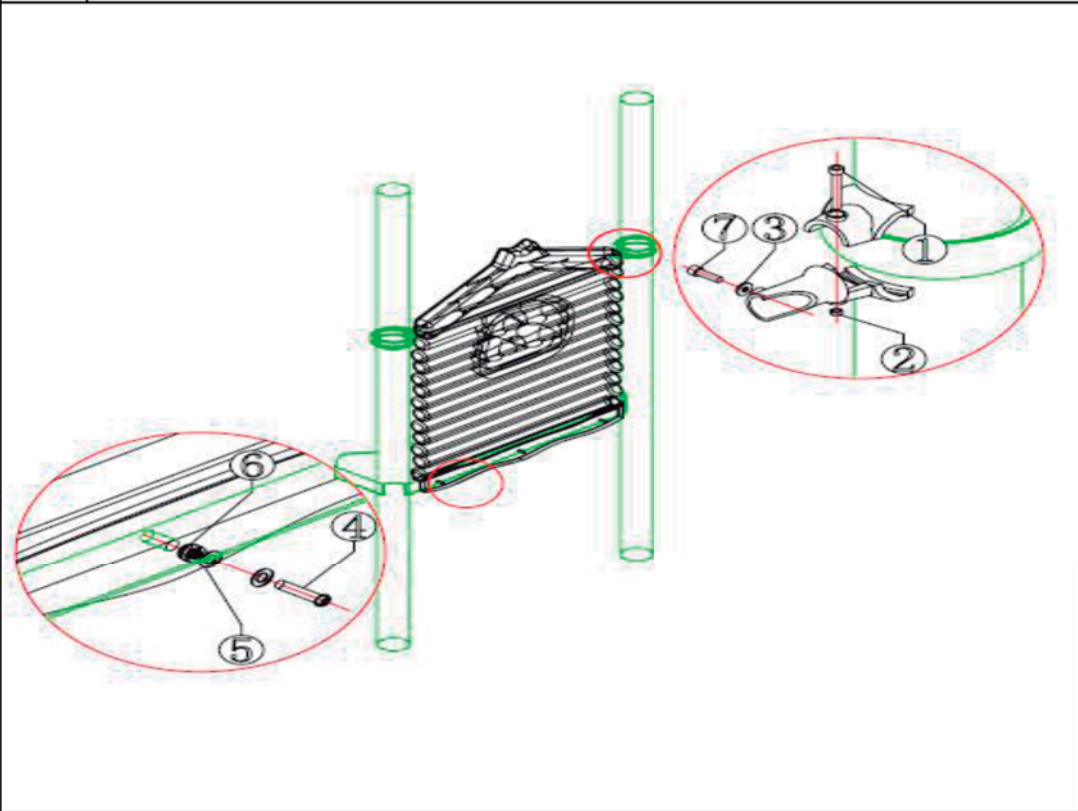


Module number Trees digital door				
No.	Name	Specification	Qty	Picture
1	Plum blossom cored bolt	M8*20	2	
2	Washer	M8	2	
3	Washer	M10	4	
4	Plum blossom cored bolt	M10*20	4	
5				
6				
7				
8				
9				
10				
Remark				

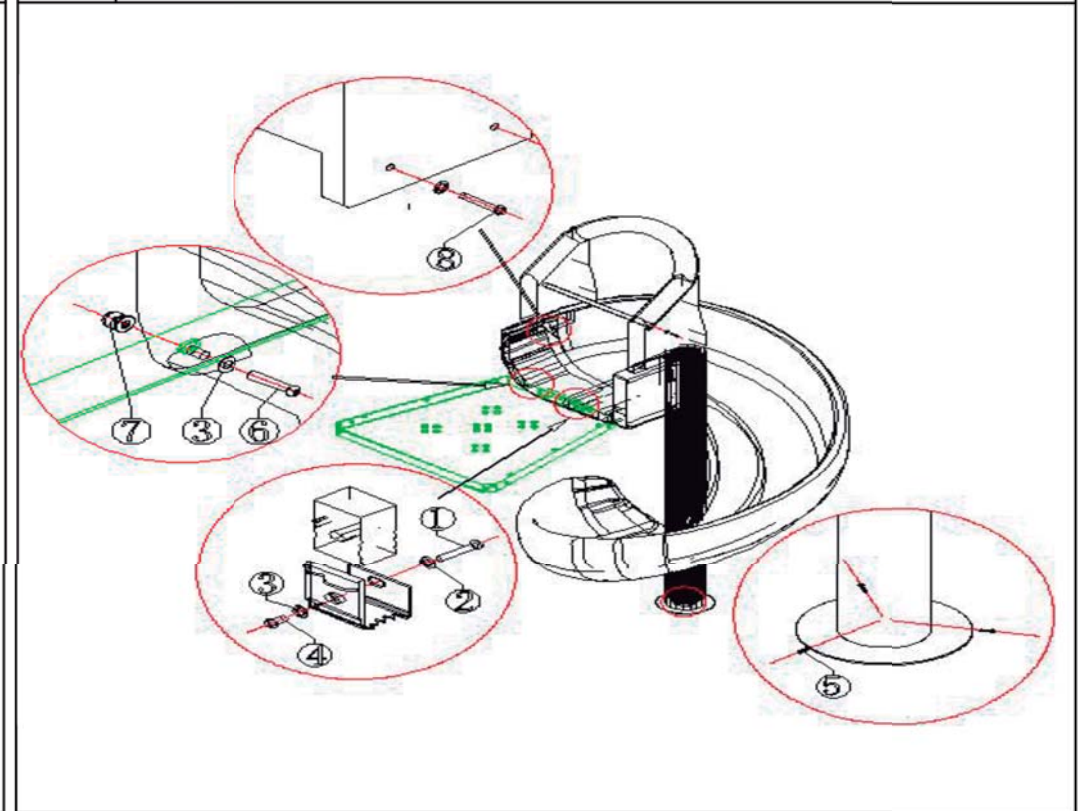
Module number Kaka gate				
No.	Specification	Name	Qty	Picture
1	M6*45	Inner hexagonal bolt	2	
2	M6	Nut	2	
3	M10*35	Plum blossom cored bolt	3	
4	M10*2	Washer	6	
5	M10	Fasten nut	3	
6	M8*2	Washer	2	
7	M8*20	Inner hexagonal bolt	2	
8				
9				
10				
Remark				



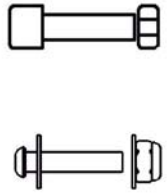
Module number Palisade with side doors (door buckle)				
No.	Specification	Name	Qty	Picture
1	M6*45	Inner hexagonal bolt	2	
2	M6	Nut	2	
3	M8*2	Washer	2	
4	M10*35	Plum blossom cored bolt	3	
5	M10*2	Washer	6	
6	M10	Screwnut	3	
7	M8*20	Inner hexagonal bolt	2	
8				
9				
10				
Remark				



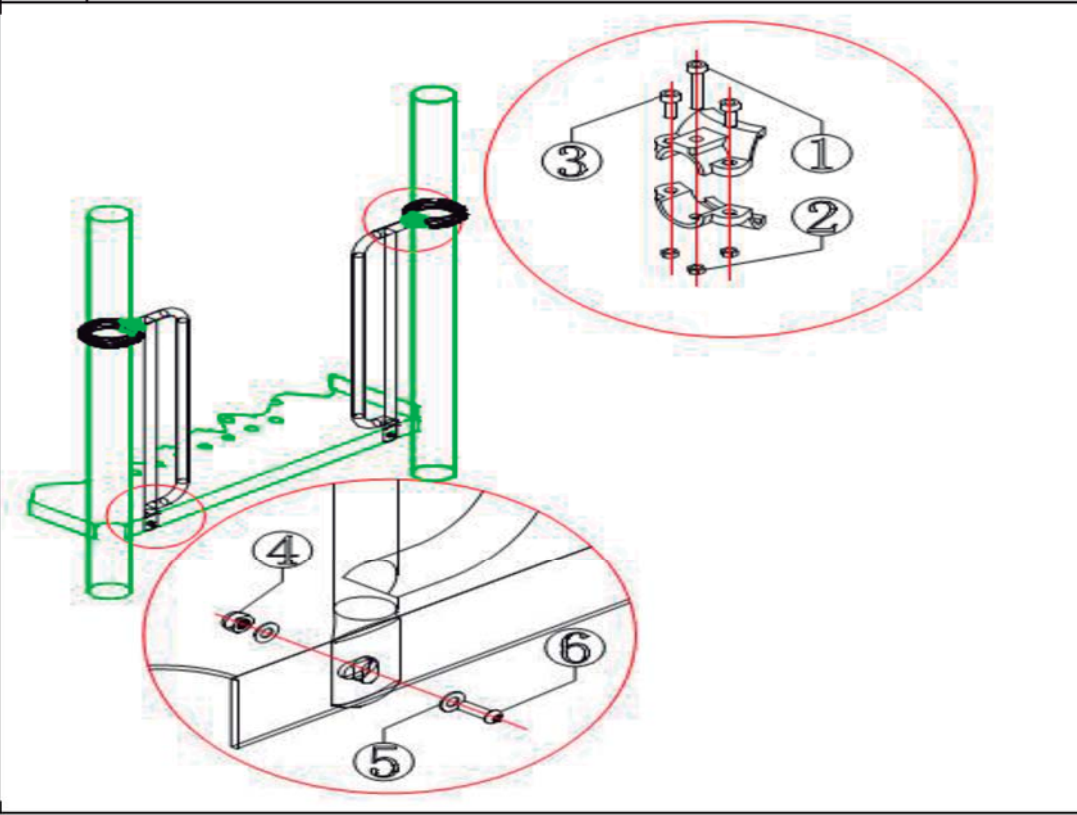
Module number 195 High S slide				
No.	Specification	Name	Qty	Picture
1	M8*55	Inner hexagonal bolt	2	
2	M8*2	Washer	2	
3	M10*2	Washer	12	
4	M10*25	Two head Nut	2	
5	M5.5*55	self-tapping screw	3	
6	M10*35	Plum blossom cored	2	
7	M10	Screwnut	2	
8	M10*27	Plum blossom cored	6	
9				
10				
Remark				



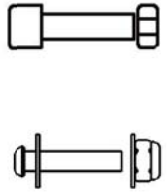
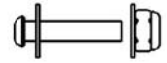
T-F034
armrest

No.	Specification	Name	Qty	Picture
1	M6*50	Inner hexagonal bolt	2	
2	M6	nut	6	
3	M6*16	Inner hexagonal bolt	4	
4	M10	Screwnut	2	
5	M10*2	Washer	4	
6	M10*25	Plum blossom cored bolt	2	
7				
8				
9				
10				

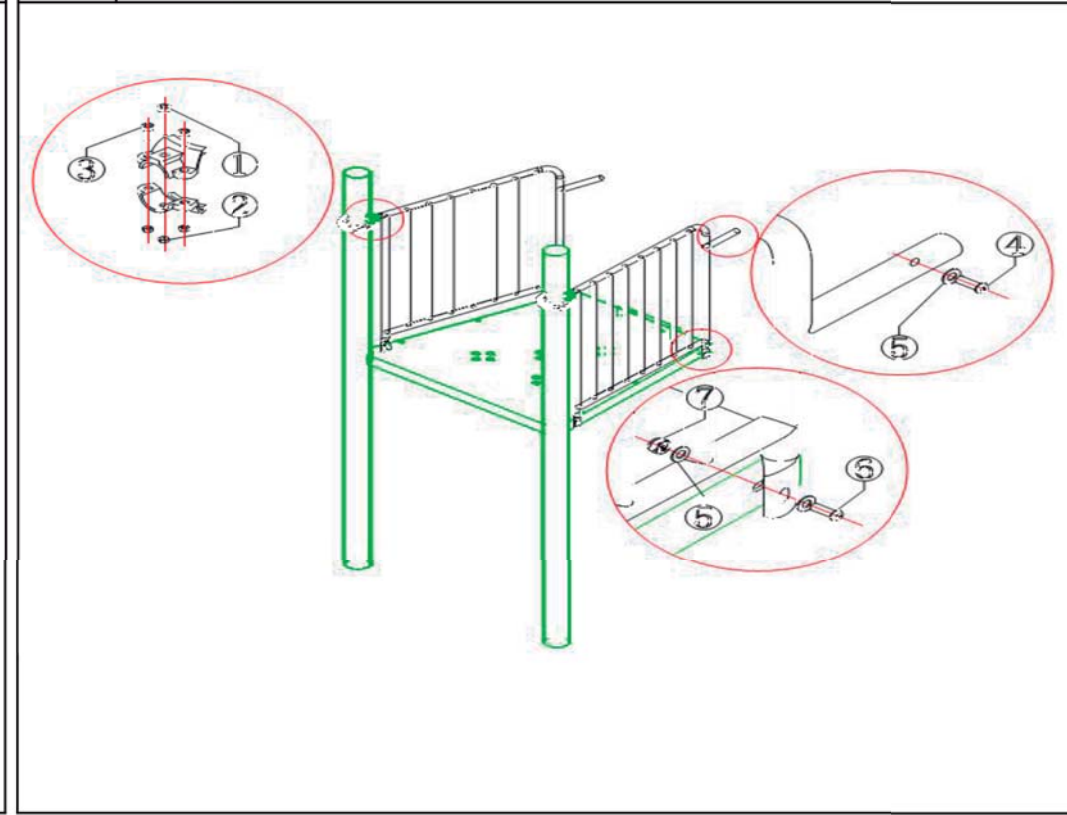
Remark



T-F035
195 high S with doors slide armrest

No.	Specification	Name	Qty	Picture
1	M6*50	Inner hexagonal bolt	2	
2	M6	nut	6	
3	M6*16	Inner hexagonal bolt	4	
4	M10*40	Plum blossom cored bolt	2	
5	M10*2	Washer	10	
6	M10*25	Plum blossom cored bolt	4	
7	M10	Screwnut	4	
8				
9				
10				

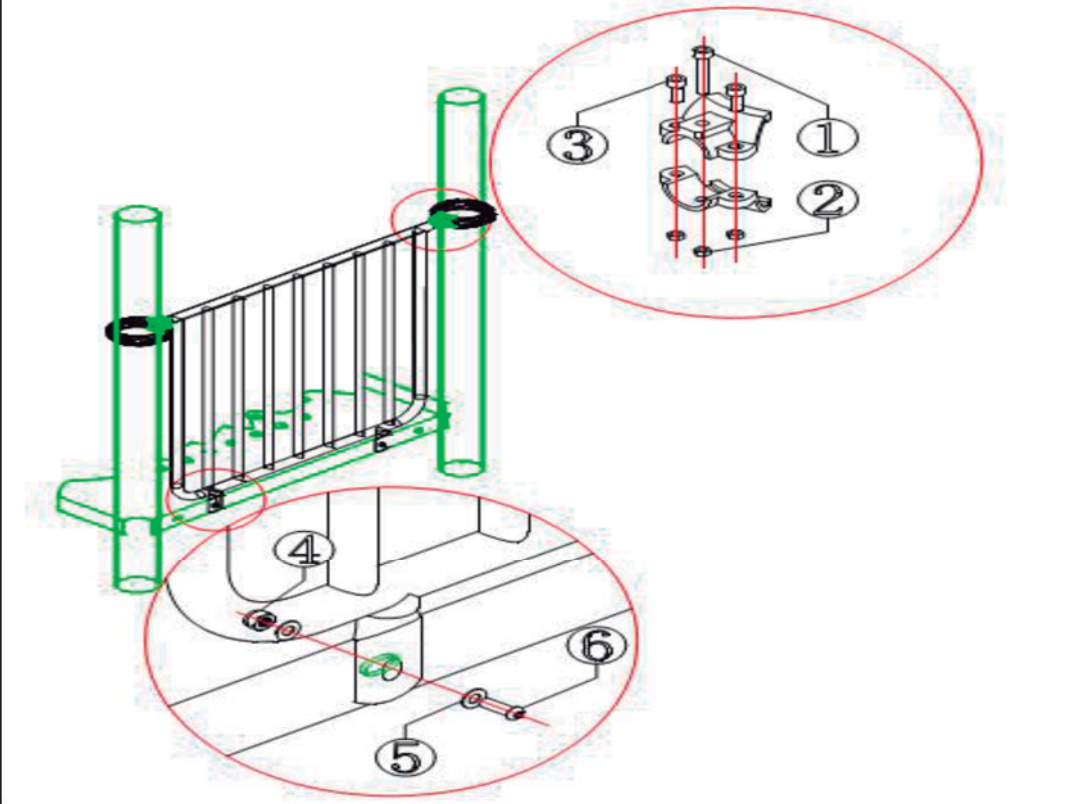
Remark



T-F045
Straight drawbars

No.	Specification	Name	Qty	Picture
1	M6*50	Inner hexagonal bolt	2	
2	M6	nut	6	
3	M6*16	Inner hexagonal bolt	4	
4	M10	Screwnut	2	
5	M10*2	Washer	4	
6	M10*25	Plum blossom cored bolt	2	
7				
8				
9				
10				

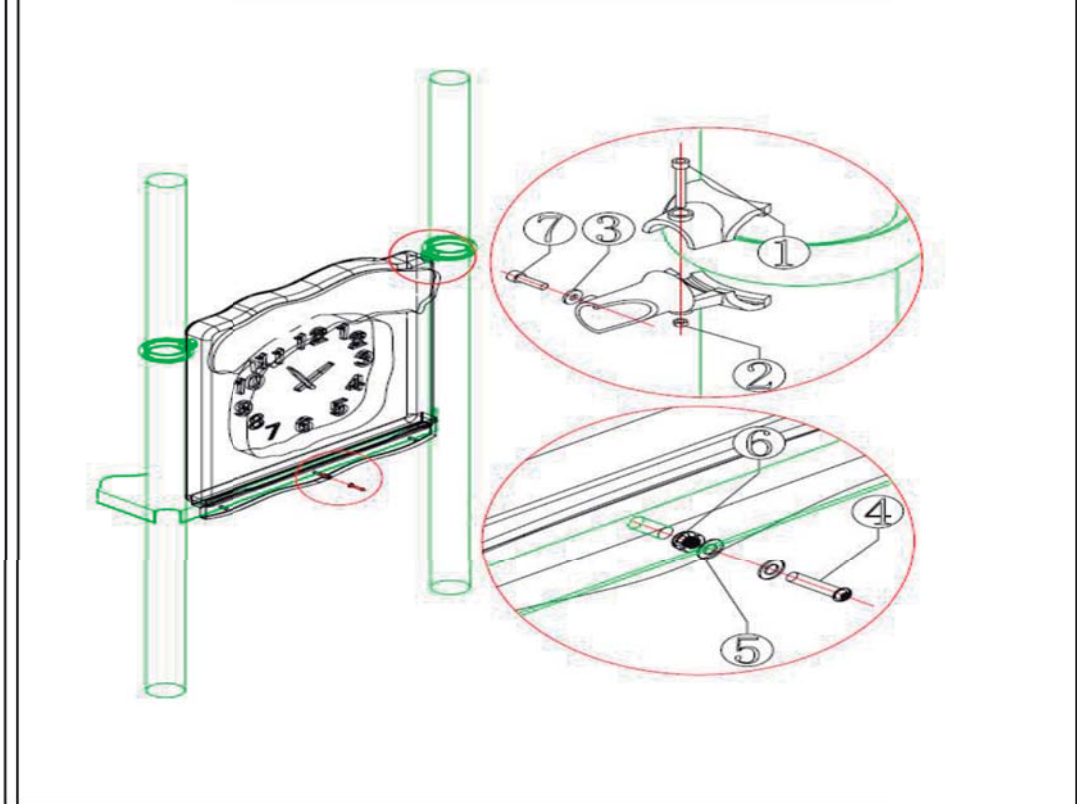
Remark

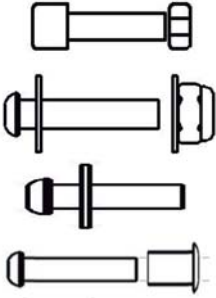


Module number
Clock door with side (door buckle)

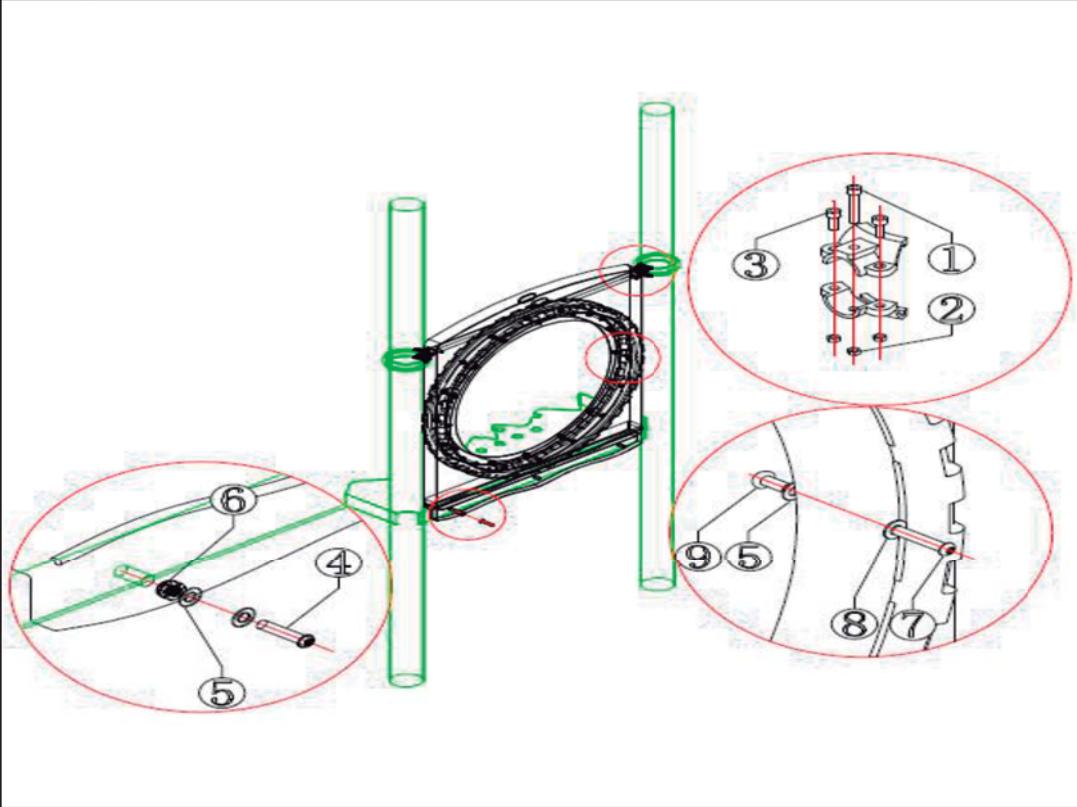
No.	Specification	Name	Qty	Picture
1	M6*45	Inner hexagonal bolt	2	
2	M6	Nut	2	
3	M8*2	Washer	2	
4	M10*35	Plum blossom cored bolt	3	
5	M10*2	Washer	6	
6	M10	Screwnut	3	
7	M8*20	Inner hexagonal bolt	2	
8				
9				
10				

Remark



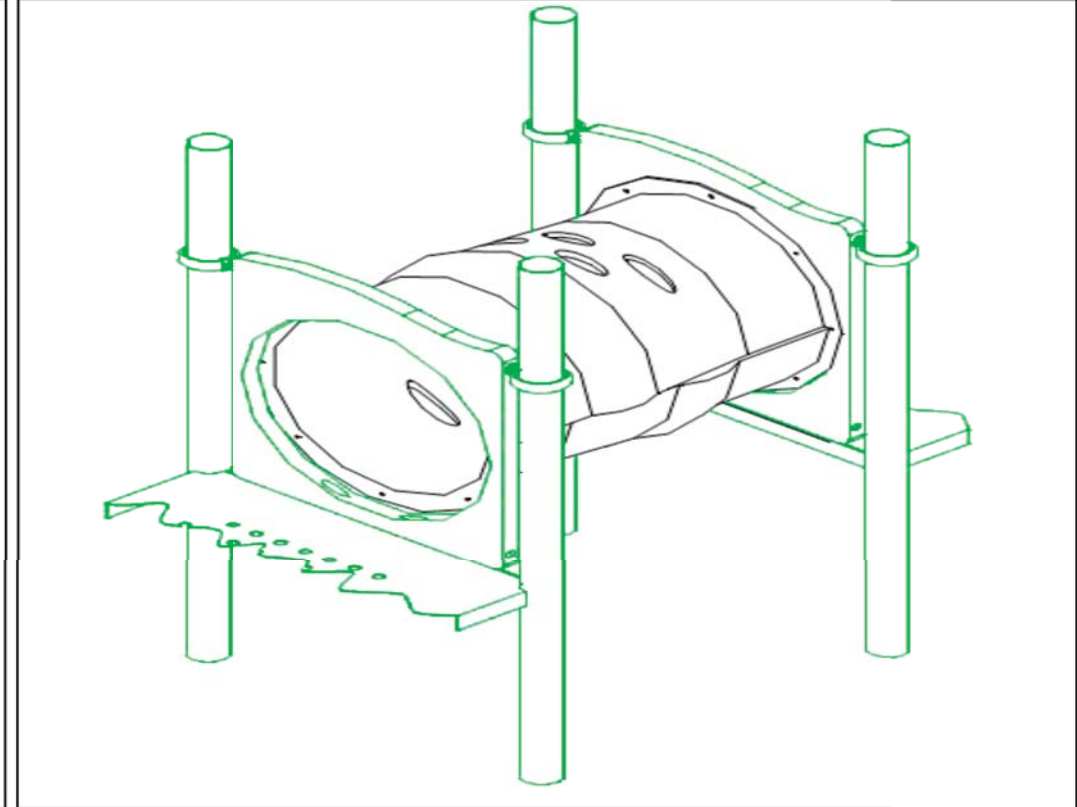
Module number Kaka round door with bucket				
No.	Specification	Name	Qty	Picture
1	M6*45	Inner hexagonal bolt	2	
2	M6	Nut	6	
3	M6*14	Inner hexagonal bolt	4	
4	M10*35	Plum blossom cored bolt	3	
5	M10*2	Washer	22	
6	M10	Fasten nut	3	
7	M8*45	Two head screw	16	
8	M8*2	Washer	16	
9	M10*25	两头套Nut	16	
10				

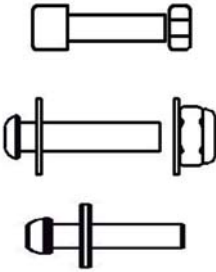
Remark

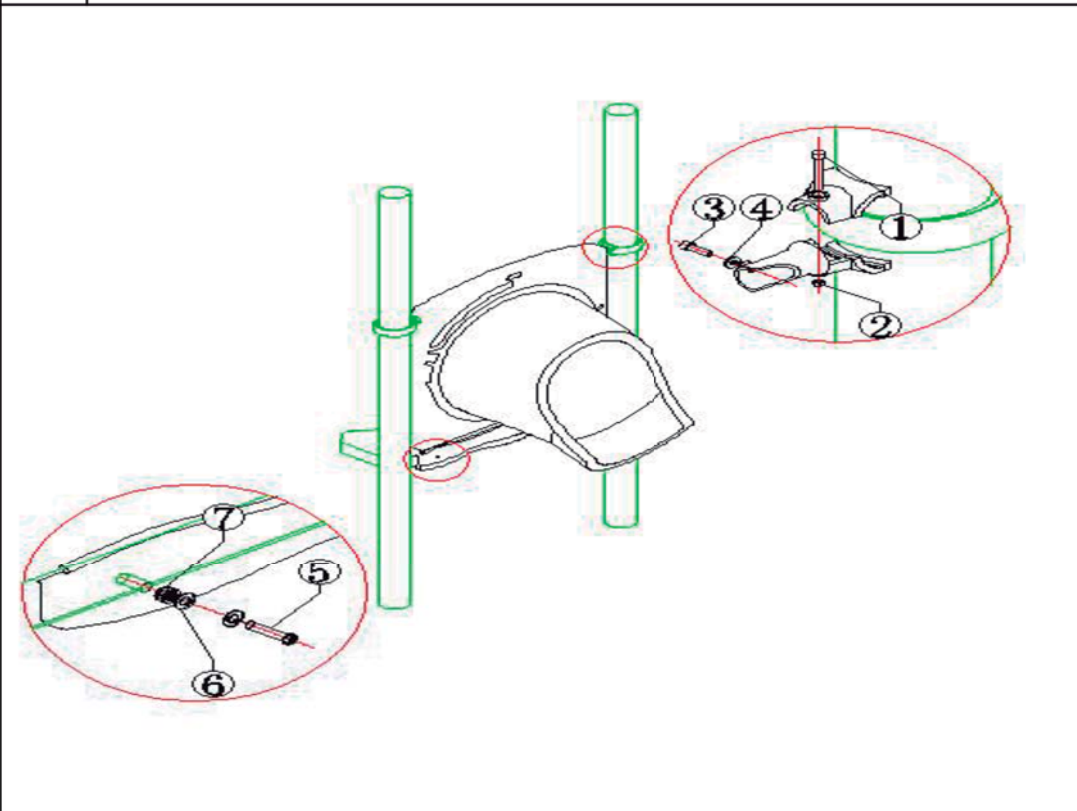


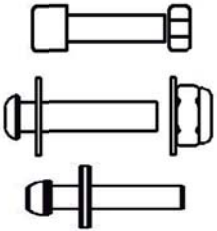
Module number platforms bucket drill bucket				
No.	Specification	Name	Qty	Picture
1				
2				
3				
4				
5				
6				
7				
8				
9				
10				

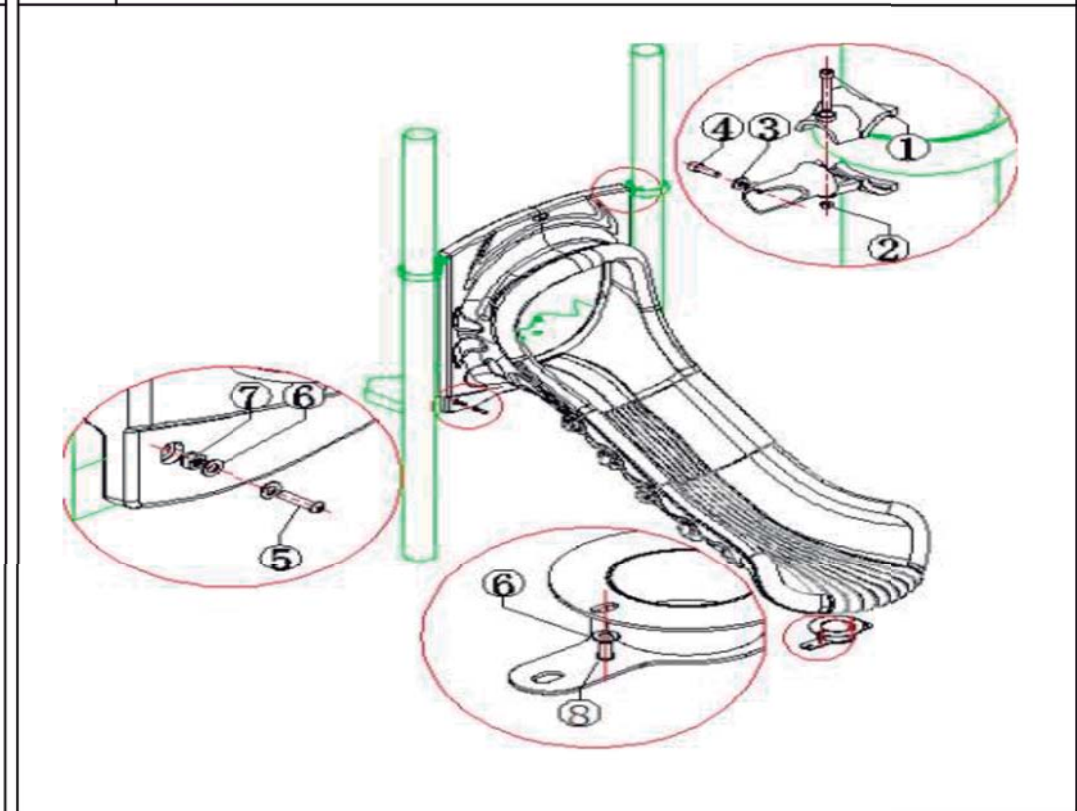
Remark



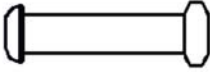
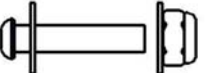

Module number spliced slide door				
No.	Specification	Name	Qty	Picture
1	M6*45	Inner hexagonal bolt	2	
2	M6	Nut	2	
3	M8*2	Washer	2	
4	M8*20	Inner hexagonal bolt	2	
5	M10*35	Plum blossom cored bolt	2	
6	M10*2	Washer	4	
7	M10	Fasten nut	2	
8				
9				
10				
Remark				



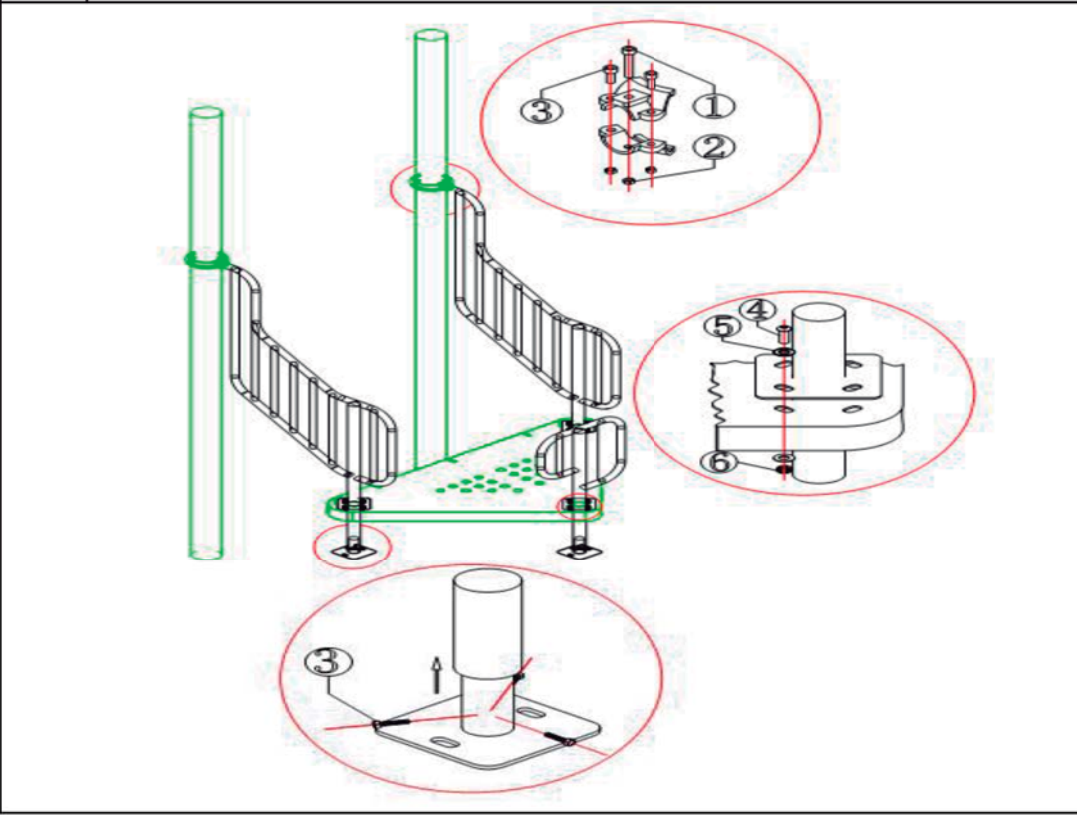
Module number 90 spliced slide				
No.	Specification	Name	Qty	Picture
1	M6*45	Inner hexagonal bolt	2	
2	M6	Nut	2	
3	M8*2	Washer	2	
4	M8*20	Inner hexagonal bolt	2	
5	M10*35	Plum blossom cored bolt	2	
6	M10*2	Washer	6	
7	M10	Fasten nut	2	
8	M10*20	Plum blossom cored bolt	2	
9				
10				
Remark				



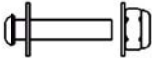
T-F049
Luxury three-step ladder handrails

No.	Specification	Name	Qty	Picture
1	M6*50	Inner hexagonal bolt	2	
2	M6*50	Nut	6	
3	M6*16	Inner hexagonal bolt	4	
4	M5.5*25	self-tapping screw	9	
5	M10*25	Plum blossom cored bolt	12	
6	M10	Washer	24	
7	M10	Fasten nut	12	
8				
9				
10				

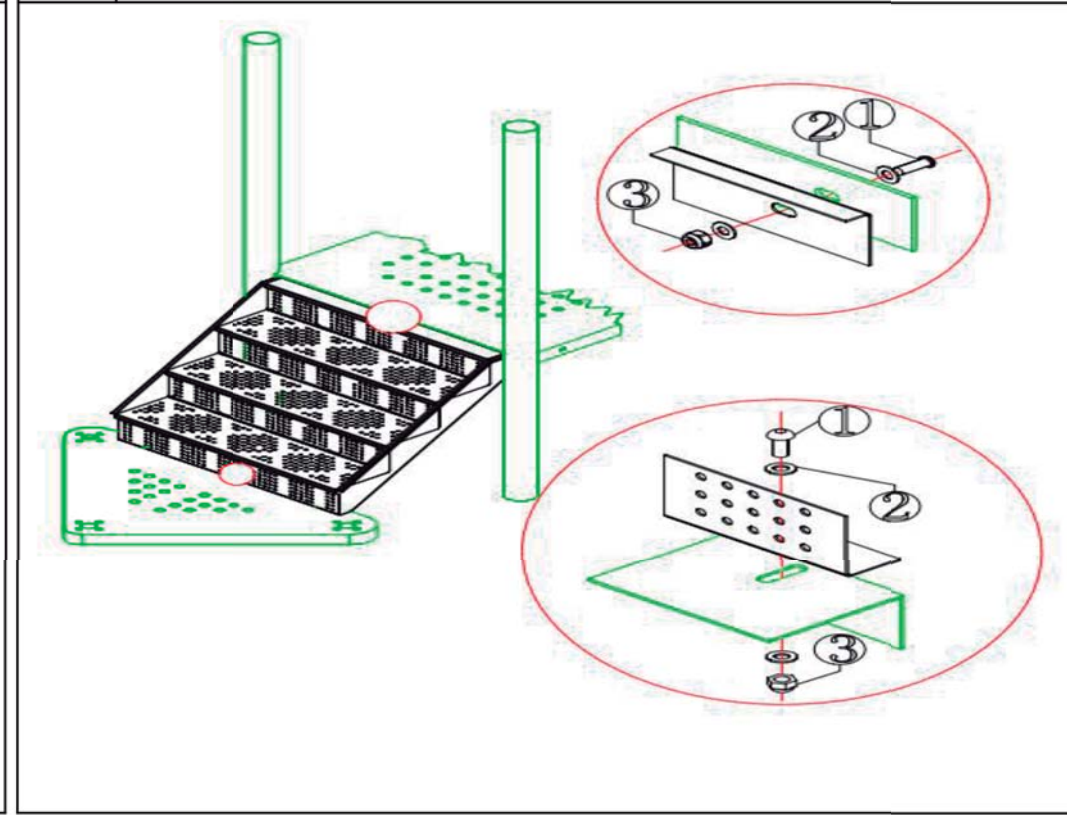
Remark



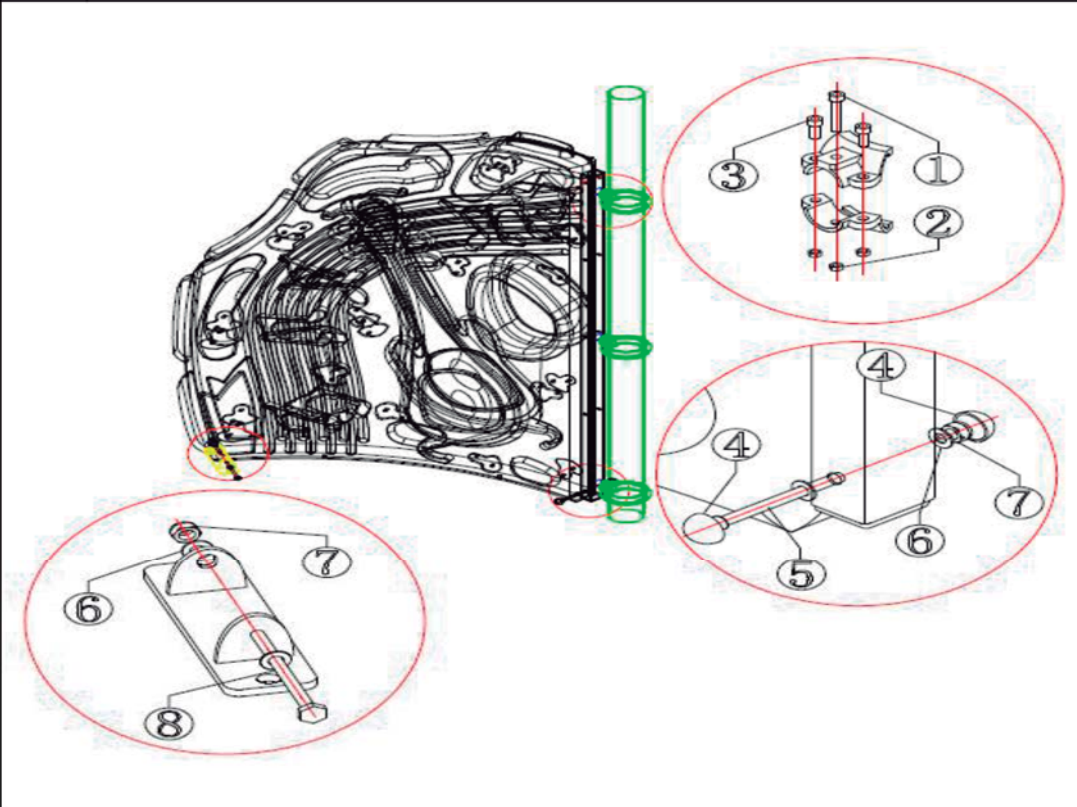
T-L012
Luxury three-step ladder

No.	Name	Specification	Qty	Picture
1	Fasten nut	M10	6	
2	Washer	M10*2	12	
3	Plum blossom cored bolt	M10*25	6	
4				
5				
6				
7				
8				
9				
10				

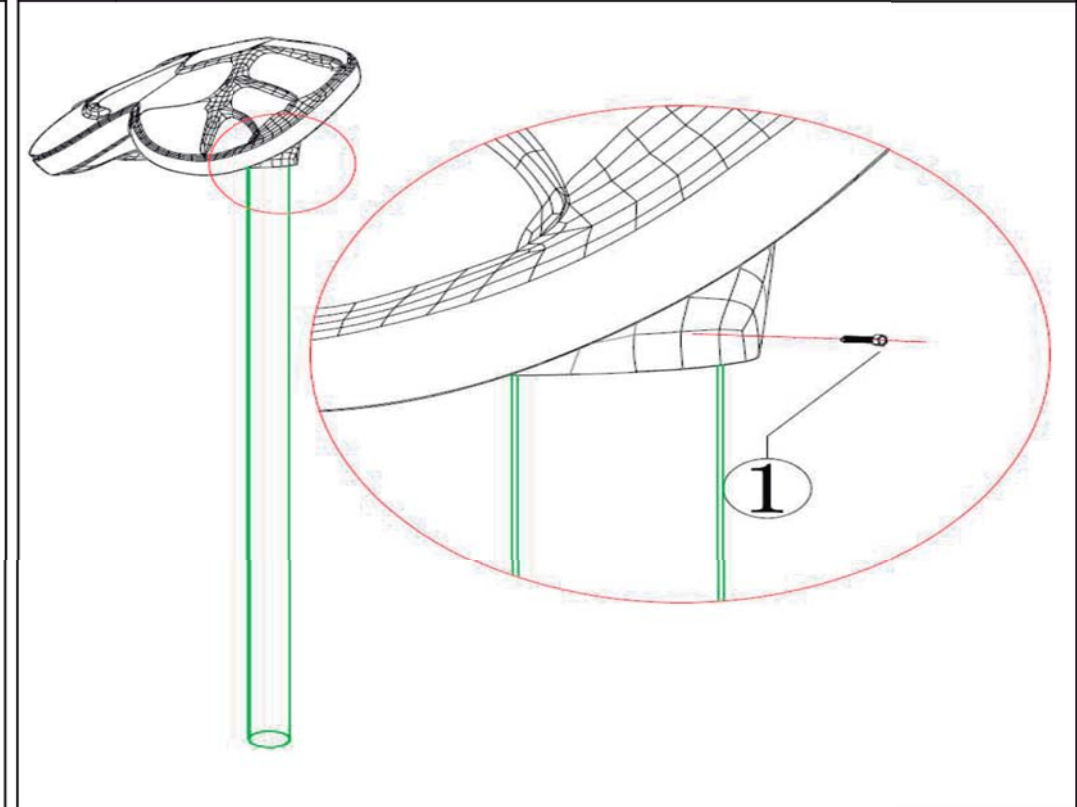
Remark

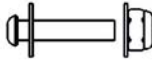


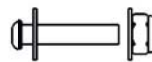
Module number Music guitar rock climbing				
No.	Specification	Name	Qty	Picture
1	M6*50	Inner hexagonal bolt	3	
2	M6	Nut	9	
3	M6*16	Inner hexagonal bolt	6	
4	M10	Plastic cover	10	
5	M10*85	outer Hexagonal bolt	5	
6	M10*2	Washer	12	
7	M10	Fasten nut	6	
8	M10*135	outer Hexagonal bolt	1	
9				
10				
Remark				

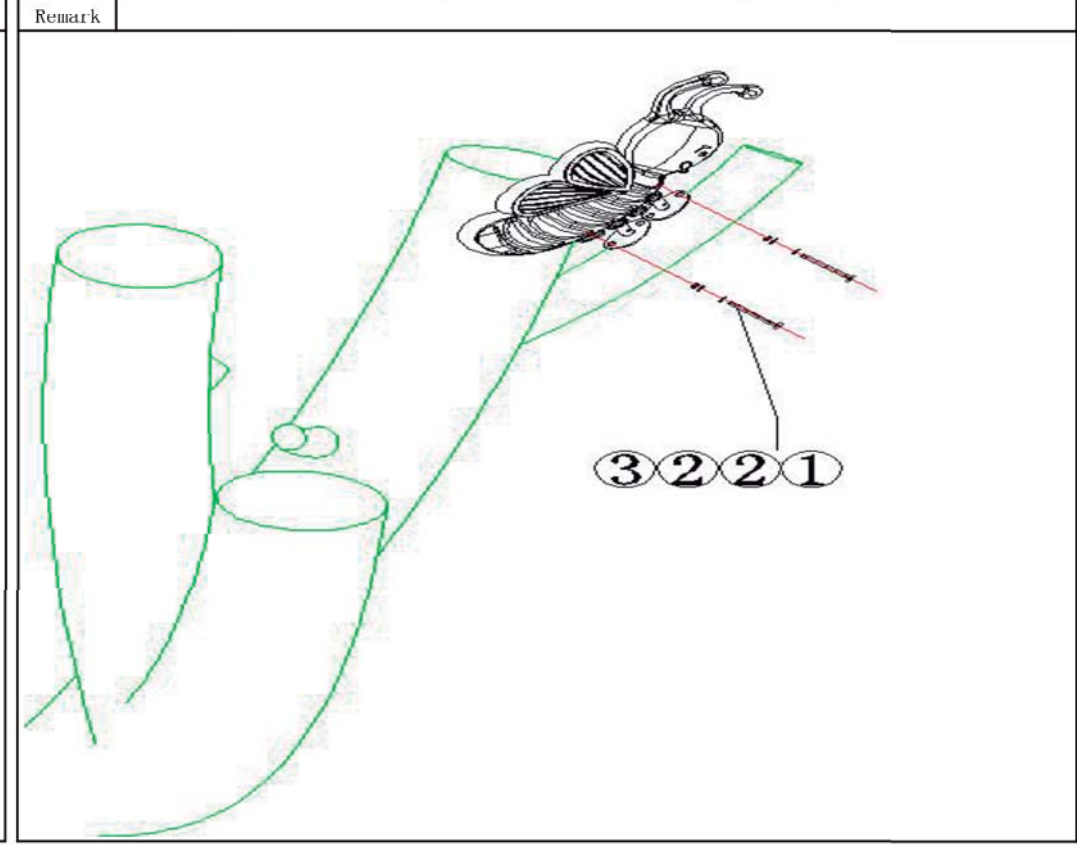
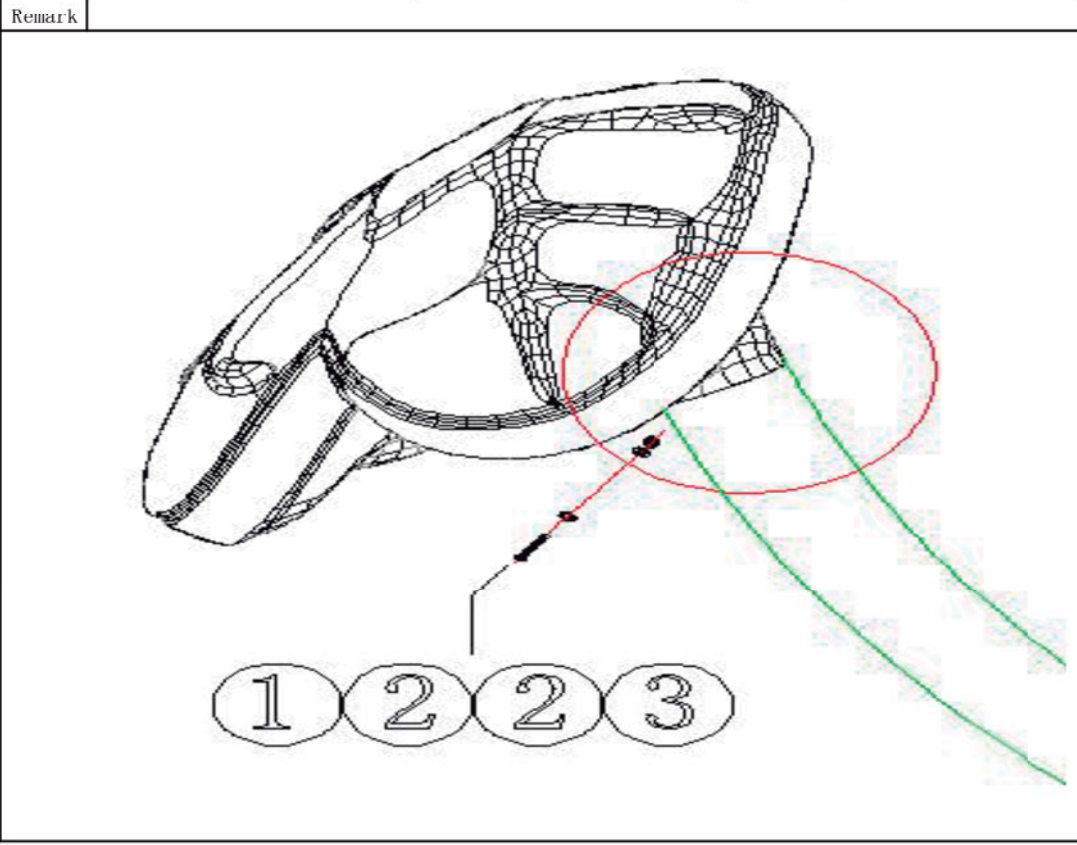


Module number Three leaf roof				
No.	Specification	Name	Qty	Picture
1	M5.5*55	self-tapping screw	1	
2				
3				
4				
5				
6				
7				
8				
9				
10				
Remark				

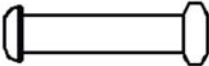


Module number Three leaf top with tree				
No.	Specification	Name	Qty	Picture
1	outer Hexagonal bolt	M10*180	1	
2	Washer	M10	2	
3	Screwnut	M10	1	
4				
5				
6				
7				
8				
9				
10				
Remark				

Module number New bee with the tree				
No.	Specification	Name	Qty	Picture
1	Inner hexagonal bolt	M10*110	2	
2	Washer	M10	4	
3	Screwnut	M10	2	
4				
5				
6				
7				
8				
9				
10				
Remark				



Module number
Trees stepped piles

No.	Specification	Name	Qty	Picture
1	Expansion screw	M8	2	
2				
3				
4				
5				
6				
7				
8				
9				
10				

