

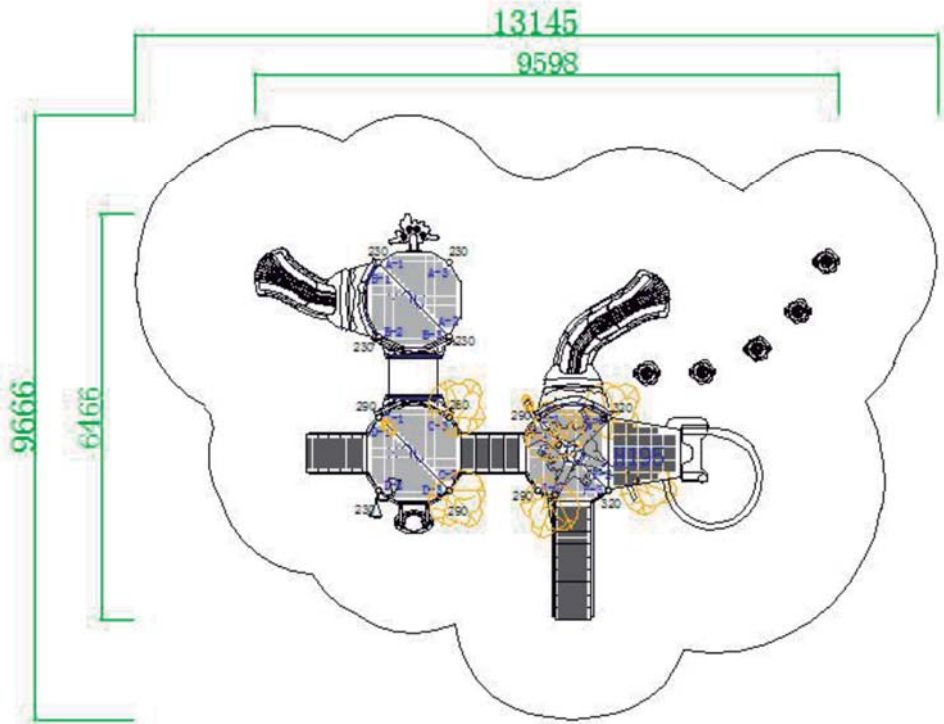


Última actualización 28/12/2017
Versión 1.0

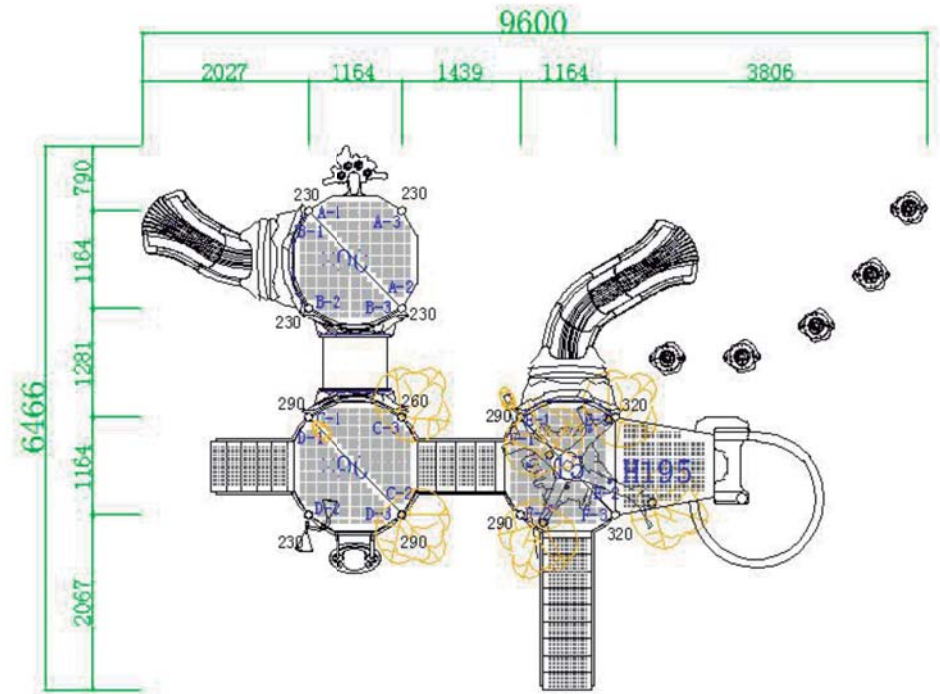
*IMAGEN REFERENCIAL

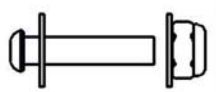



safety area :

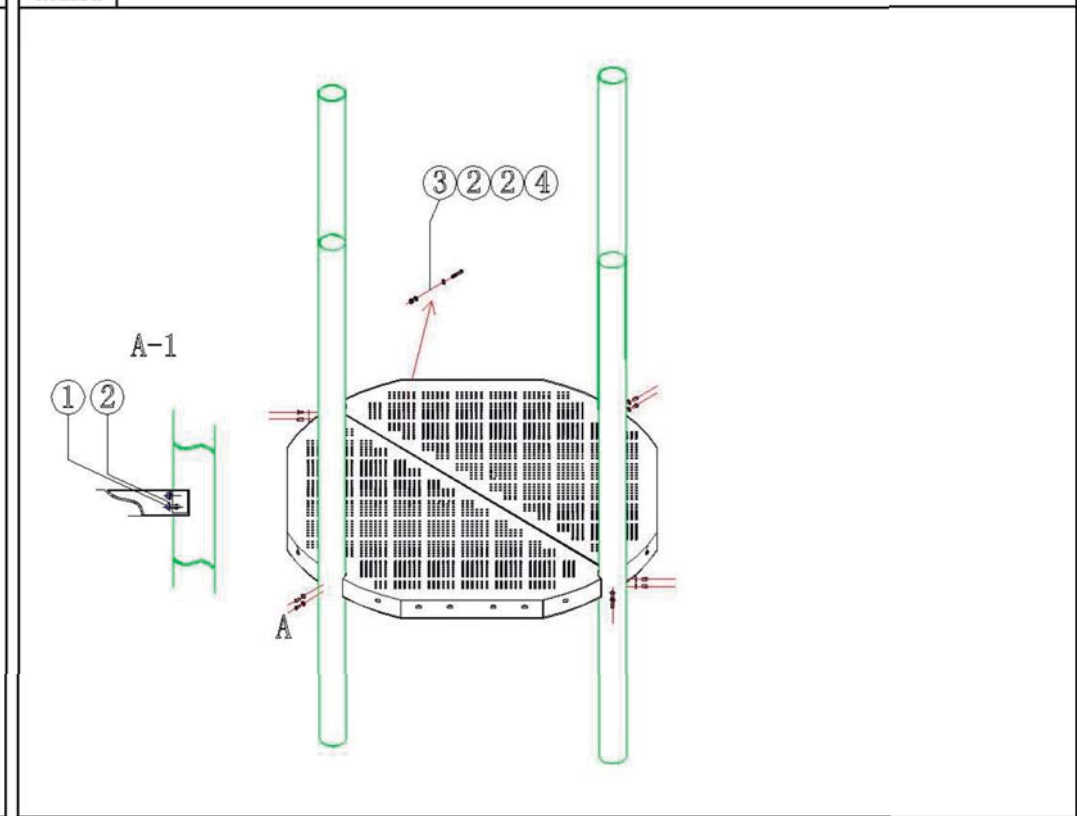
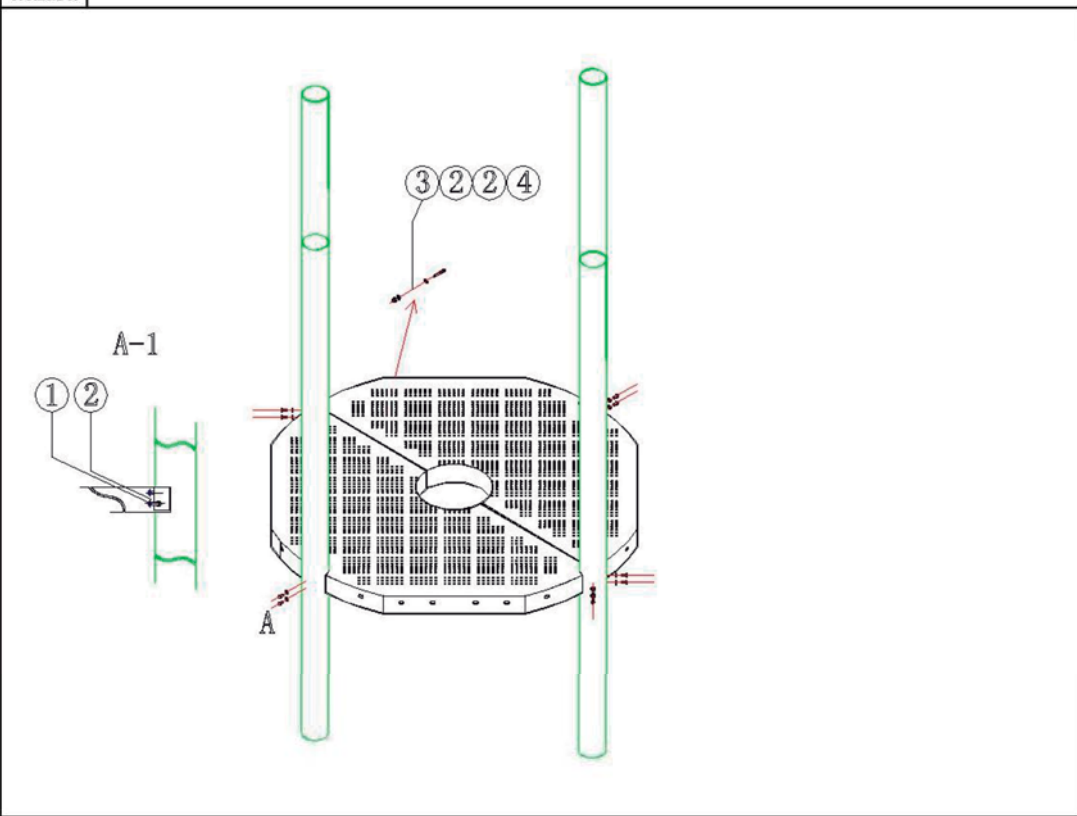


detail size :

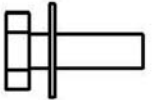


Module number Circular platform (sheet metal, middle Burrows)				
No.	Name	Specification	Qty	Picture
1	Plum blossom cored bolt	M10*30	12	
2	Washer	M10*2	18	
3	Plum blossom cored bolt	M10*25	6	
4	Screw nut	M10	6	
5				
6				
7				
8				
9				
10				
Remark				

Module number Circular platform (sheet metal)				
No.	Name	Specification	Qty	Picture
1	Plum blossom cored bolt	M10*30	12	
2	Washer	M10*2	20	
3	Plum blossom cored bolt	M10*25	7	
4	Screw nut	M10	7	
5				
6				
7				
8				
9				
10				
Remark				

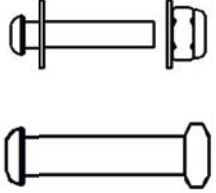


T-P012
 (120) Long oblique S platforms (195 high S slide)

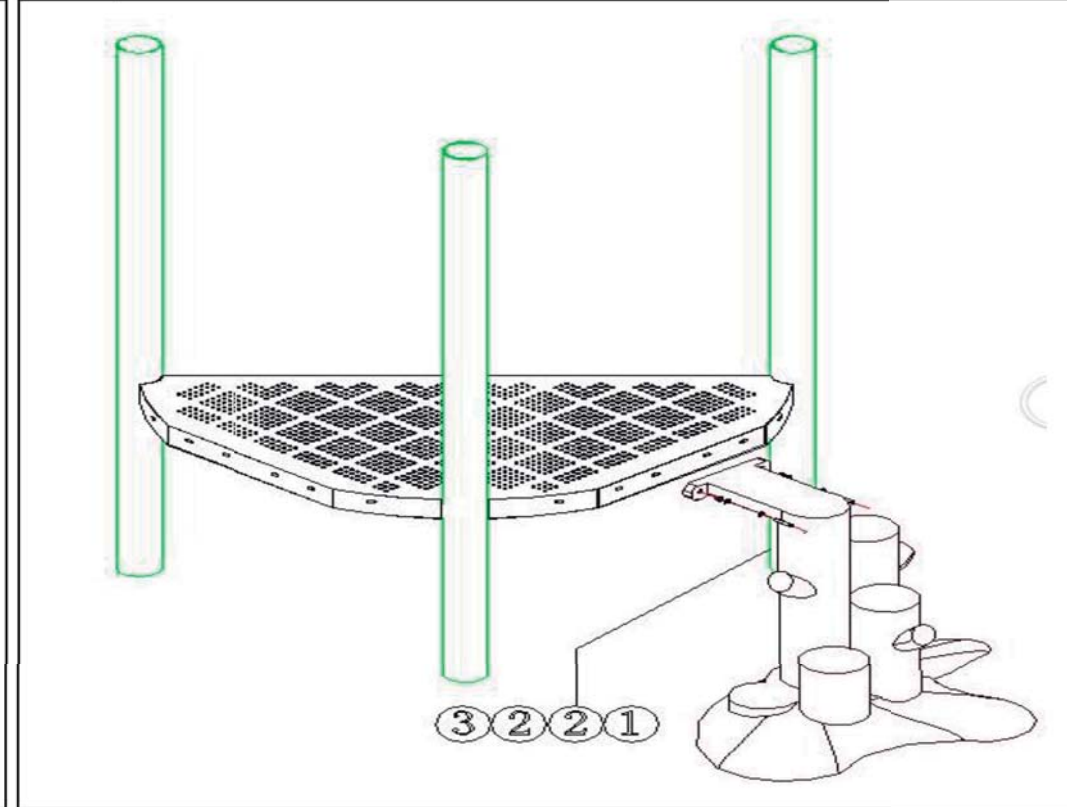
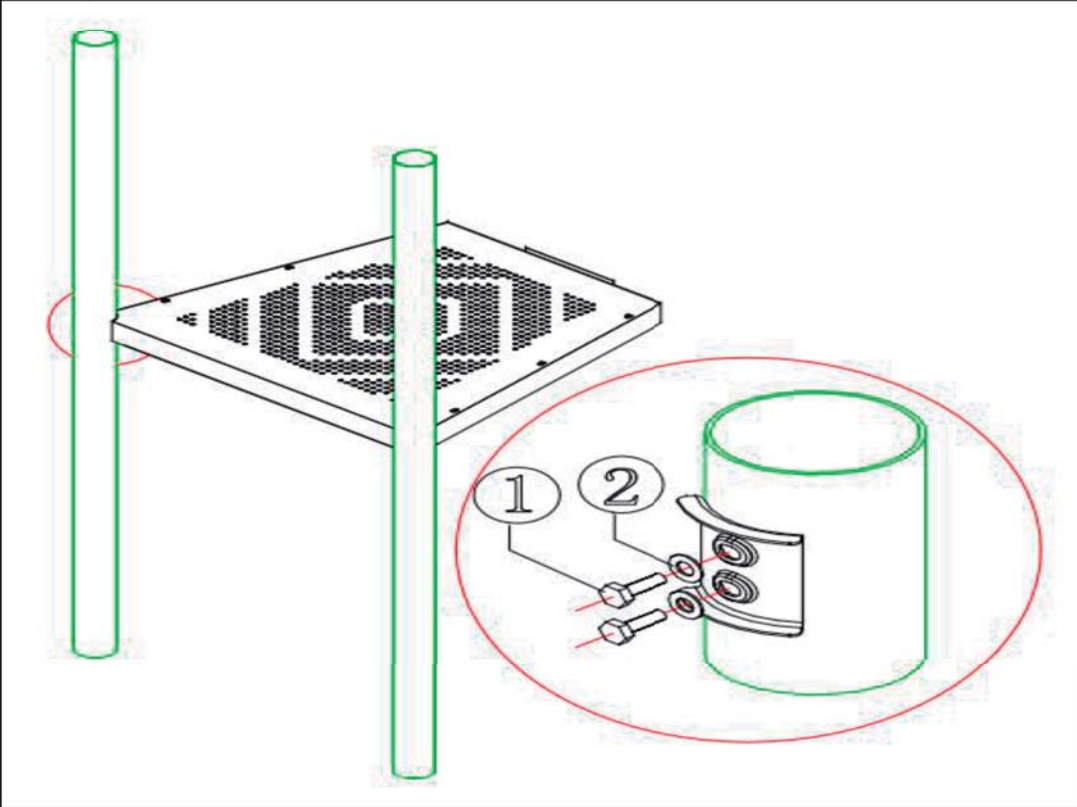
No.	Name	Specification	Qty	Picture
1	outer Hexagonal bolt	M10*30	4	
2	Washer	M10*2	4	
3				
4				
5				
6				
7				
8				
9				
10				

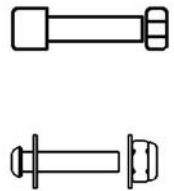
Remark

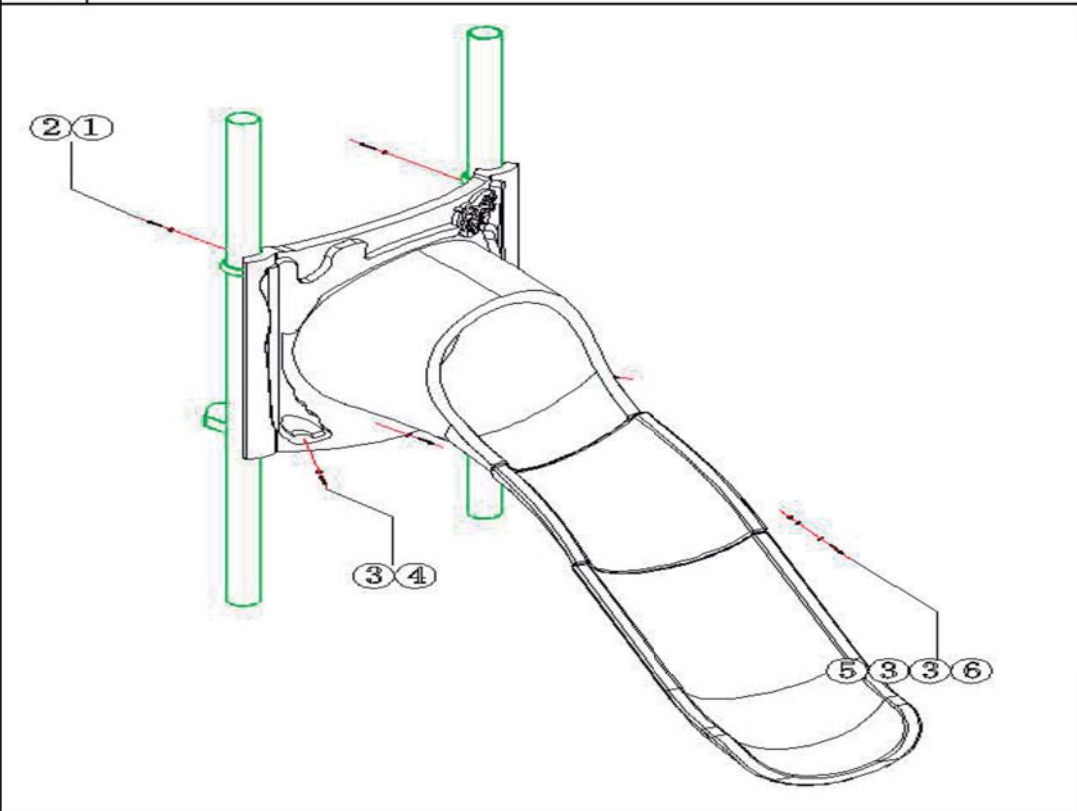
Module number
 Tree stairs

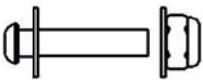
No.	Name	Specification	Qty	Picture
1	Plum blossom cored bolt	M10*60	2	
2	Washer	M10	4	
3	Screw nut	M10	2	
4	Expansion screw	M10	3	
5				
6				
7				
8				
9				
10				

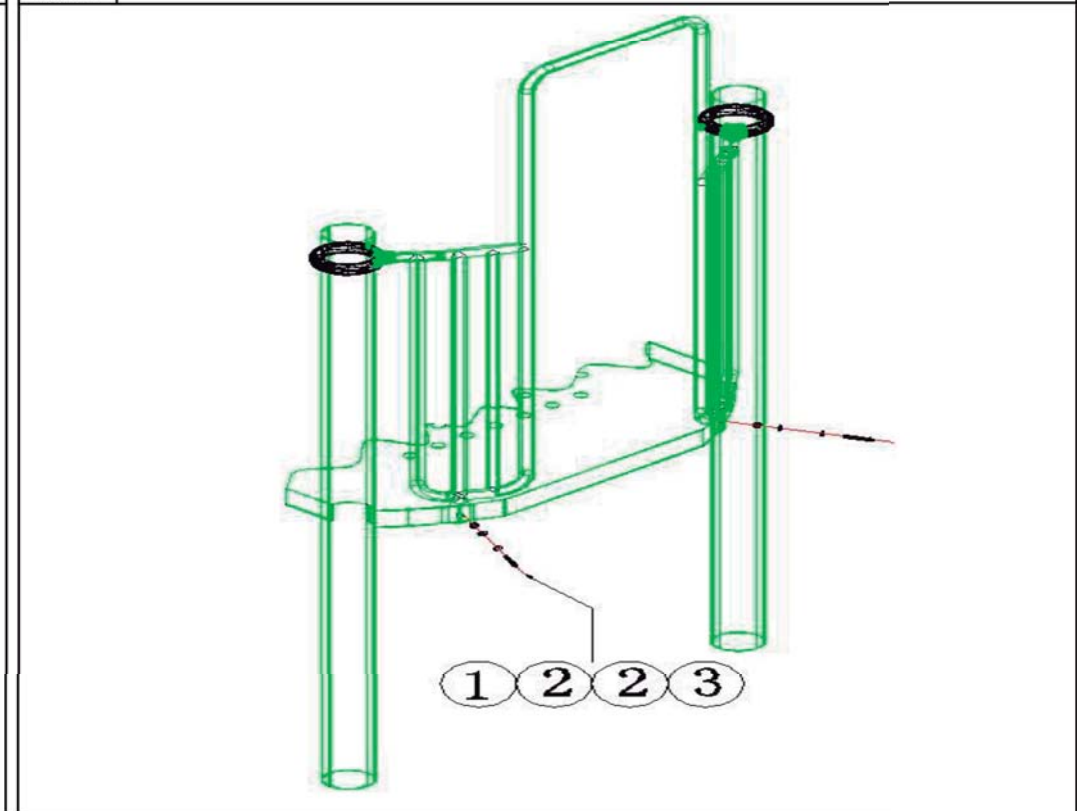
Remark

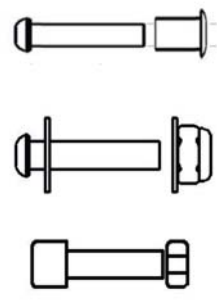


Module number spliced slides -3				
No.	Specification	Name	Qty	Picture
1	Inner hexagonal bolt	M8*20	2	
2	Washer	M8	2	
3	Washer	M10	40	
4	Plum blossom cored bolt	M10*20	4	
5	Plum blossom cored bolt	M10*60	12	
6	Screw nut	M10	12	
7				
8				
9				
10				
Remark				

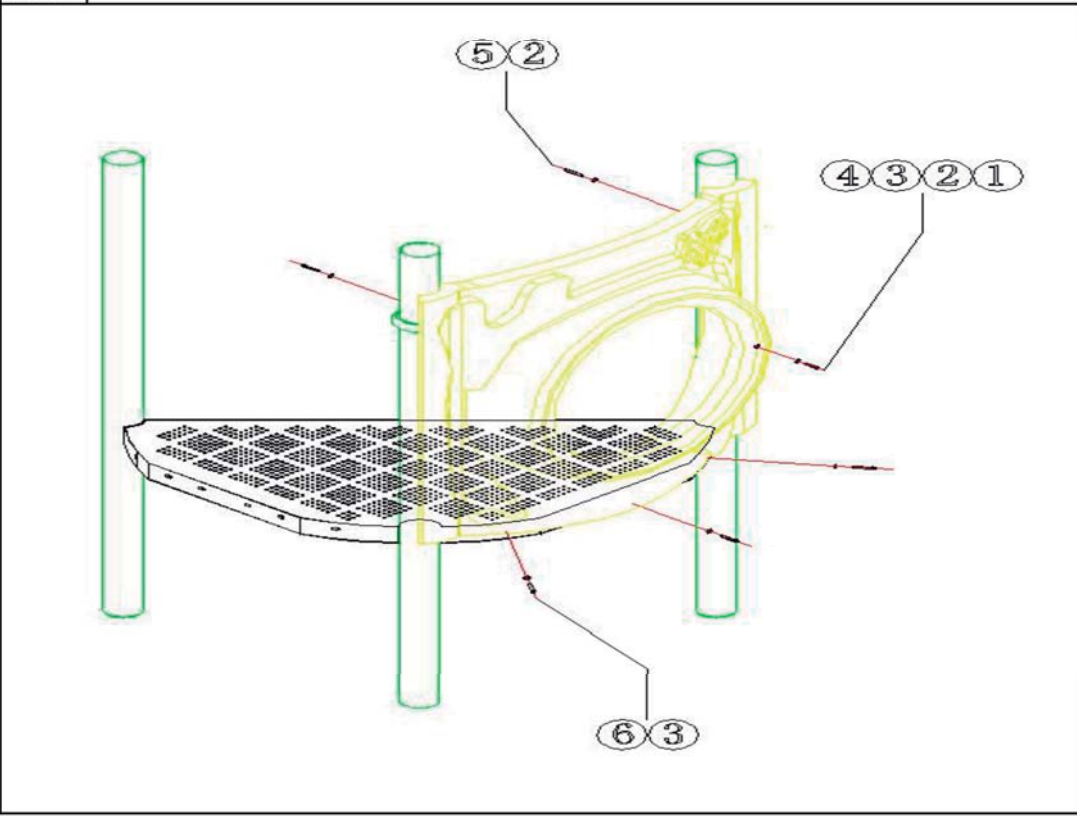


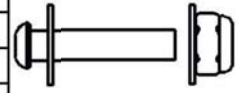
Module number Curved door ring				
No.	Name	Specification	Qty	Picture
1	Plum blossom cored bolt	M10*25	2	
2	Washer	M10	4	
3	Screw nut	M10	2	
4				
5				
6				
7				
8				
9				
10				
Remark				



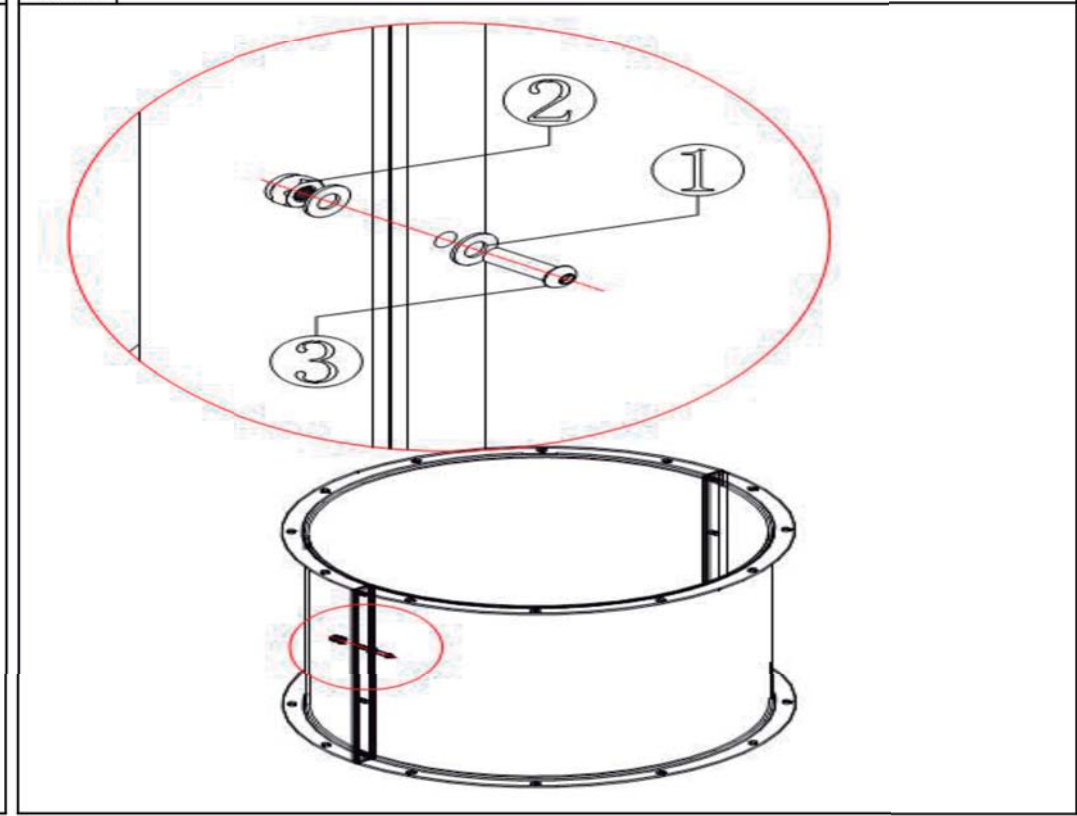
Module number Trees round the door (with bucket)				
No.	Name	Specification	Qty	Picture
1	Inner hexagonal bolt	M8*45	16	
2	Washer	M8	18	
3	Washer	M10	20	
4	Two head screw	M10*25	16	
5	Plum blossom cored bolt	M8*20	2	
6	Plum blossom cored bolt	M10*20	4	
7				
8				
9				
10				

Remark



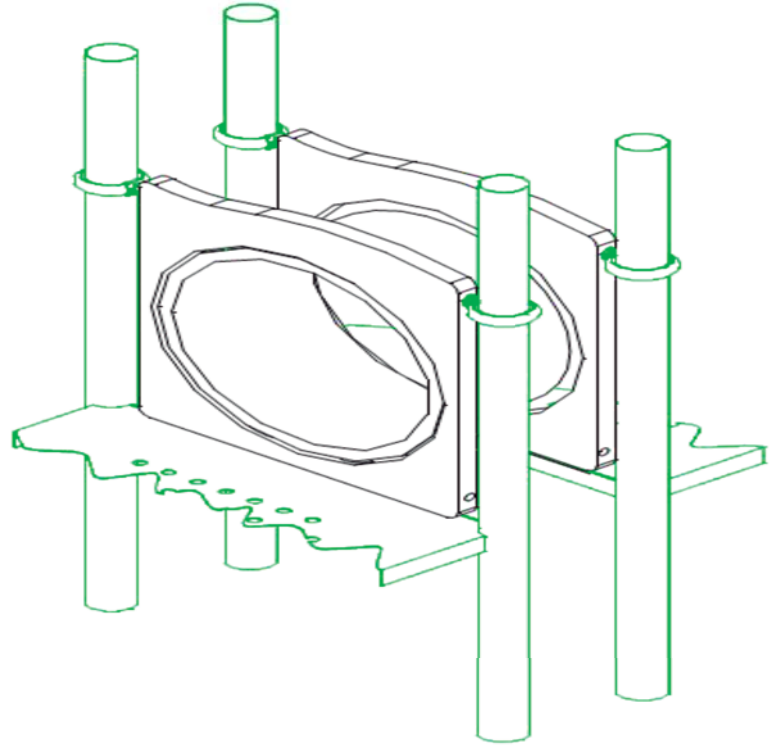
Module number 76#60Transparent straight bucket (interface)				
No.	Specification	Name	Qty	Picture
1	M8*2	Washer	16	
2	M8*30	Inner hexagonal bolt	8	
3	M8	securing nut	8	
4				
5				
6				
7				
8				
9				
10				

Remark



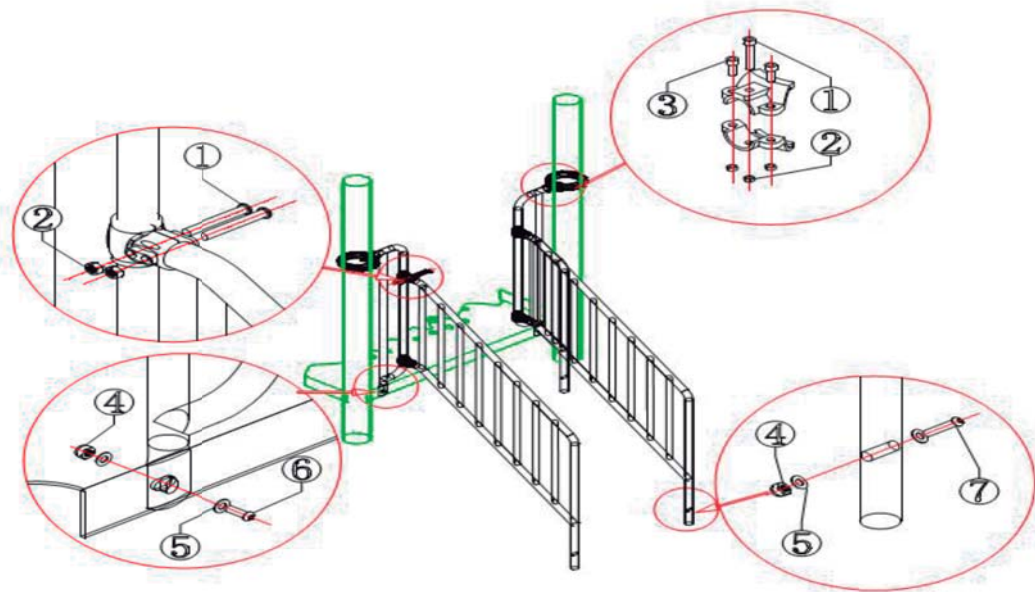
Module number platforms one barrel140				
No.	Specification	Name	Qty	Picture
1				
2				
3				
4				
5				
6				
7				
8				
9				
10				

Remark

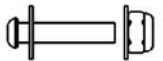


T-F011 90Floor six-step ladder handrails				
No.	Specification	Name	Qty	Picture
1	M6*50	Inner hexagonal bolt	10	
2	M6	nut	14	
3	M6*16	Inner hexagonal bolt	4	
4	M10	Screw nut	4	
5	M10*2	Washer	8	
6	M10*25	Plum blossom cored bolt	2	
7	M10*55	Plum blossom cored bolt	2	
8				
9				
10				

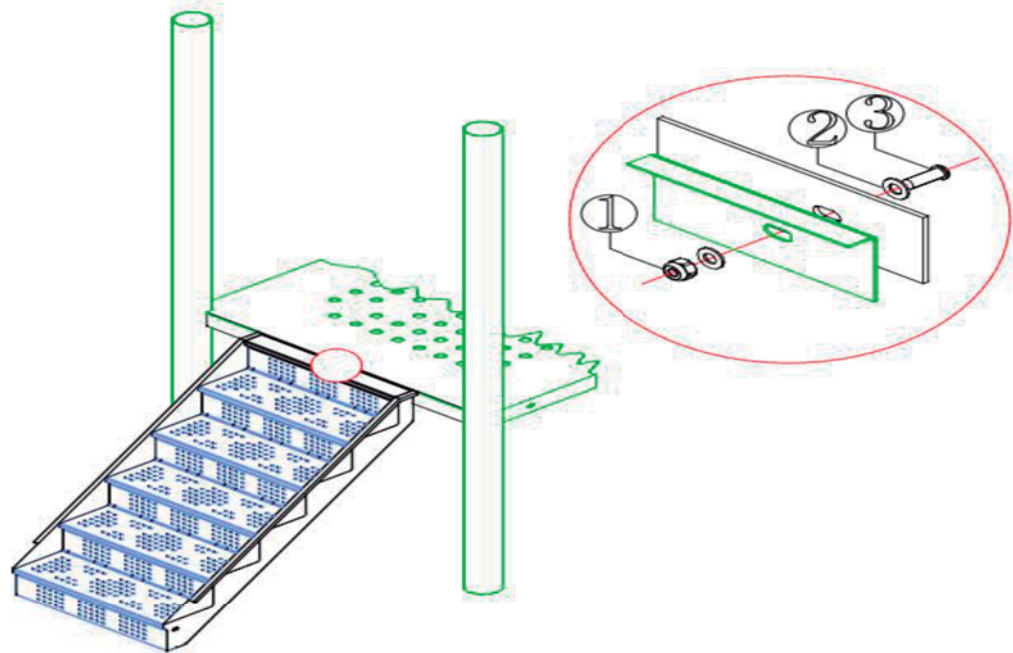
Remark



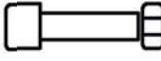
T-L006
(90 high) landed six step ladder

No.	Name	Specification	Qty	Picture
1	Screw nut	M10	3	
2	Washer	M10*2	6	
3	Plum blossom cored bolt	M10*25	3	
4				
5				
6				
7				
8				
9				
10				

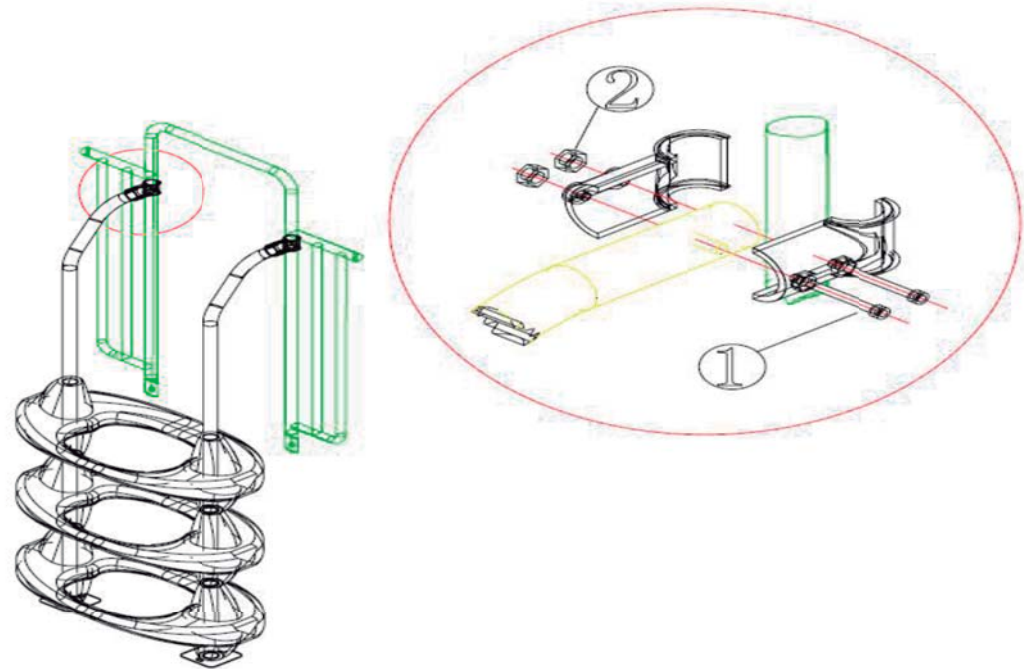
Remark



Module number
Oval ladder

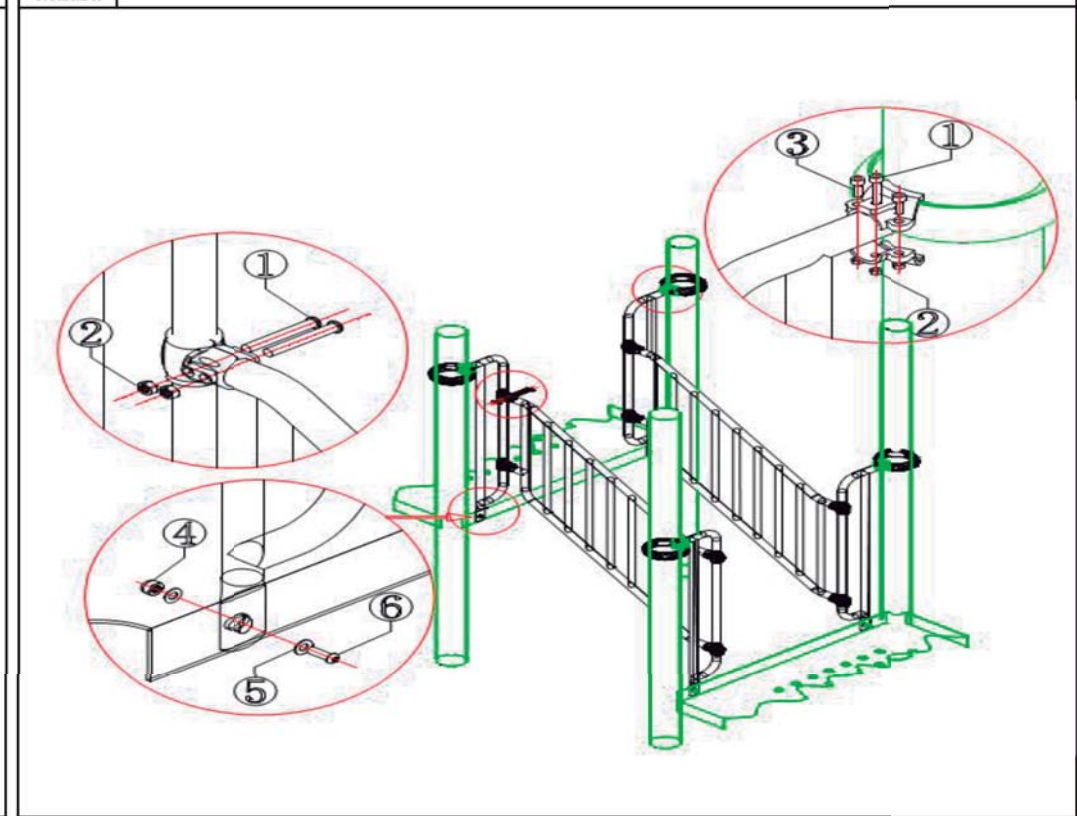
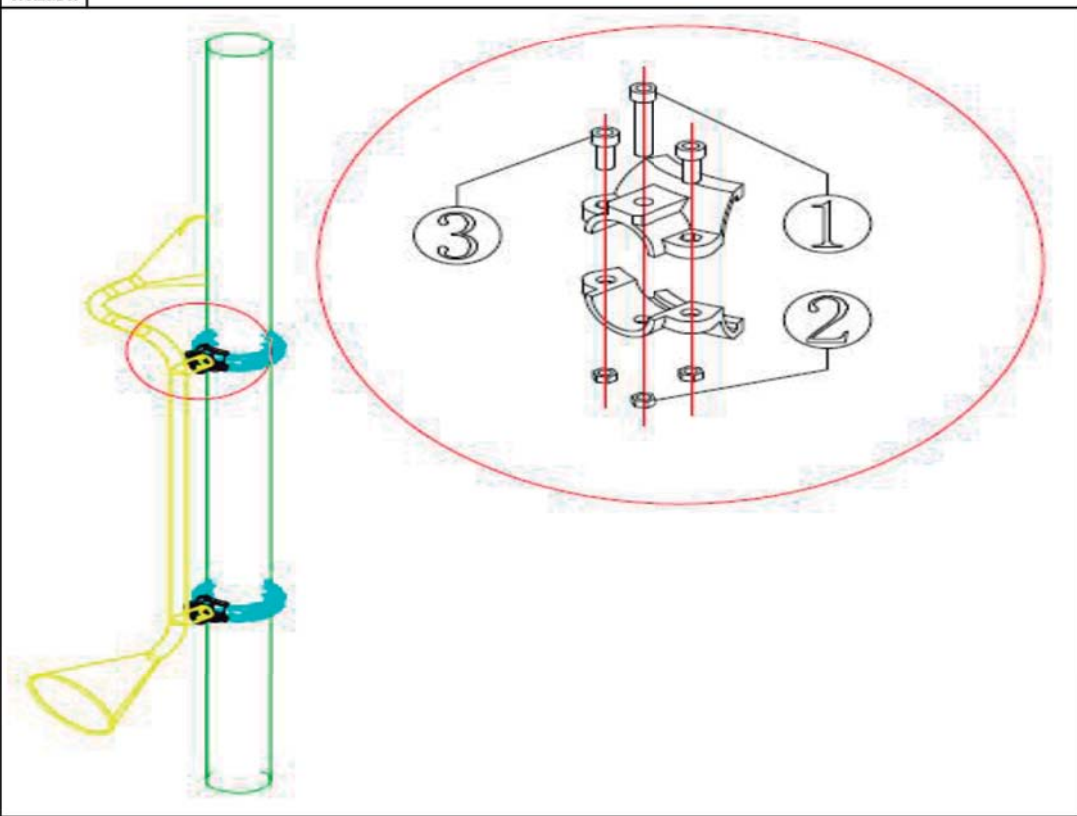
No.	Specification	Name	Qty	Picture
1	M6*52	Inner hexagonal bolt	4	
2	M6	nut	4	
3				
4				
5				
6				
7				
8				
9				
10				

Remark



Module number Horn (left)				
No.	Specification	Name	Qty	Picture
1	M6*50	Inner hexagonal bolt	2	
2	M6	nut	6	
3	M6*16	Inner hexagonal bolt	4	
4				
5				
6				
7				
8				
9				
10				
Remark				

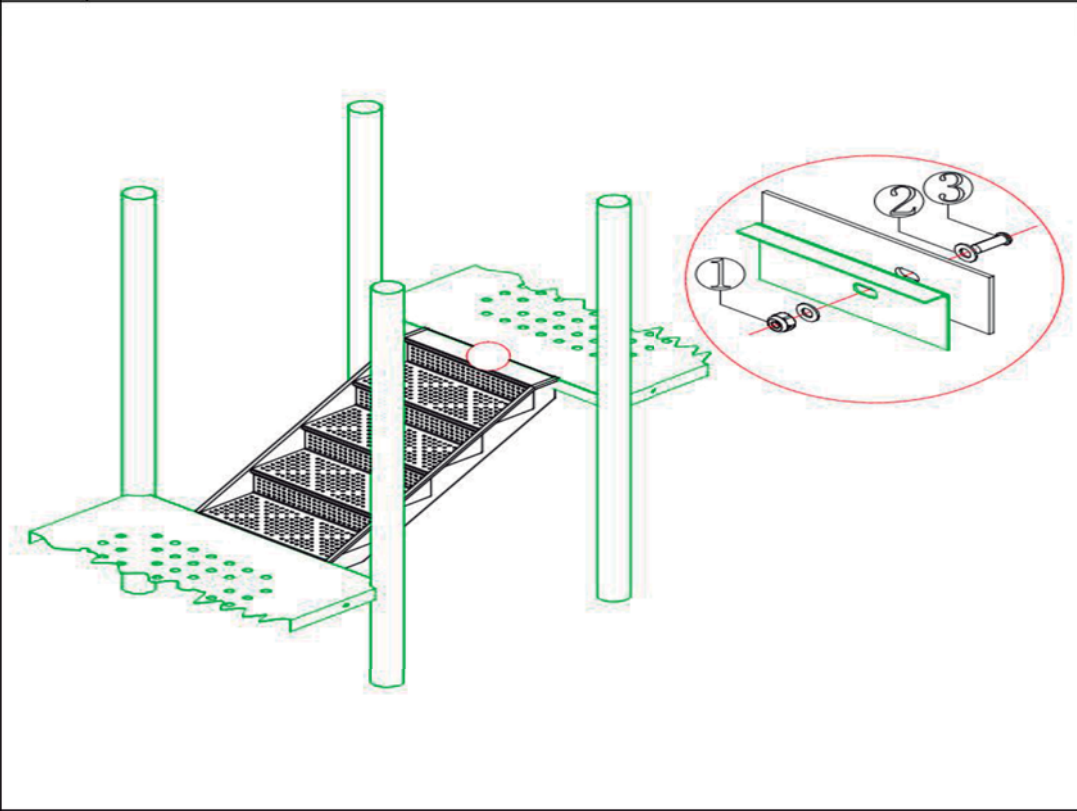
T-F005 60 platforms three-step ladder handrails				
No.	Specification	Name	Qty	Picture
1	M6*50	Inner hexagonal bolt	20	
2	M6	nut	28	
3	M6*16	Inner hexagonal bolt	8	
4	M10	Screw nut	4	
5	M10*2	Washer	8	
6	M10*25	Plum blossom cored bolt	4	
7				
8				
9				
10				
Remark				



T-L005
(60 high) platform three-step ladder

No.	Name	Specification	Qty	Picture
1	Screw nut	M10	6	
2	Washer	M10*2	12	
3	Plum blossom cored bolt	M10*25	6	
4				
5				
6				
7				
8				
9				
10				

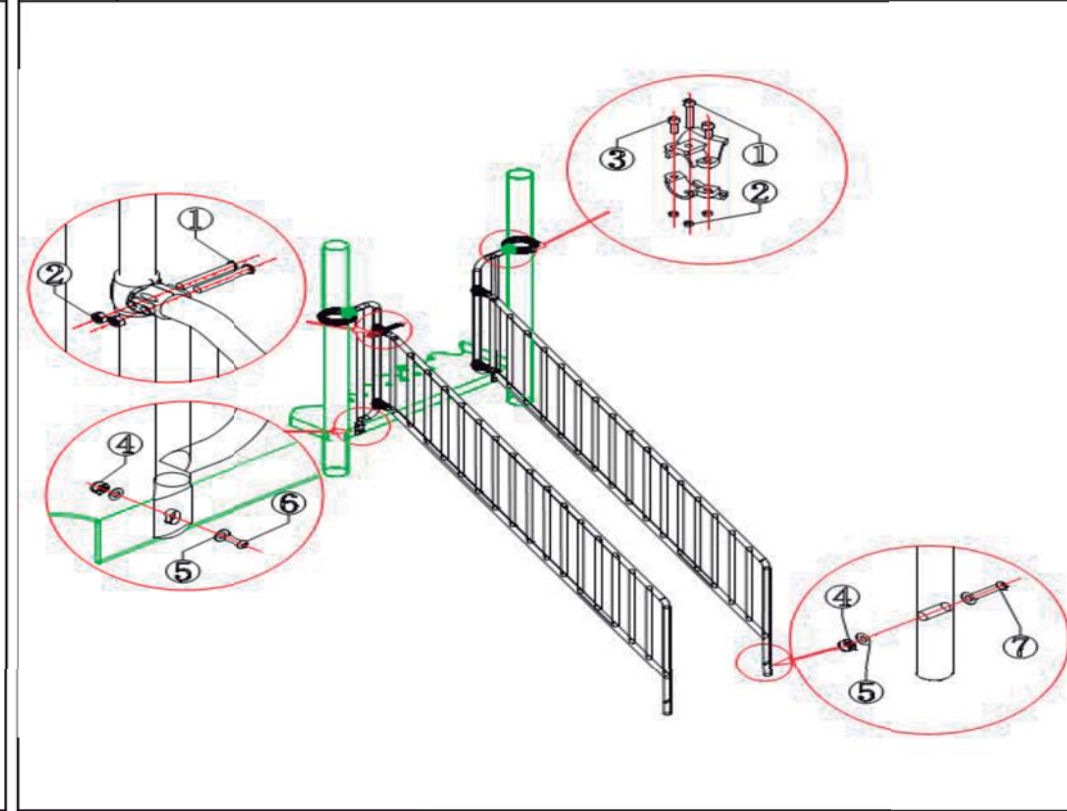
Remark



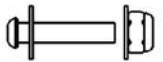
T-F013
150Ten step ladder handrail

No.	Specification	Name	Qty	Picture
1	M6*50	Inner hexagonal bolt	10	
2	M6	nut	14	
3	M6*16	Inner hexagonal bolt	4	
4	M10	Screw nut	4	
5	M10*2	Washer	8	
6	M10*25	Plum blossom cored bolt	2	
7	M10*55	Plum blossom cored bolt	2	
8				
9				
10				

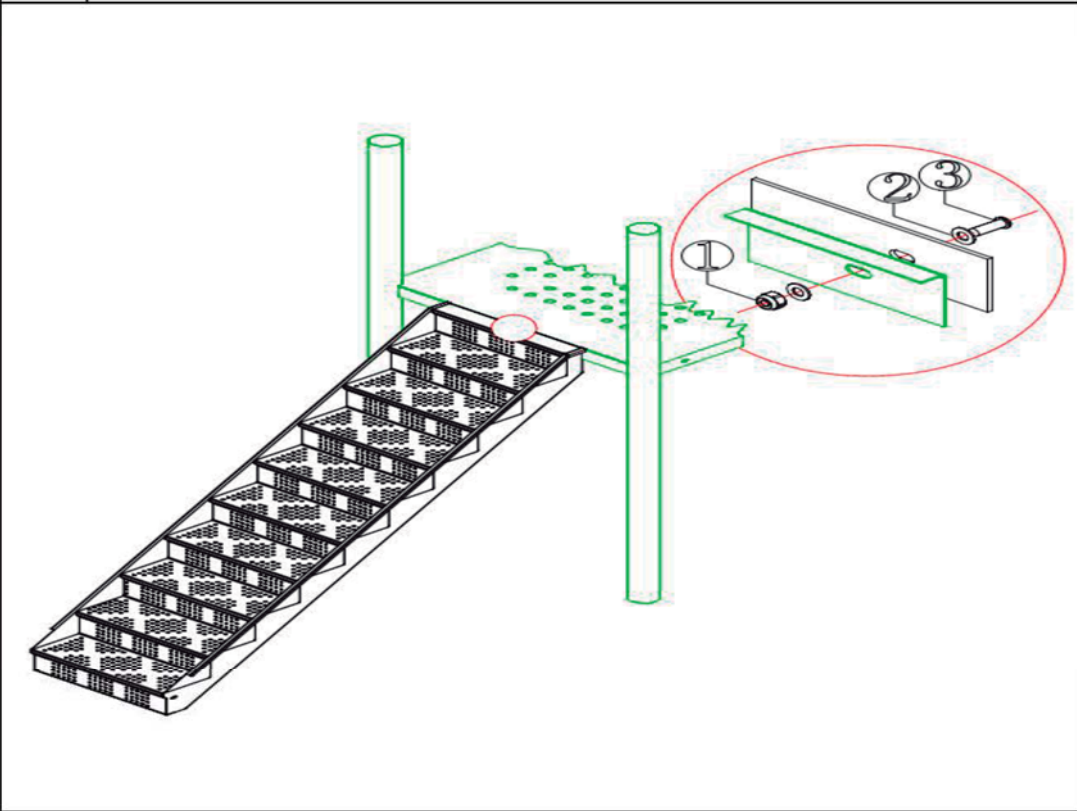
Remark



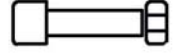
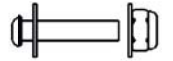
T-L010
(150 high) landing ten steps ladder

No.	Name	Specification	Qty	Picture
1	Screw nut	M10	3	
2	Washer	M10*2	6	
3	Plum blossom cored bolt	M10*25	3	
4				
5				
6				
7				
8				
9				
10				

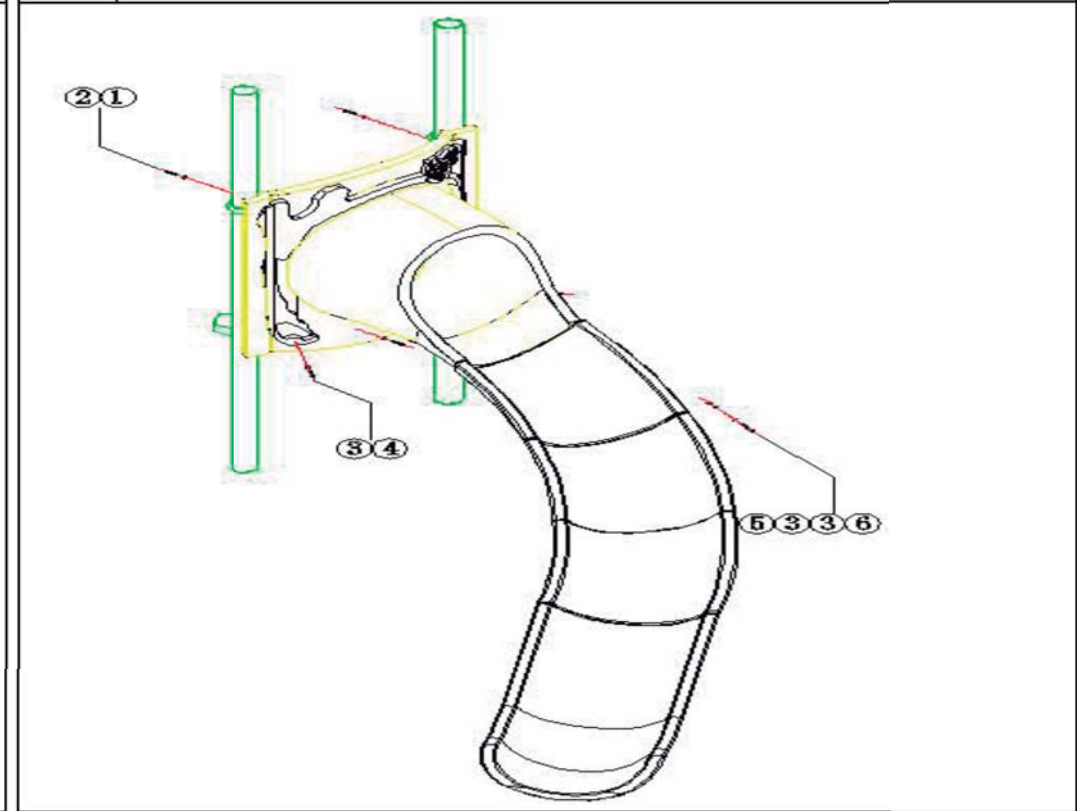
Remark



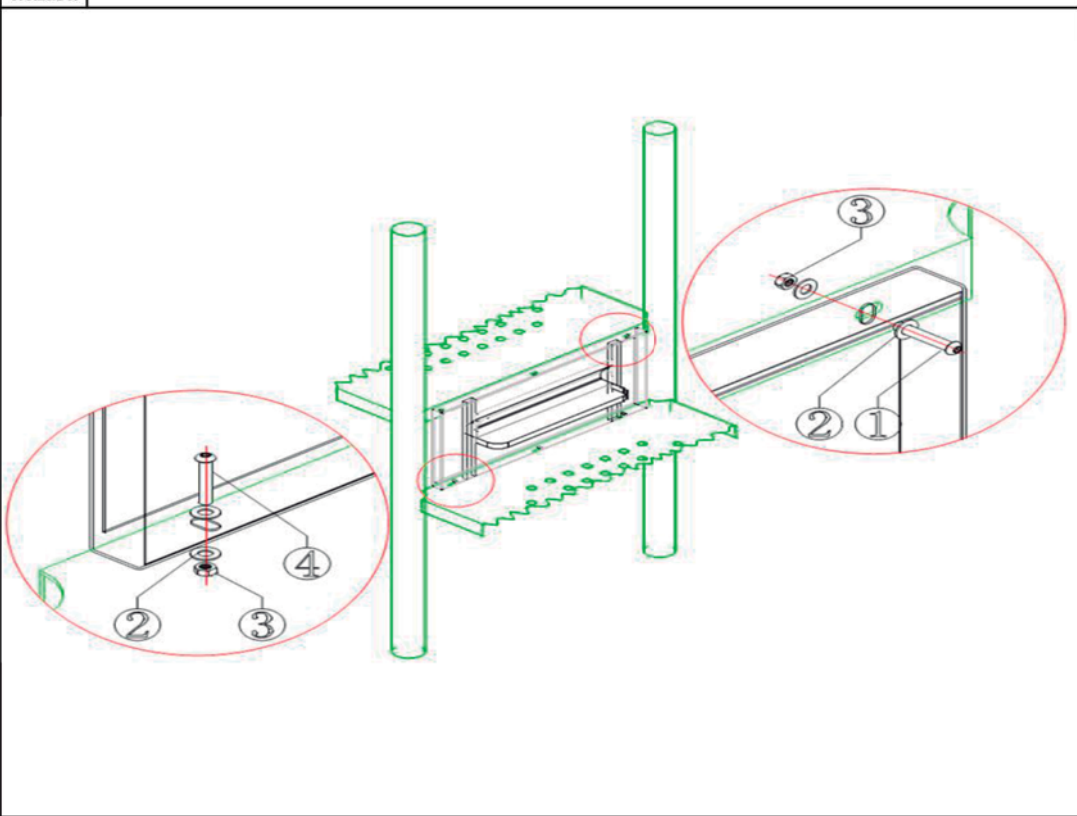
Module number
spliced slides -1

No.	Specification	Name	Qty	Picture
1	Inner hexagonal bolt	M8*20	2	 
2	Washer	M8	2	
3	Washer	M10	52	
4	Plum blossom cored bolt	M10*20	4	
5	Plum blossom cored bolt	M10*60	24	
6	Screw nut	M10	24	
7				
8				
9				
10				

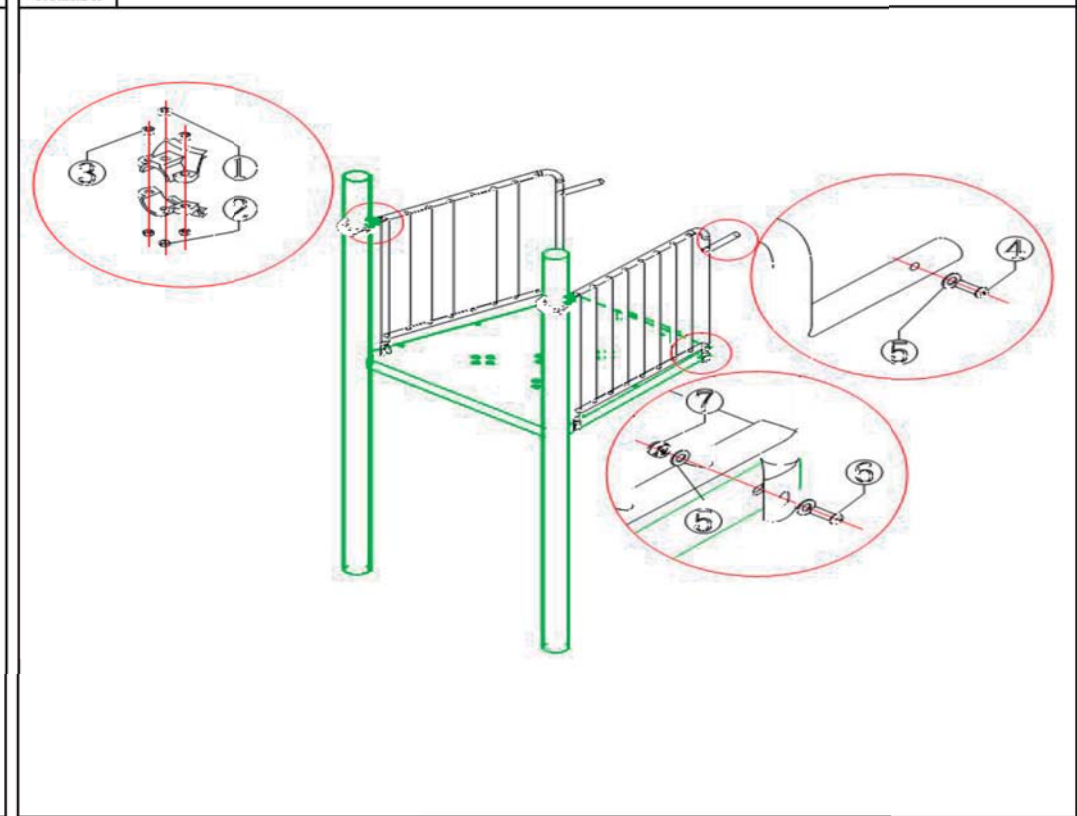
Remark



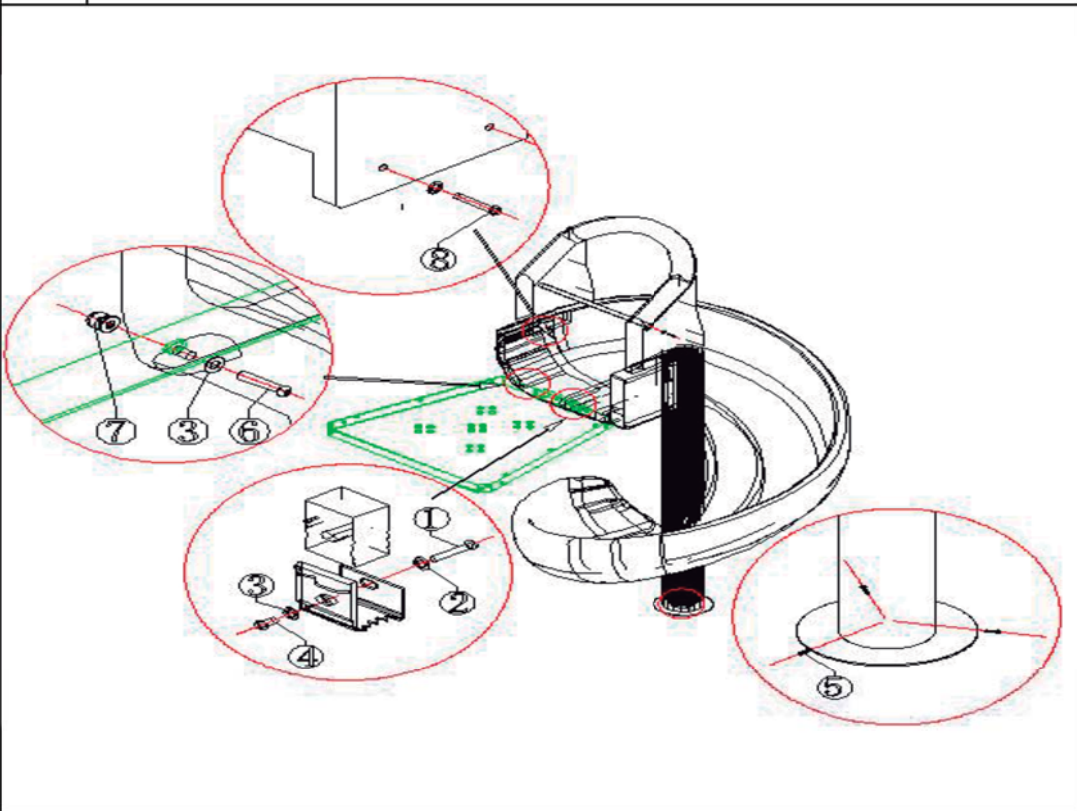
Module number one step				
No.	Specification	Name	Qty	Picture
1	M10*20	Plum blossom cored bolt	3	
2	M10*2	Washer	9	
3	M10	Screw nut	3	
4	M10*55	Plum blossom cored bolt	3	
5				
6				
7				
8				
9				
10				
Remark				



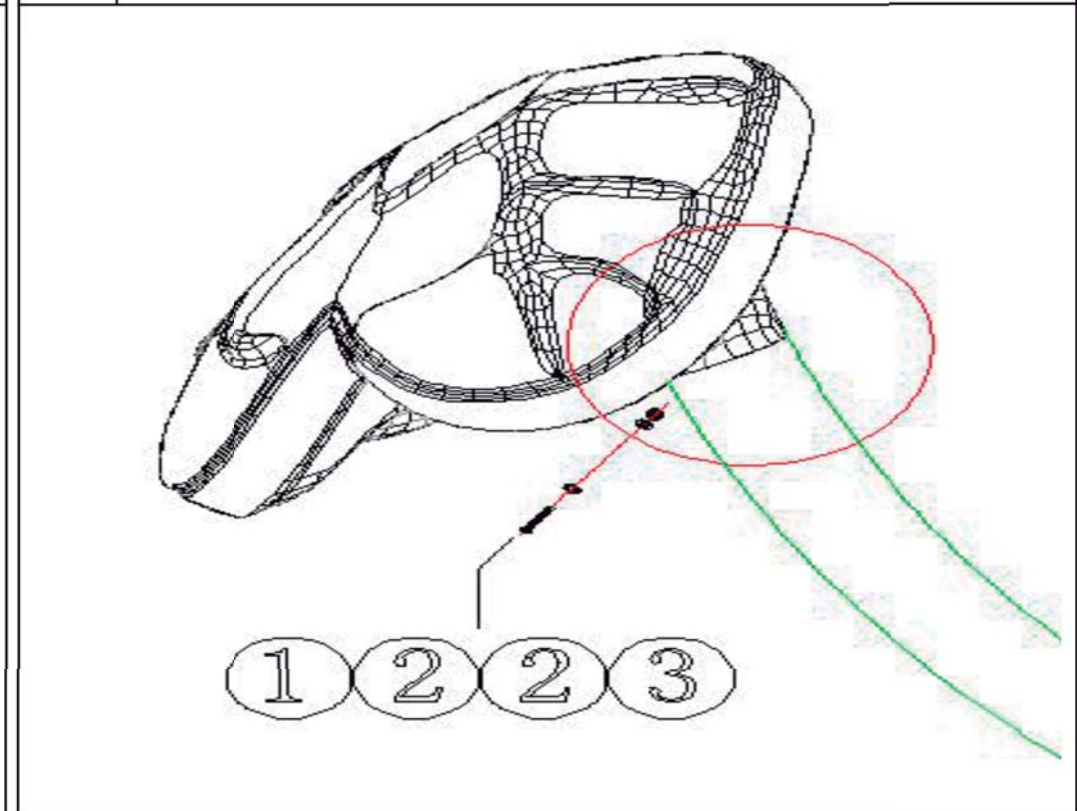
T-F035 195 high S slide with doors armrest				
No.	Specification	Name	Qty	Picture
1	M6*50	Inner hexagonal bolt	2	
2	M6	nut	6	
3	M6*16	Inner hexagonal bolt	4	
4	M10*40	Plum blossom cored bolt	2	
5	M10*2	Washer	10	
6	M10*25	Plum blossom cored bolt	4	
7	M10	Screw nut	4	
8				
9				
10				
Remark				

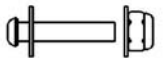


Module number 195 High S slide				
No.	Specification	Name	Qty	Picture
1	M8*55	Inner hexagonal bolt	2	
2	M8*2	Washer	2	
3	M10*2	Washer	12	
4	M10*25	Two head nut	2	
5	M5.5*55	self-tapping screw	3	
6	M10*35	Plum blossom cored	2	
7	M10	Screw nut	2	
8	M10*27	Plum blossom cored	6	
9				
10				
Remark				

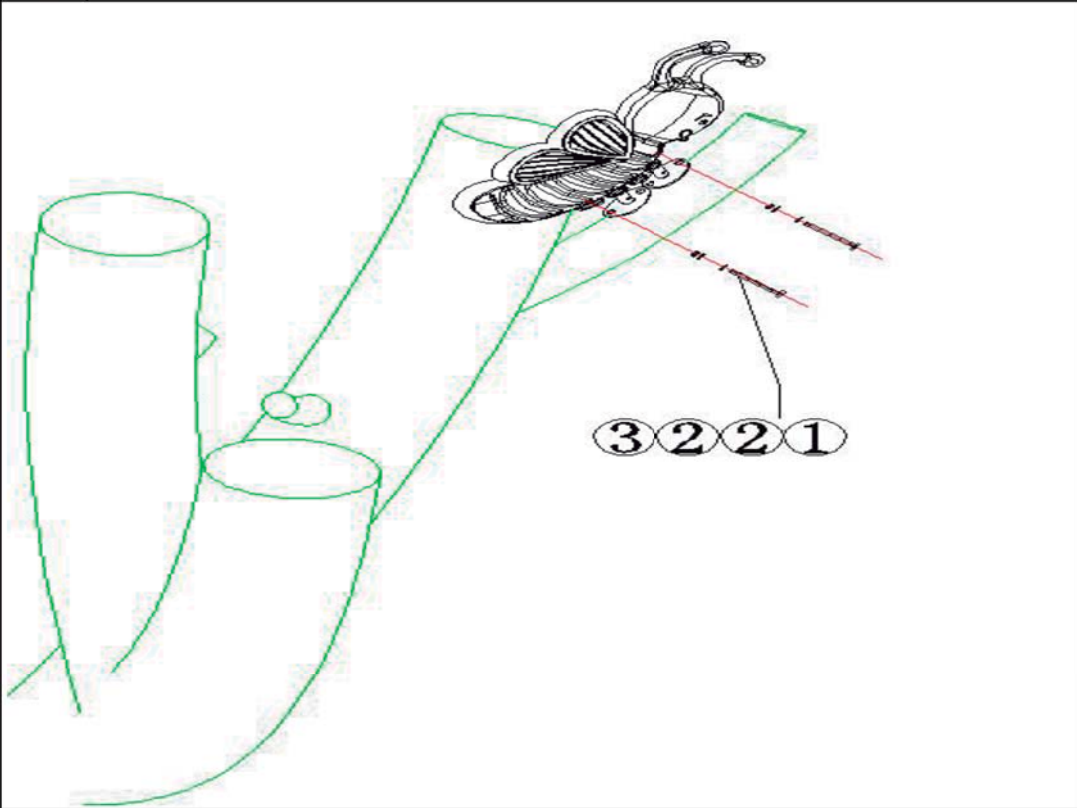


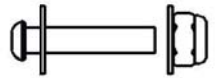
Module number Three leaf with tree				
No.	Specification	Name	Qty	Picture
1	outer Hexagonal bolt	M10*180	1	
2	Washer	M10	2	
3	Screw nut	M10	1	
4				
5				
6				
7				
8				
9				
10				
Remark				



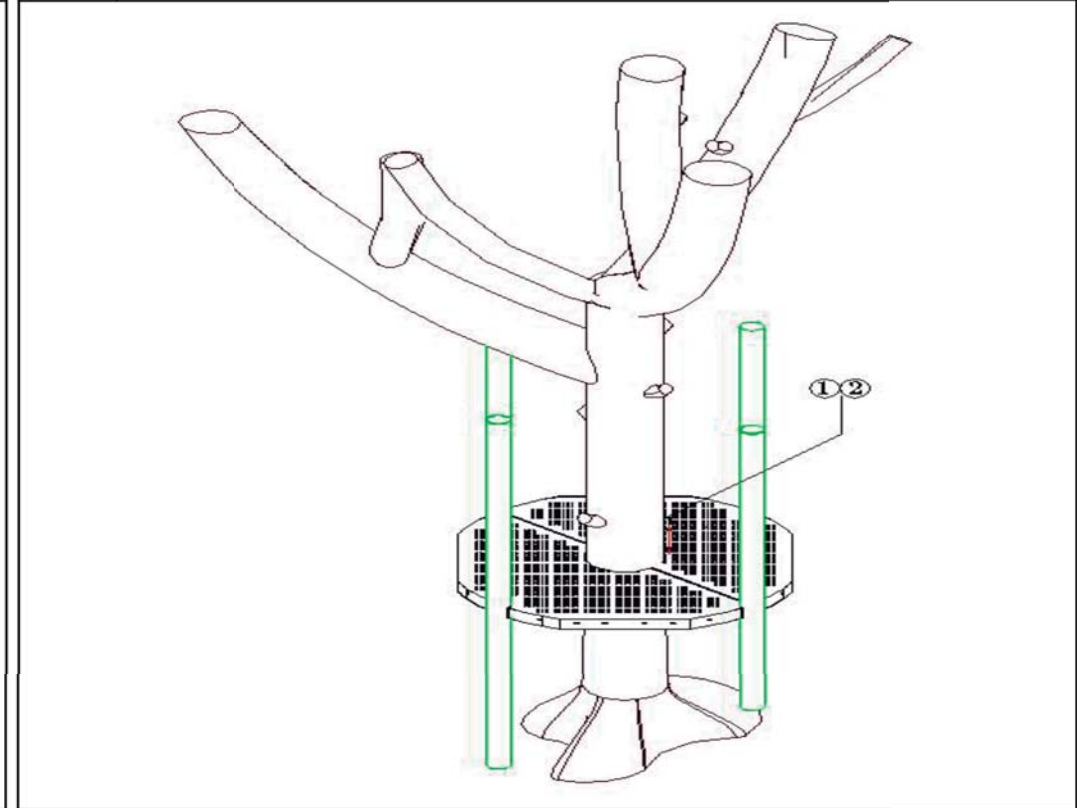
Module number New bee with the tree				
No.	Specification	Name	Qty	Picture
1	Inner hexagonal bolt	M10*110	2	
2	Washer	M10	4	
3	Screw nut	M10	2	
4				
5				
6				
7				
8				
9				
10				

Remark

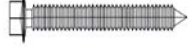


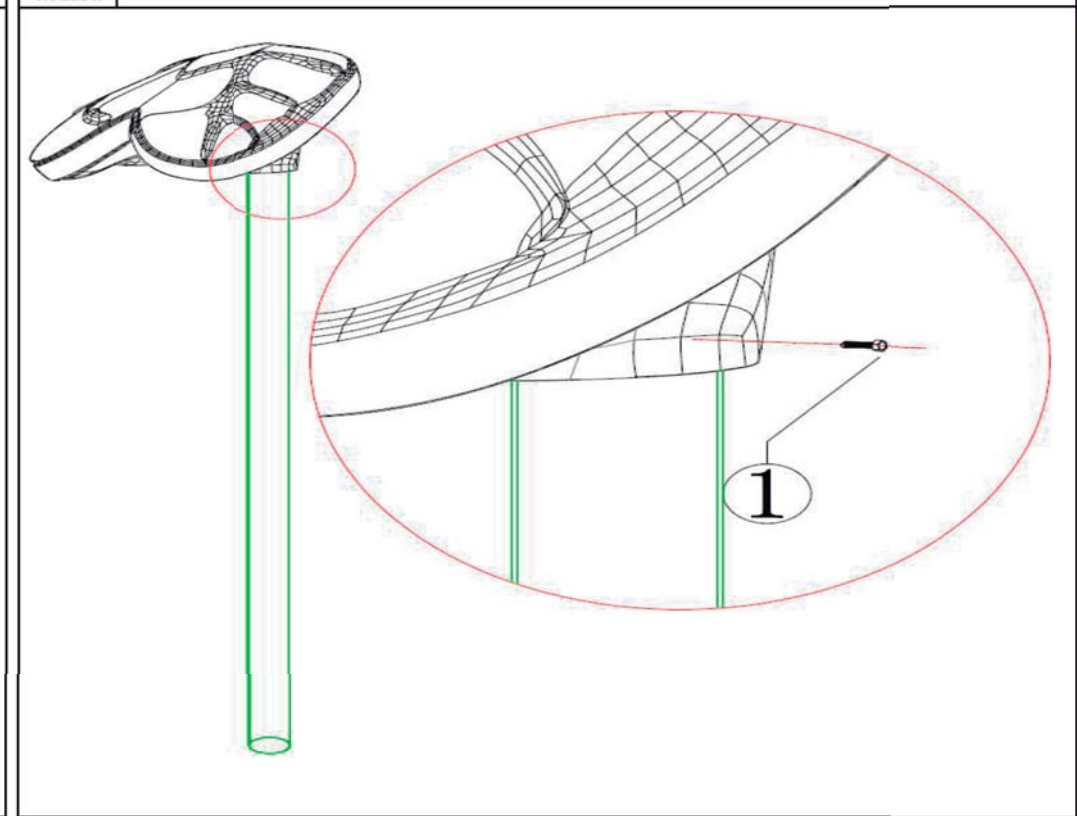
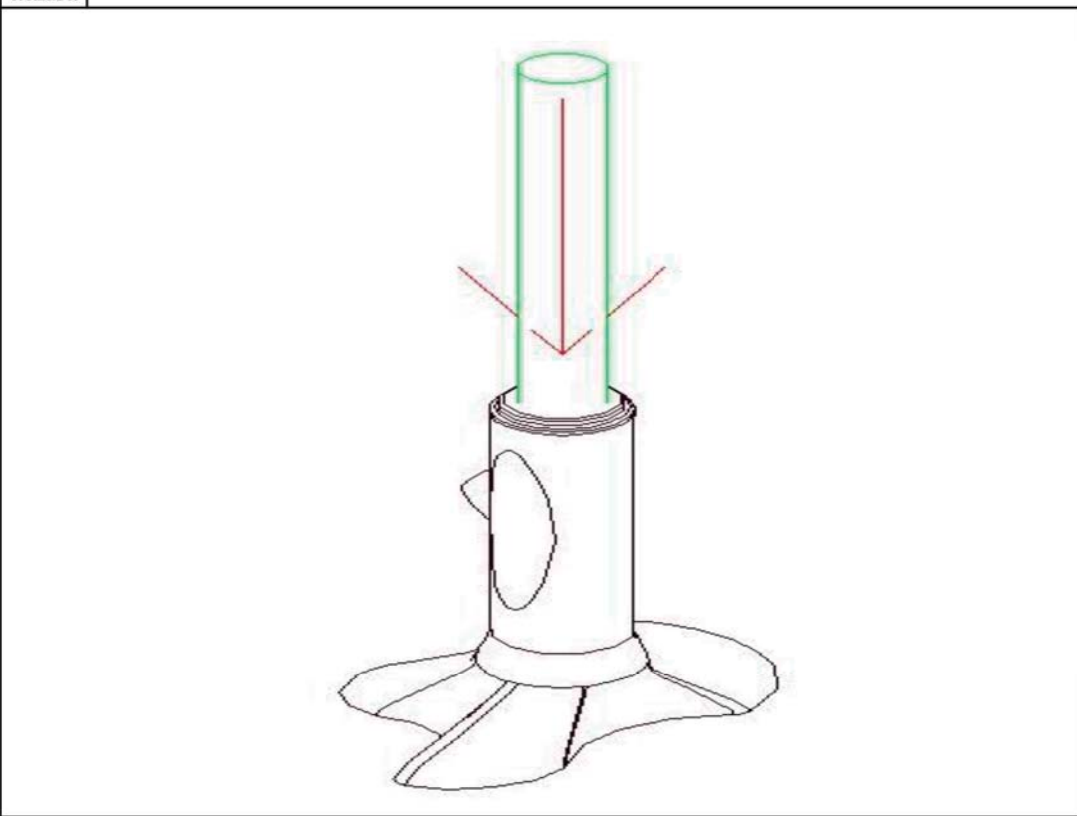
Module number Tree root				
No.	Name	Specification	Qty	Picture
1	Plum blossom cored bolt	M10*25	4	
2	Washer	M10	4	
3	Expansion screw	M10	4	
4				
5				
6				
7				
8				
9				
10				

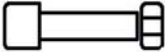
Remark



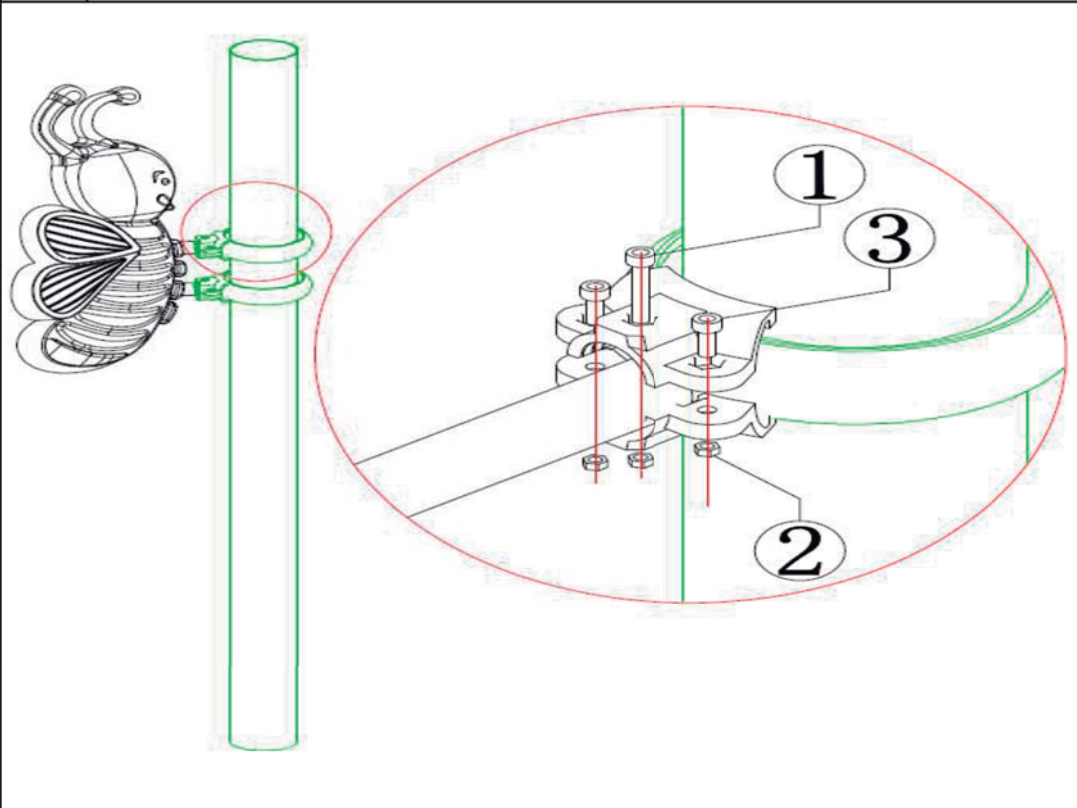
Module number Tree root				
No.	Name	Specification	Qty	Picture
1				
2				
3				
4				
5				
6				
7				
8				
9				
10				
Remark				

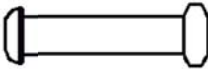
Module number Three leaf roof				
No.	Specification	Name	Qty	Picture
1	M5.5*55	self-tapping screw	1	
2				
3				
4				
5				
6				
7				
8				
9				
10				
Remark				



Module number New series bee				
No.	Specification	Name	Qty	Picture
1	Inner hexagonal bolt	M6*50	2	
2	nut	M6	6	
3	Inner hexagonal bolt	M6*16	4	
4				
5				
6				
7				
8				
9				
10				

Remark



Module number Trees stepped piles				
No.	Specification	Name	Qty	Picture
1	Expansion screw	M8	2	
2				
3				
4				
5				
6				
7				
8				
9				
10				

Remark

