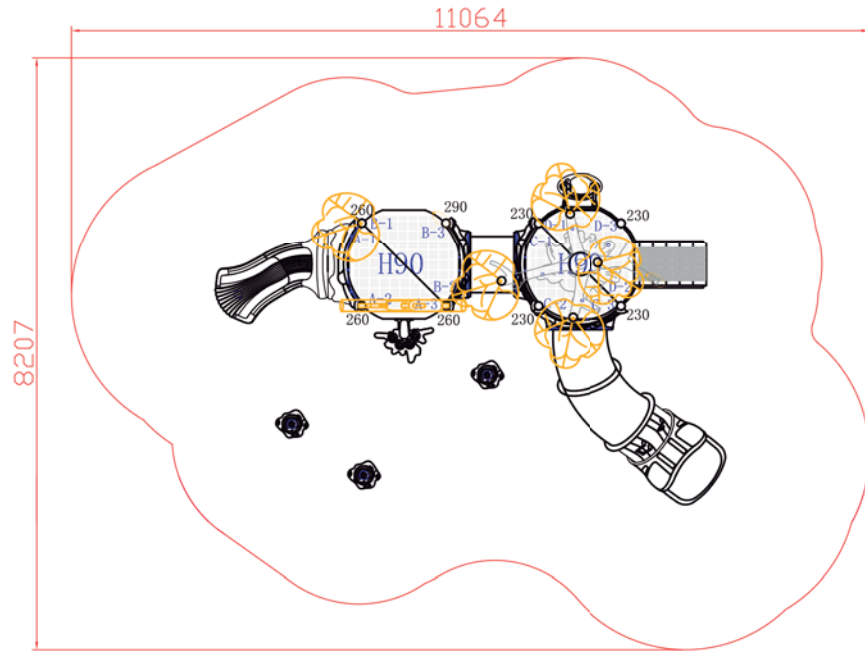




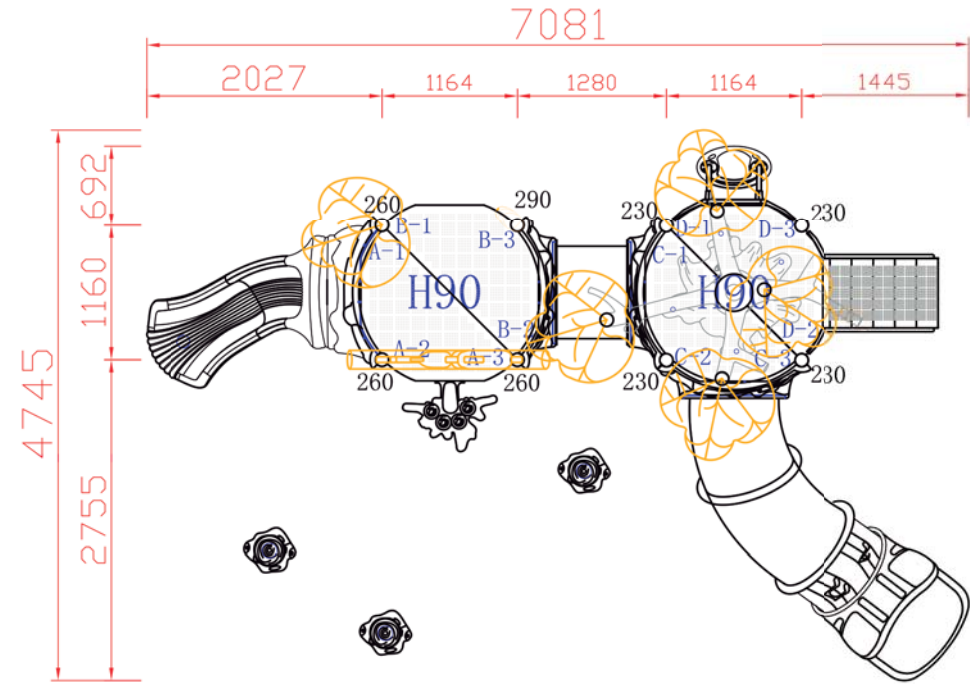
Última actualización 28/12/2017
Versión 1.0



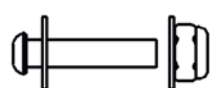
safety area :



detail size :

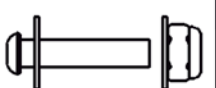


Module number
Circular platform (sheet metal, middle Burrows)

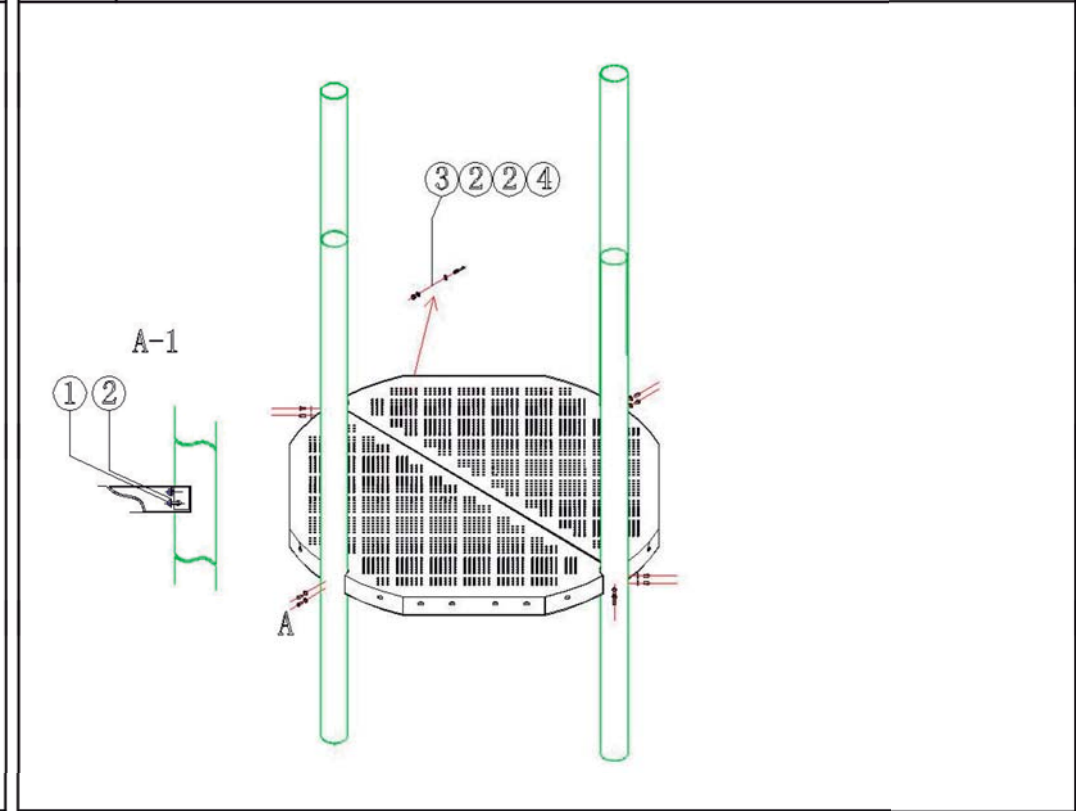
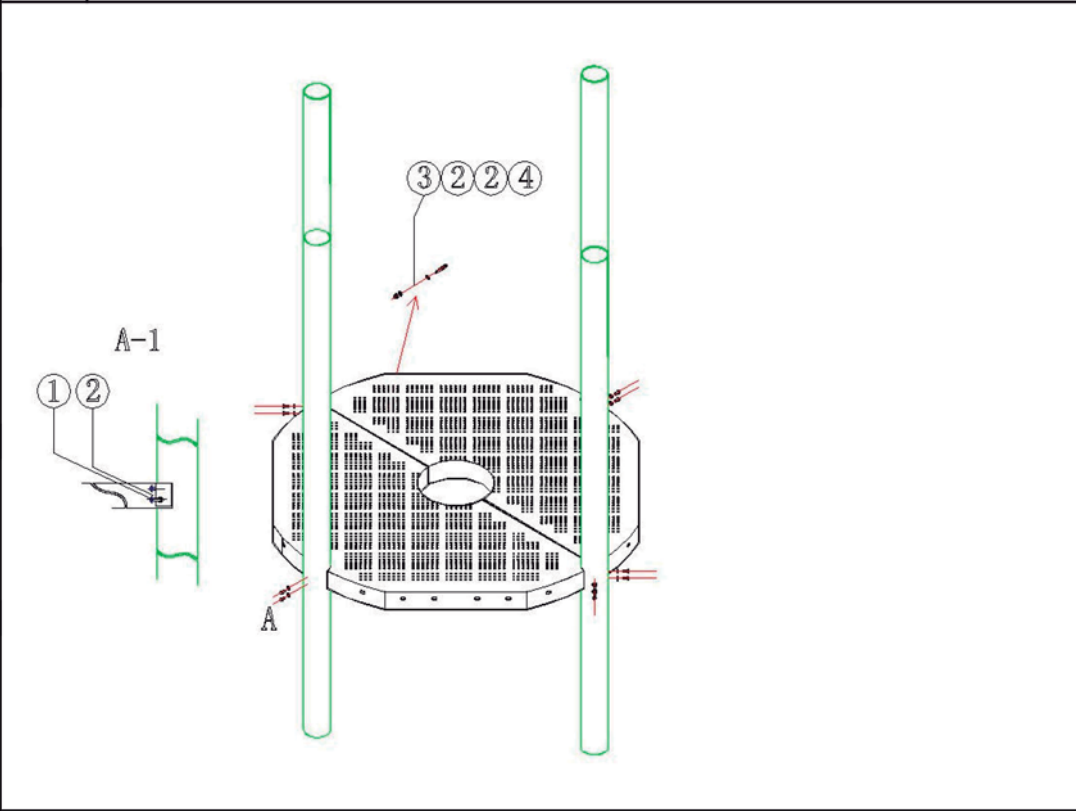
No.	Name	Specification	Qty	Picture
1	Plum blossom cored bolt	M10*30	12	
2	Washer	M10*2	18	
3	Plum blossom cored bolt	M10*25	6	
4	Fasteningnut	M10	6	
5				
6				
7				
8				
9				
10				

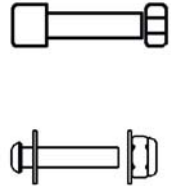
Remark

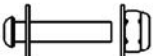
Module number
Circular platform (sheet metal)

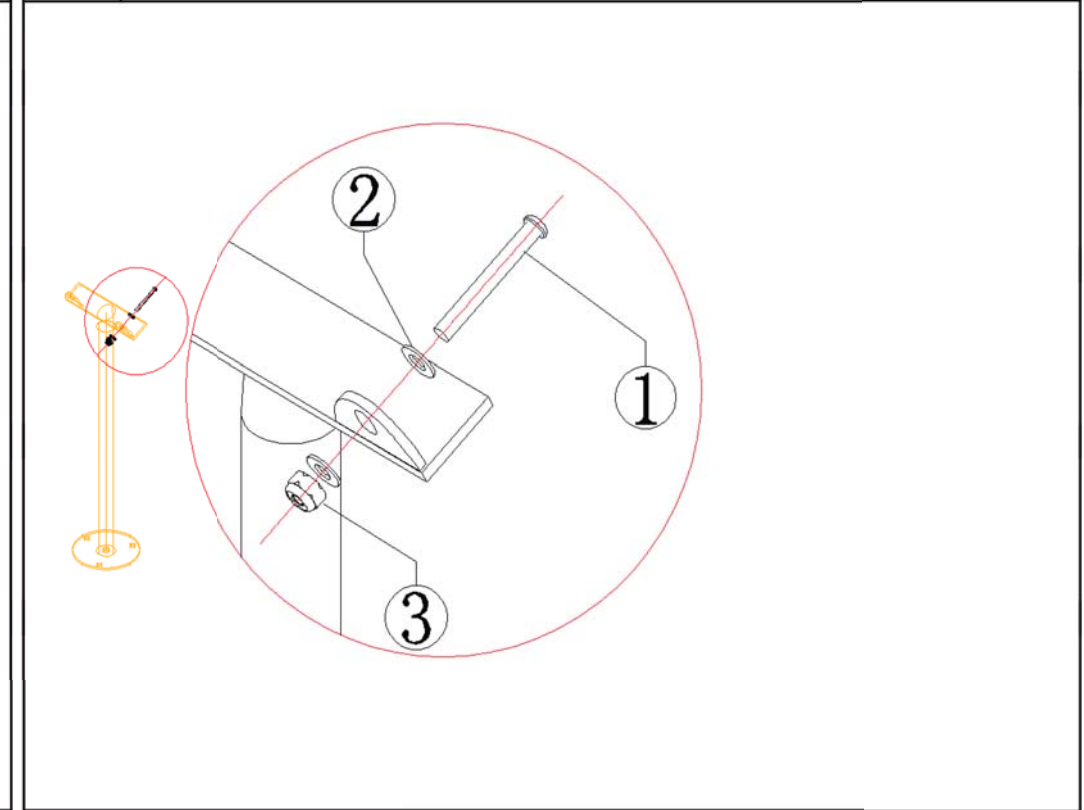
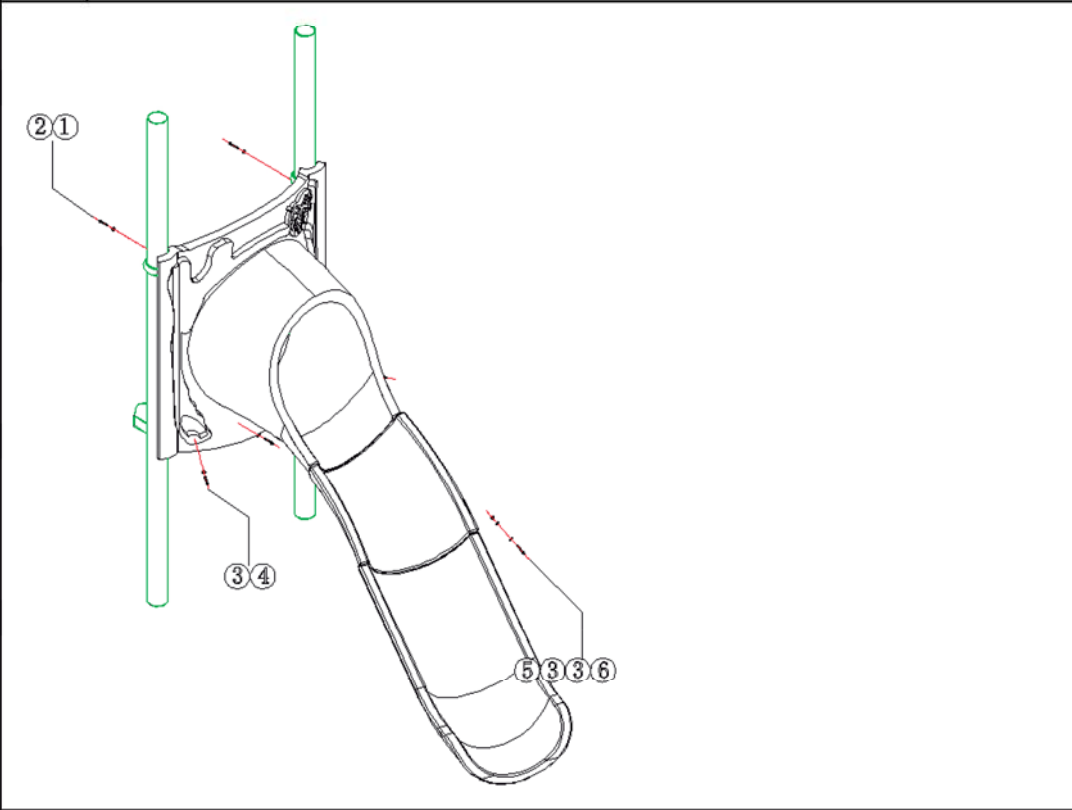
No.	Name	Specification	Qty	Picture
1	Plum blossom cored bolt	M10*30	12	
2	Washer	M10*2	20	
3	Plum blossom cored bolt	M10*25	7	
4	Fasteningnut	M10	7	
5				
6				
7				
8				
9				
10				

Remark



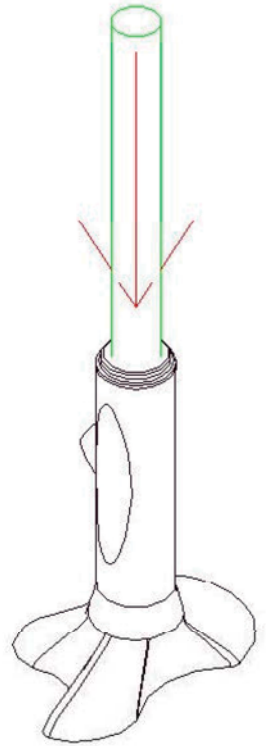
Module number spliced slides -3				
No.	Specification	Name	Qty	Picture
1	Inner hexagonal bolt	M8*20	2	
2	Washer	M8	2	
3	Washer	M10	40	
4	Plum blossom cored bolt	M10*20	4	
5	Plum blossom cored bolt	M10*60	12	
6	Fasteningnut	M10	12	
7				
8				
9				
10				
Remark				

Module number spliced slide support				
No.	Specification	Name	Qty	Picture
1	Inner hexagonal bolt	M10*70	2	
2	Washer	M10	4	
3	Fasteningnut	M10	2	
4				
5				
6				
7				
8				
9				
10				
Remark				



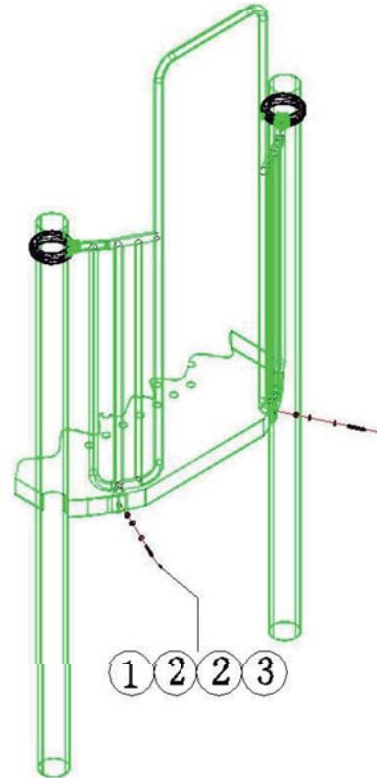
Module number Tree root				
No.	Name	Specification	Qty	Picture
1				
2				
3				
4				
5				
6				
7				
8				
9				
10				

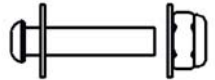
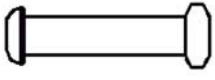
Remark

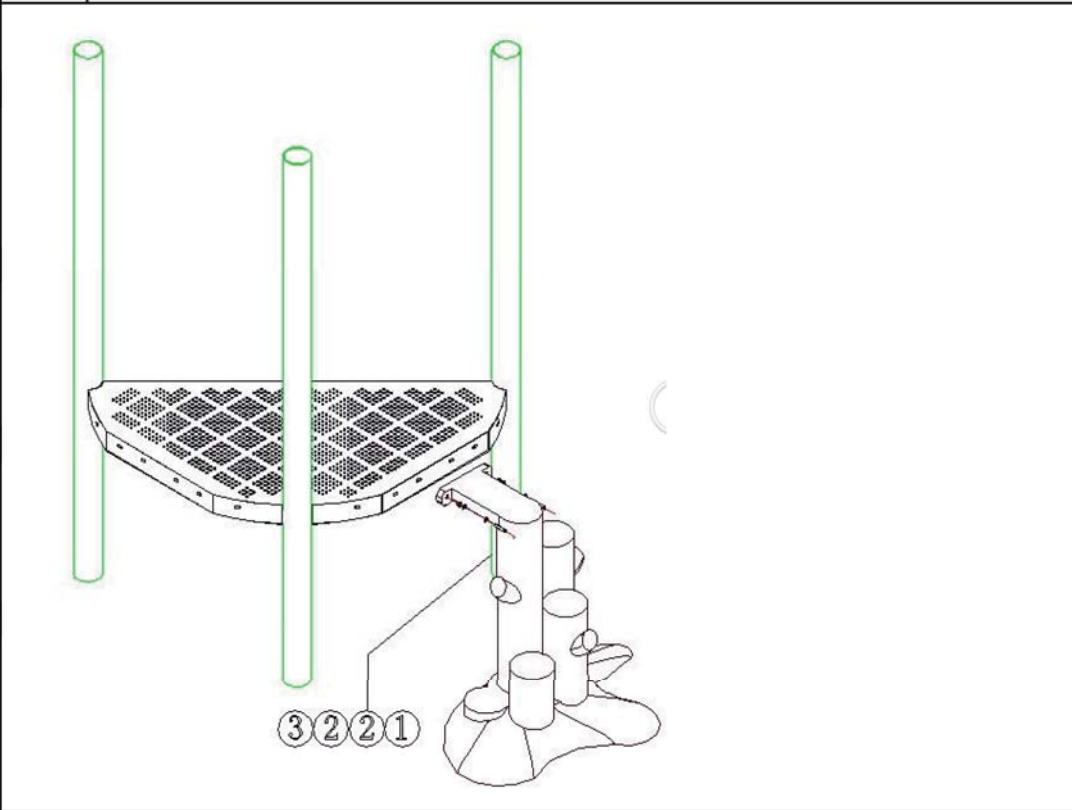


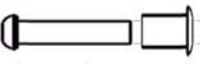
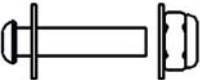
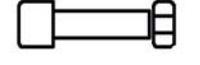
Module number Curved door ring				
No.	Name	Specification	Qty	Picture
1	Plum blossom cored bolt	M10*25	2	
2	Washer	M10	4	
3	Fasteningnut	M10	2	
4				
5				
6				
7				
8				
9				
10				

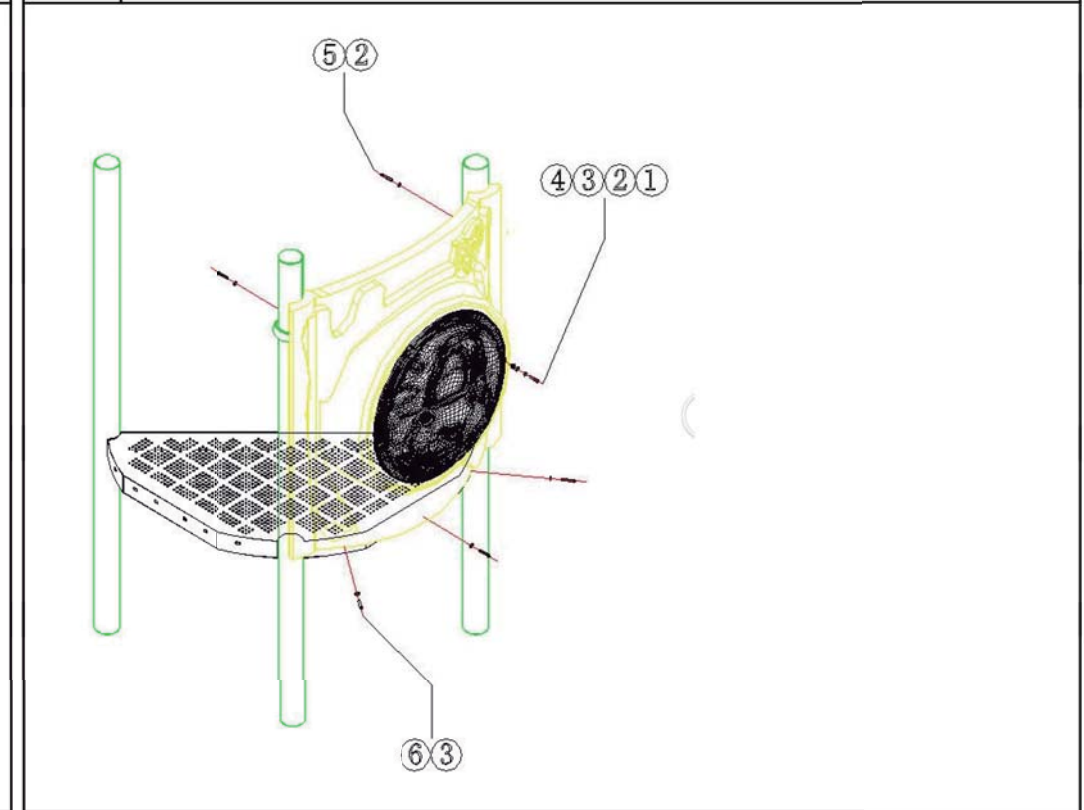
Remark

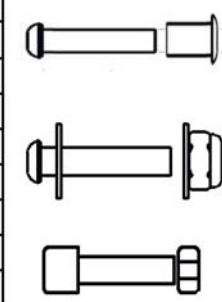


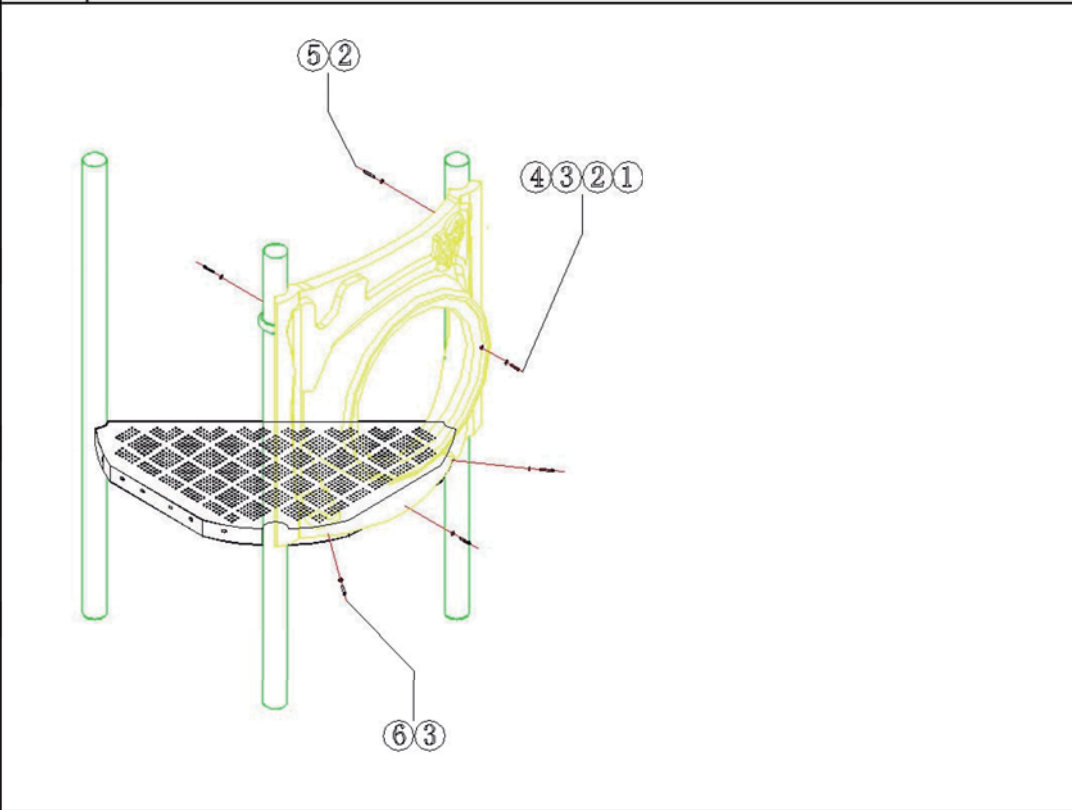
Module number Trees stairs				
No.	Name	Specification	Qty	Picture
1	Plum blossom cored bolt	M10*60	2	
2	Washer	M10	4	
3	Fasteningnut	M10	2	
4	Expansion screw	M10	3	
5				
6				
7				
8				
9				
10				
Remark				

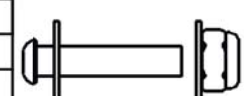


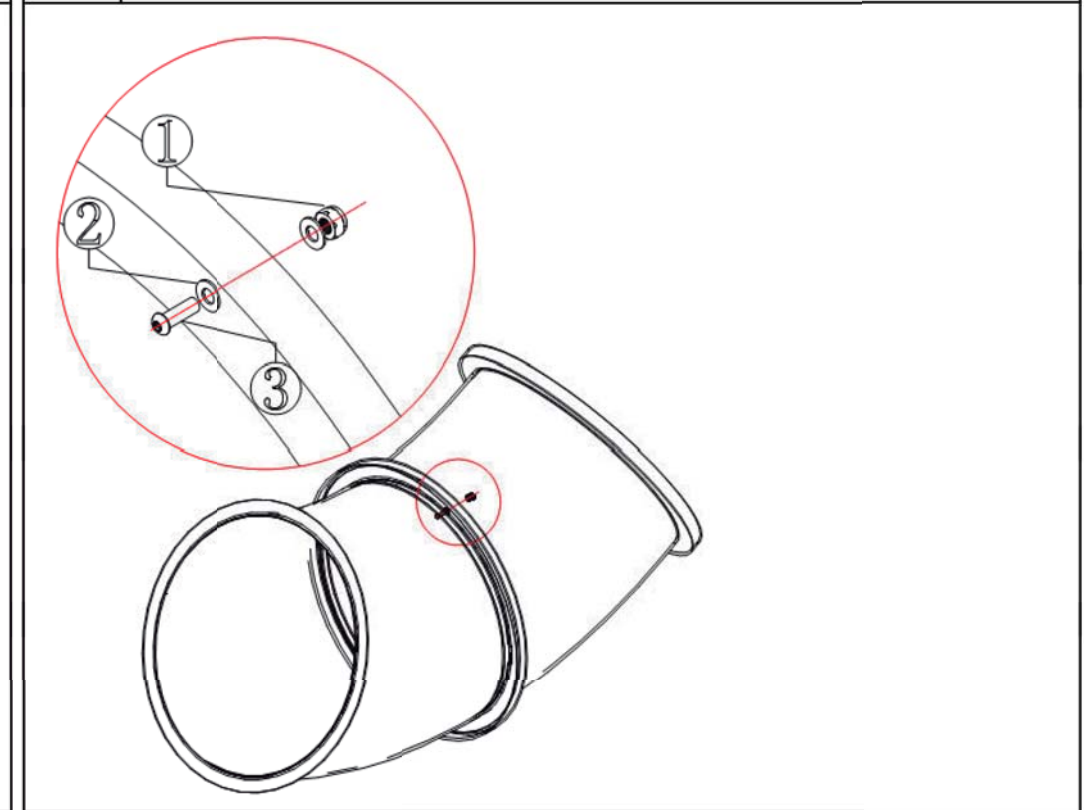
Module number Trees round door (with disc)				
No.	Name	Specification	Qty	Picture
1	Inner hexagonal bolt	M8*45	16	
2	Washer	M8	18	
3	Washer	M10	20	
4	Two head screw	M10*25	16	
5	Plum blossom cored bolt	M8*20	2	
6	Plum blossom cored bolt	M10*20	4	
7				
8				
9				
10				
Remark				

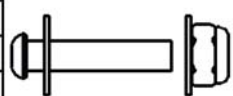


Module number Trees round the door (with barrel)				
No.	Name	Specification	Qty	Picture
1	Inner hexagonal bolt	M8*45	16	
2	Washer	M8	18	
3	Washer	M10	20	
4	Two head screw	M10*25	16	
5	Plum blossom cored bolt	M8*20	2	
6	Plum blossom cored bolt	M10*20	4	
7				
8				
9				
10				
Remark				

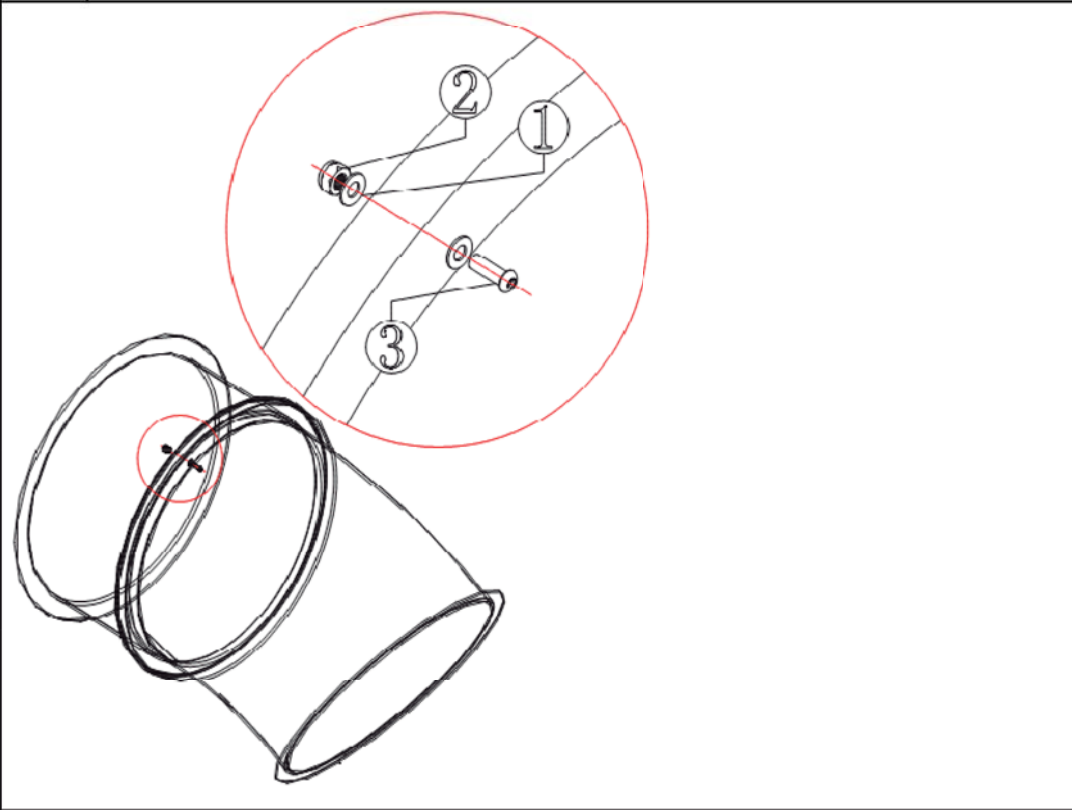


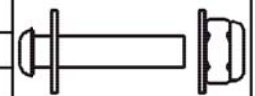
Module number 35 degrees two barrels				
No.	Specification	Name	Qty	Picture
1	M10	Fasteningnut	16	
2	M10*2	Washer	32	
3	M10*27	Plum blossom cored bolt	16	
4				
5				
6				
7				
8				
9				
10				
Remark				



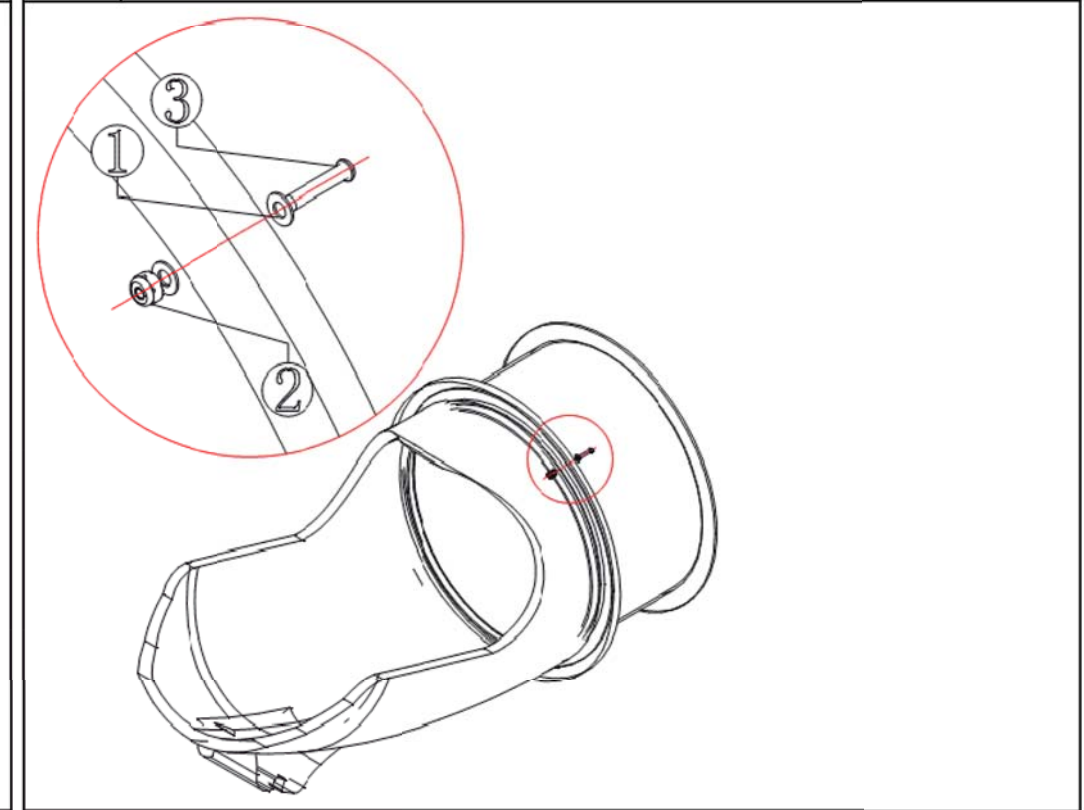
Module number 76#40 Straight barrel plus 35 degree elbow				
No.	Specification	Name	Qty	Picture
1	M10*2	Washer	32	
2	M10	Fasteningnut	16	
3	M10*27	Plum blossom cored bolt	16	
4				
5				
6				
7				
8				
9				
10				

Remark



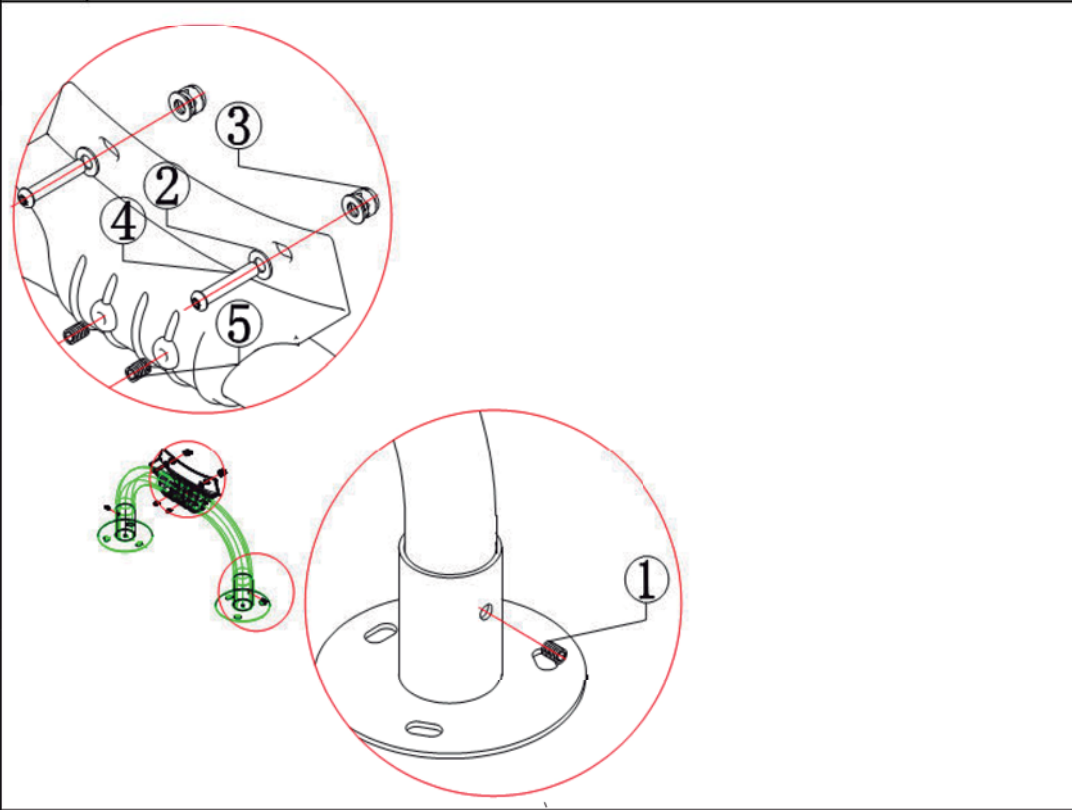
Module number 76#40 Straight barrel plus music-largest export				
No.	Specification	Name	Qty	Picture
1	M10*2	Washer	64	
2	M10	Fasteningnut	32	
3	M10*45	Plum blossom cored bolt	32	
4				
5				
6				
7				
8				
9				
10				

Remark



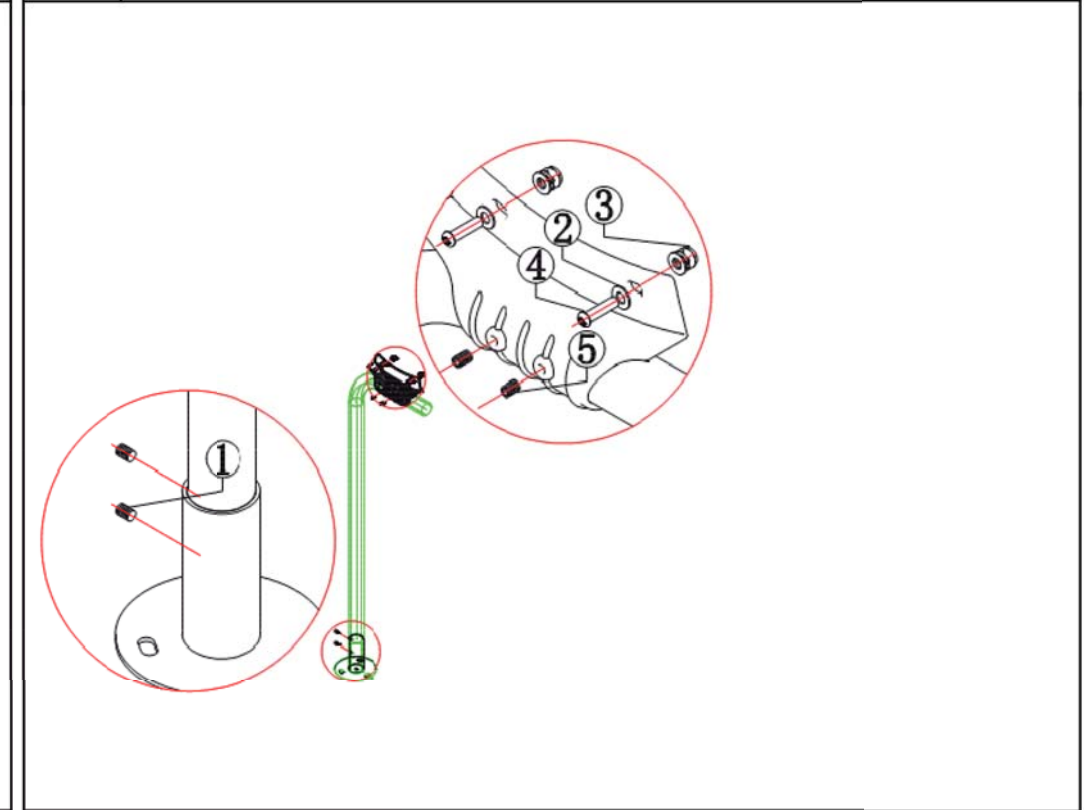
Module number Exit support				
No.	Specification	Name	Qty	Picture
1	M10*12	jackscrew	2	
2	M10*2	Washer	4	
3	M10	Fasteningnut	2	
4	M10*50	Plum blossom cored bolt	2	
5	M8*12	jackscrew	2	
6				
7				
8				
9				
10				

Remark



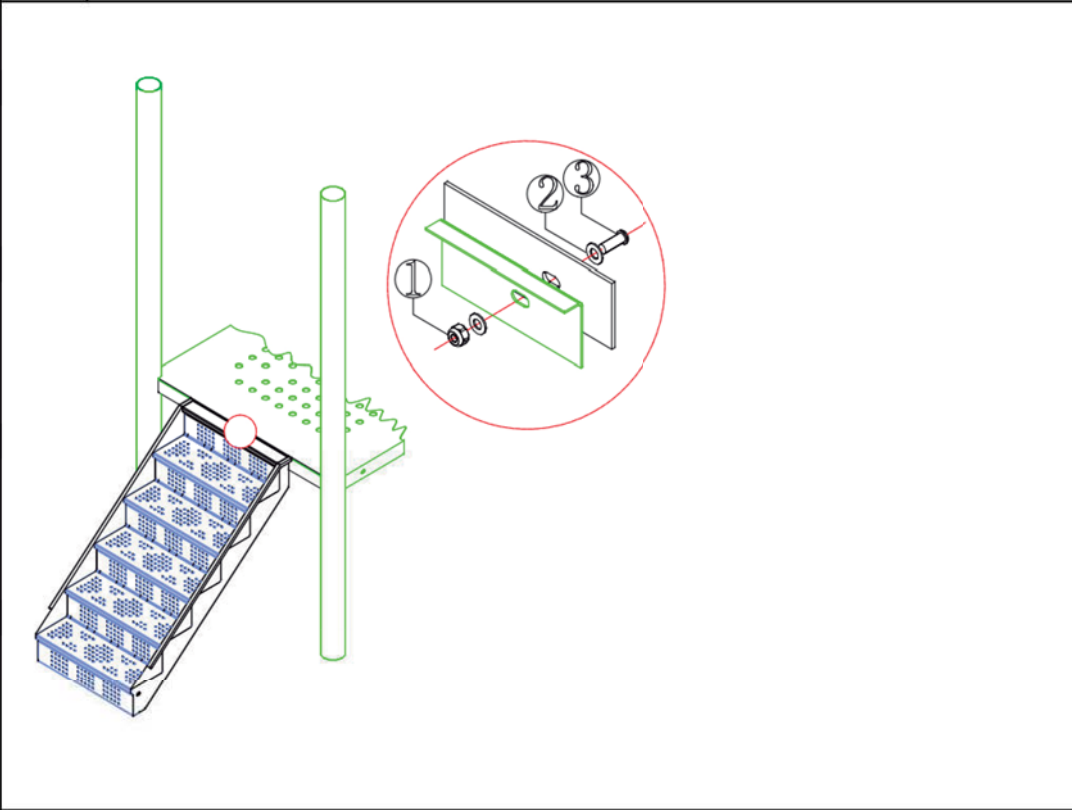
Module number Barrel support				
No.	Specification	Name	Qty	Picture
1	M10*12	jackscrew	2	
2	M10*2	Washer	4	
3	M10	Fasteningnut	2	
4	M10*35	Plum blossom cored bolt	2	
5	M8*12	jackscrew	2	
6				
7				
8				
9				
10				

Remark



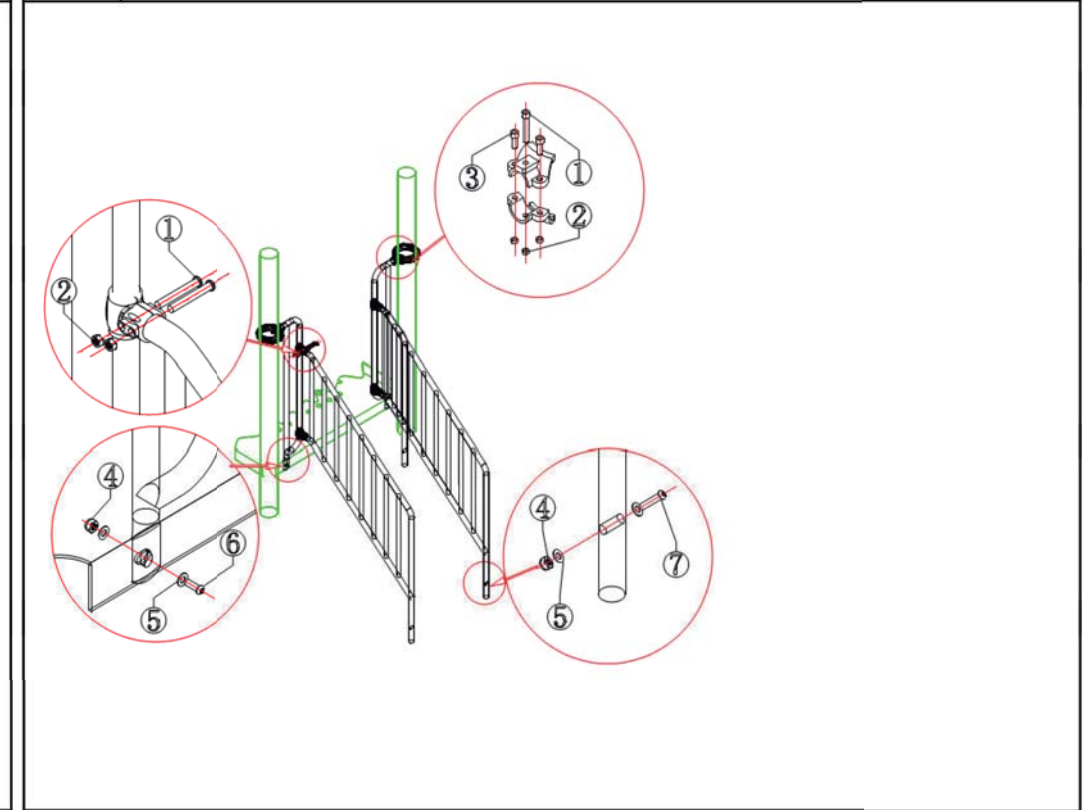
T-L006 (90 high) landed six step ladder				
No.	Name	Specification	Qty	Picture
1	Fastening nut	M10	3	
2	Washer	M10*2	6	
3	Plum blossom cored bolt	M10*25	3	
4				
5				
6				
7				
8				
9				
10				

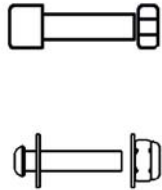
Remark



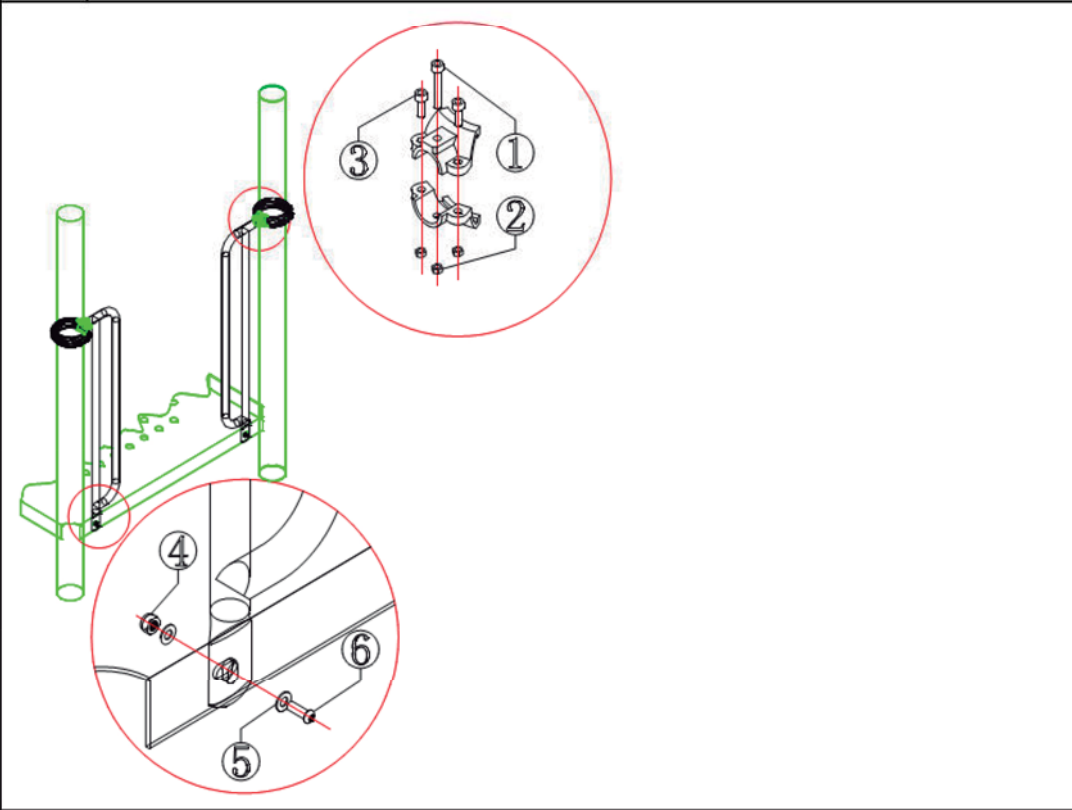
T-F011 (90 high) landed six step ladder armrest				
No.	Specification	Name	Qty	Picture
1	M6*50	Inner hexagonal bolt	10	
2	M6	nut	14	
3	M6*16	Inner hexagonal bolt	4	
4	M10	Fasteningnut	4	
5	M10*2	Washer	8	
6	M10*25	Plum blossom cored bolt	2	
7	M10*55	Plum blossom cored bolt	2	
8				
9				
10				

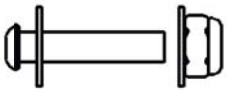
Remark



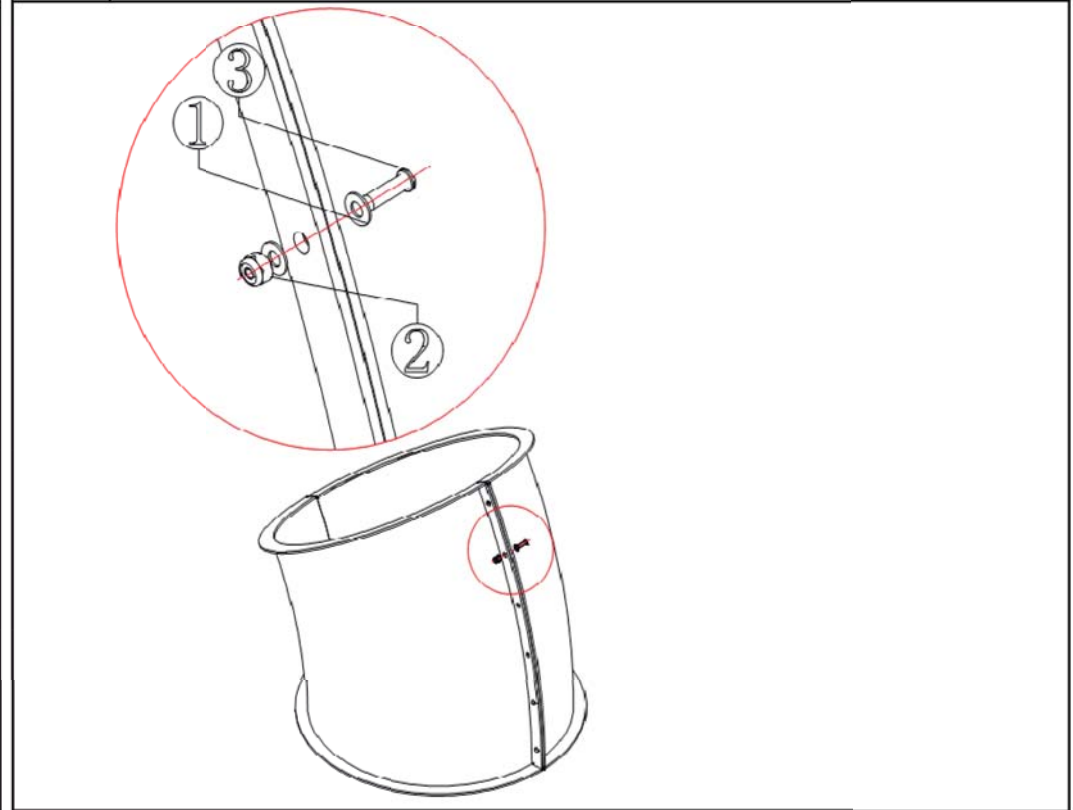
T-F034 armrest				
No.	Specification	Name	Qty	Picture
1	M6*50	Inner hexagonal bolt	2	
2	M6	nut	6	
3	M6*16	Inner hexagonal bolt	4	
4	M10	Fasteningnut	2	
5	M10*2	Washer	4	
6	M10*25	Plum blossom cored bolt	2	
7				
8				
9				
10				

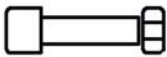
Remark



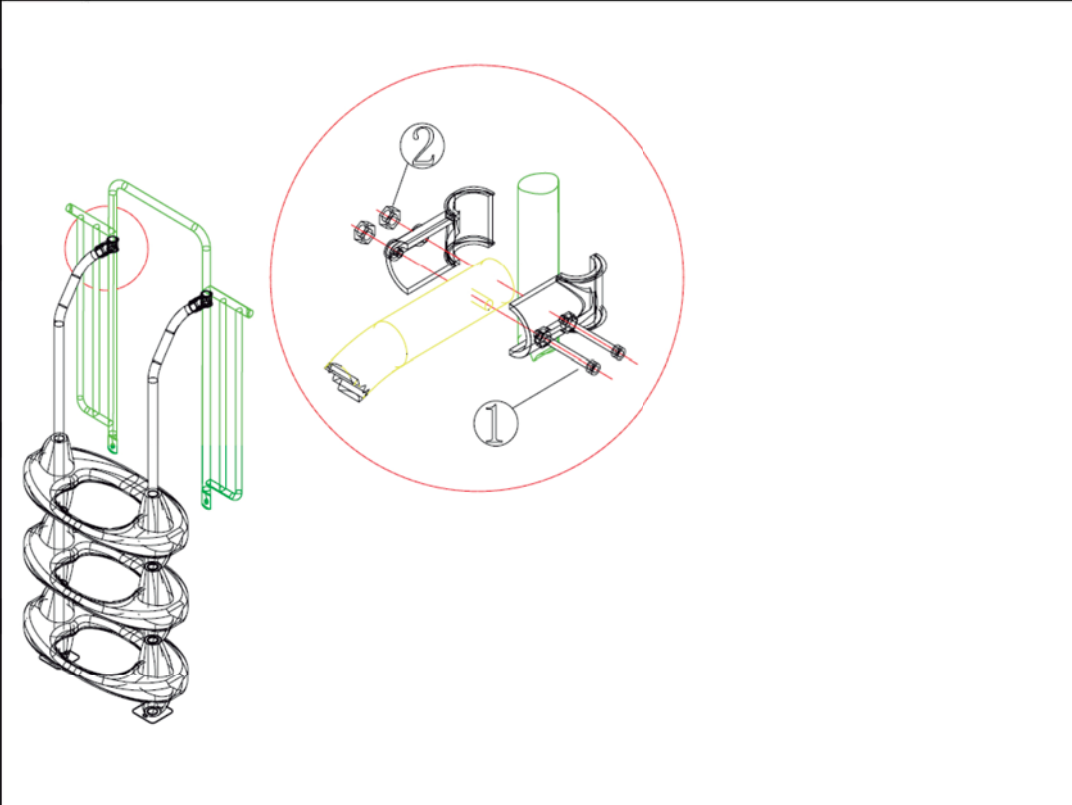
Module number 35 degrees transparent bucket (interface)				
No.	Specification	Name	Qty	Picture
1	M8*2	Washer	20	
2	M8*30	Inner hexagonal bolt	10	
3	M8	Fastening nut	10	
4				
5				
6				
7				
8				
9				
10				

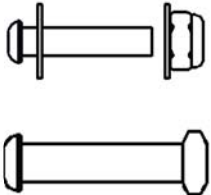
Remark



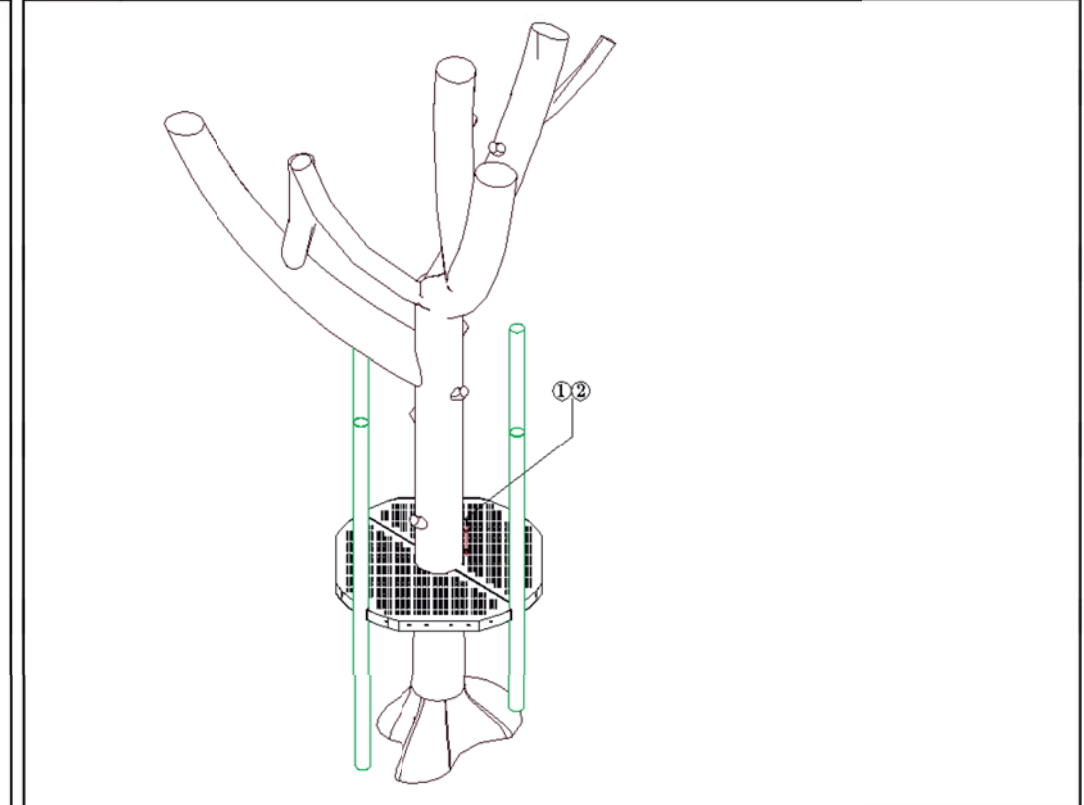
Module number Oval ladder				
No.	Specification	Name	Qty	Picture
1	M6*52	Inner hexagonal bolt	4	
2	M6	nut	4	
3				
4				
5				
6				
7				
8				
9				
10				

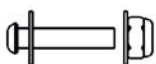
Remark

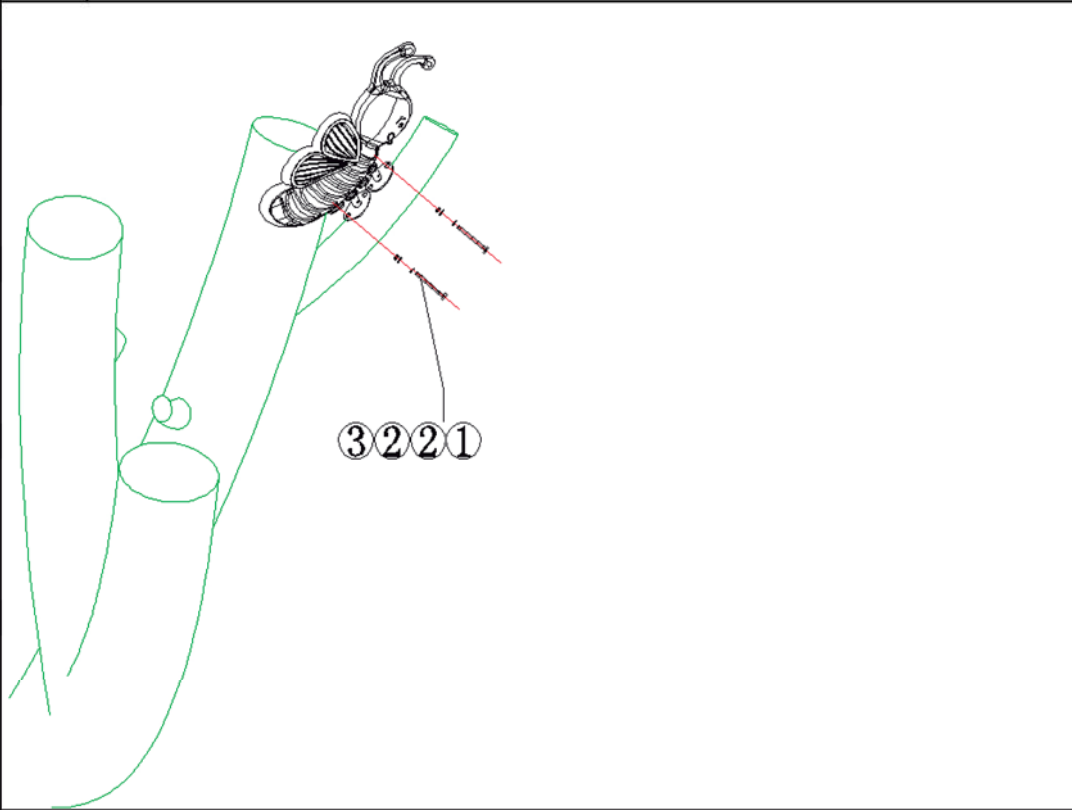


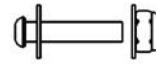
Module number Tree root				
No.	Name	Specification	Qty	Picture
1	Plum blossom cored bolt	M10*25	4	
2	Washer	M10	4	
3	Expansion screw	M10	4	
4				
5				
6				
7				
8				
9				
10				

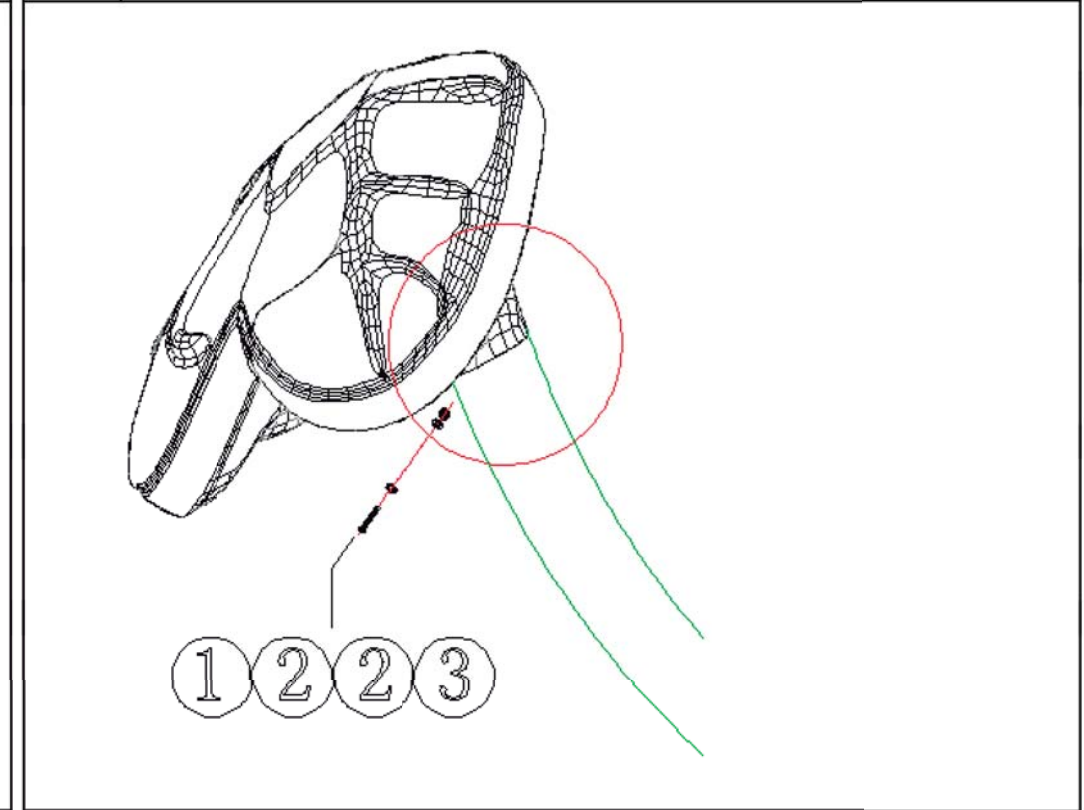
Remark




Module number New bee with the tree				
No.	Specification	Name	Qty	Picture
1	Inner hexagonal bolt	M10*110	2	
2	Washer	M10	4	
3	Fasteningnut	M10	2	
4				
5				
6				
7				
8				
9				
10				
Remark				

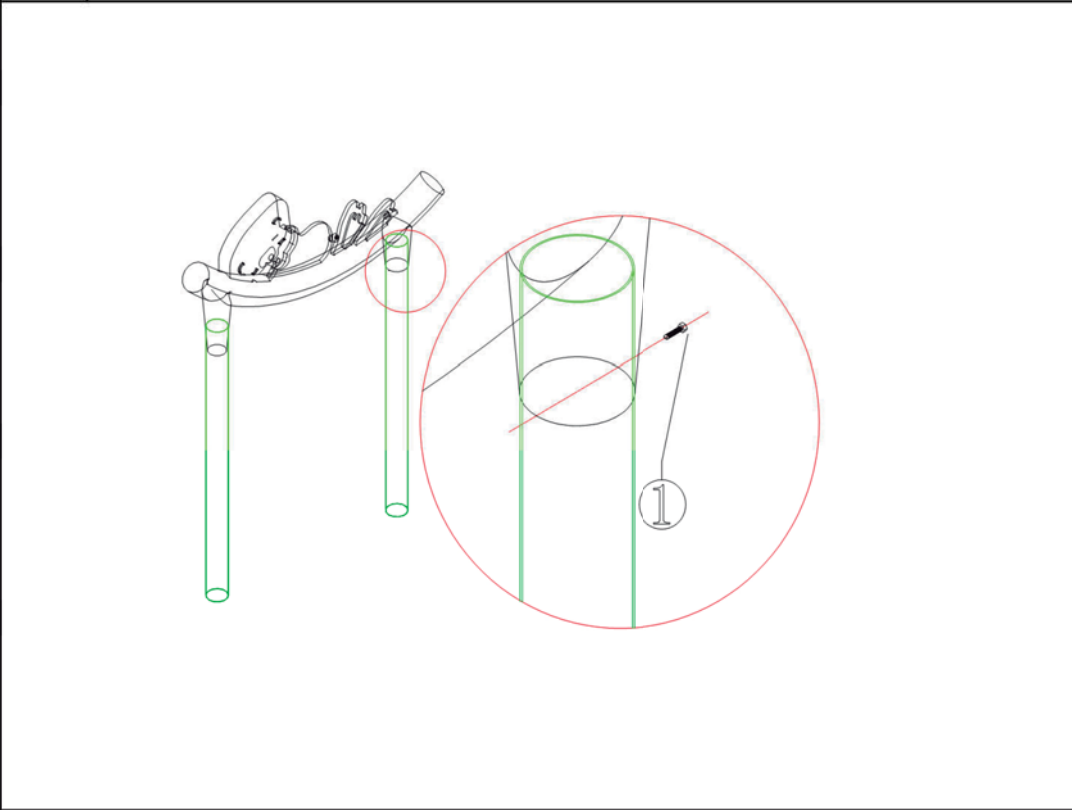


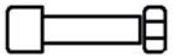
Module number Three leaf roof with tree				
No.	Specification	Name	Qty	Picture
1	outer Hexagonal bolt	M10*180	1	
2	Washer	M10	2	
3	Fasteningnut	M10	1	
4				
5				
6				
7				
8				
9				
10				
Remark				



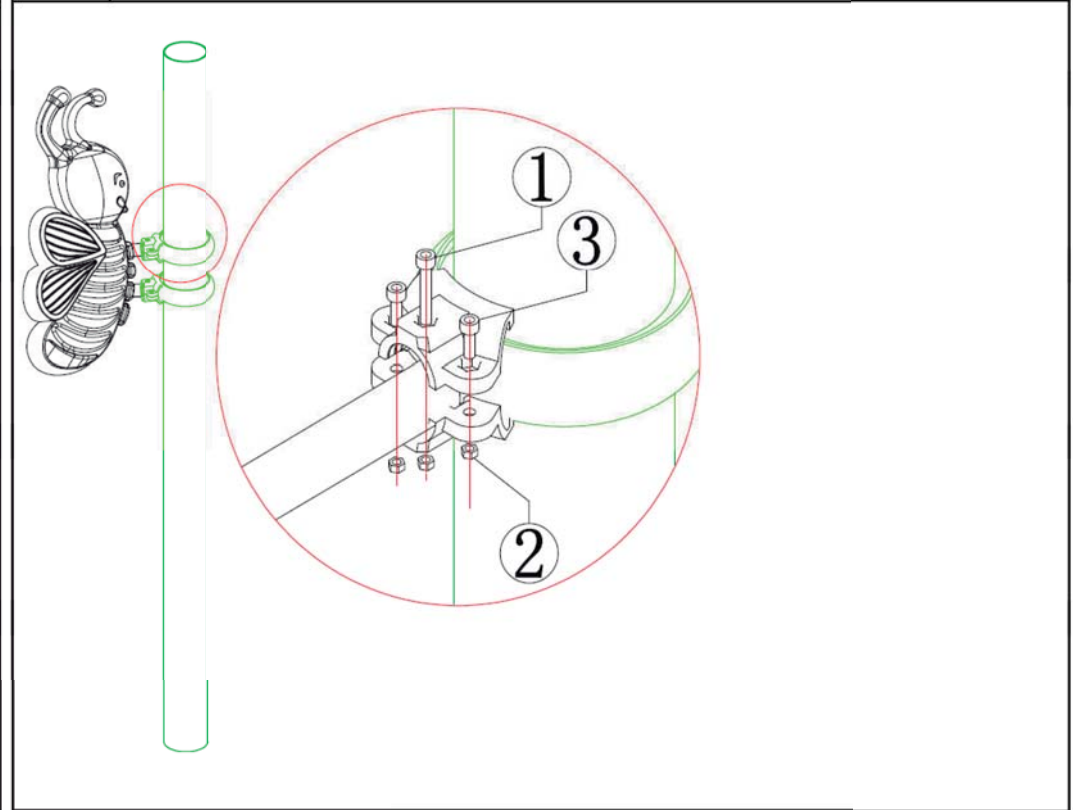
Module number Sleeping bear top				
No.	Name	Specification	Qty	Picture
1	self-tapping screw	M5. 5*75	6	
2				
3				
4				
5				
6				
7				
8				
9				
10				


Remark



Module number New series bee				
No.	Specification	Name	Qty	Picture
1	Inner hexagonal bolt	M6*50	2	
2	nut	M6	6	
3	Inner hexagonal bolt	M6*16	4	
4				
5				
6				
7				
8				
9				
10				

Remark



Module number Three leaf roof				
No.	Specification	Name	Qty	Picture
1	M5. 5*55	self-tapping screw	1	
2				
3				
4				
5				
6				
7				
8				
9				
10				
Remark				

