

**KIDS CENTER 5  
#KID-05**

**USER GROUP:** 2-5 years

**TOOLS REQUIRED:**

T-30 TORX Tool - Supplied by manufacturer

T- Tool - Supplied by manufacturer

Open End Wrench - 14mm/17mm - Supplied by manufacturer

T-40 Hand Key - Supplied by manufacturer

Allen Tool (#1 and #2) - Supplied by manufacturer

T-45 Hand Key - Supplied by manufacturer

14 mm socket

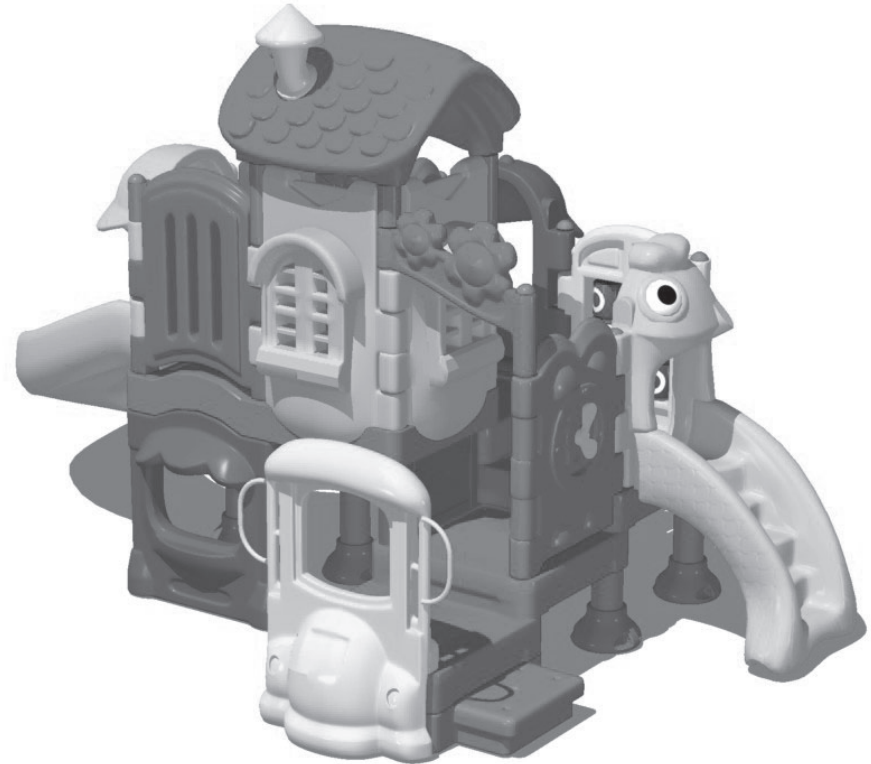
Level

Drill with 1/2" masonry bit (for wedge anchors) if applicable

**INSTALLATION TIME:** Approximately 8 hours

**WEIGHT:** 1580 lbs. (4 cartons and 2 packs - on 1 skid)

**KIDS CENTER 5  
#KID-05**



**PRE-INSTALLATION CHECK:**

Compare all items received to the Bill of Materials / Packing List. Notify your local sales representative immediately if any parts are missing or damaged.

**Inventory must be taken PER CARTON!**

**We are not responsible for items discovered missing after 72 hours from time of delivery!**

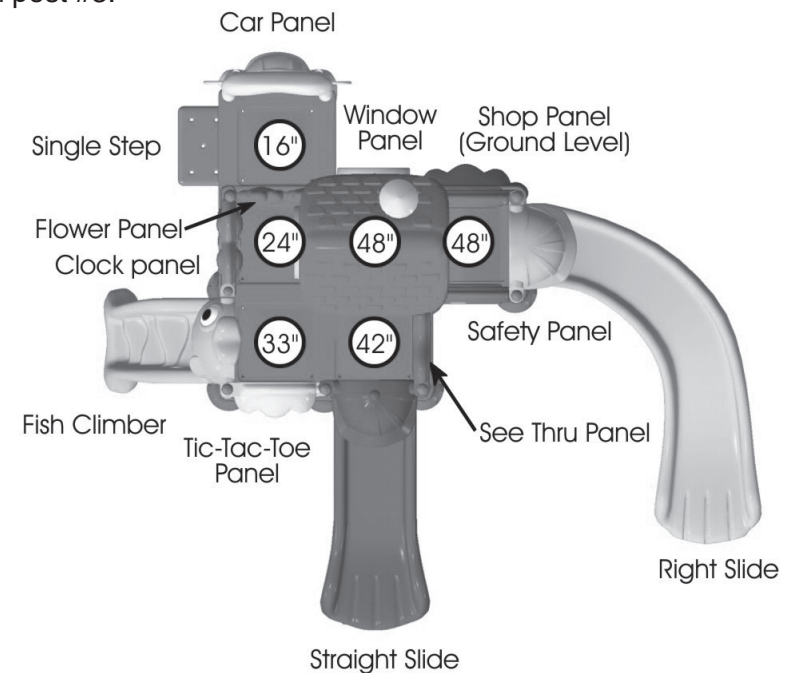
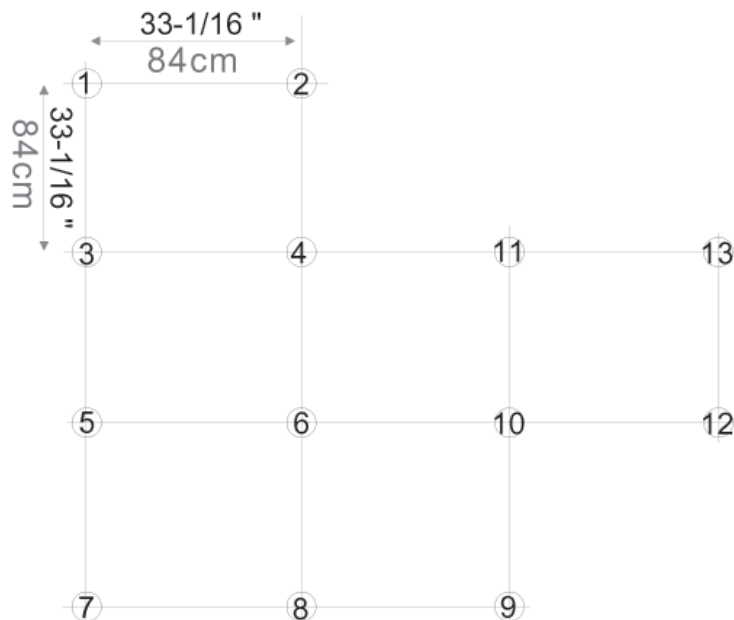
## INSTALLATION GUIDELINES

The Kids Center is a modular play system that uses a grid system for the playground layout. It is very important to spend a few minutes before beginning the installation to ensure that items are inventoried and organized properly. **INVENTORY MUST BE TAKEN PER CARTON!** The site must be level for proper installation.

Each post will have a number sticker on it corresponding with that area of the grid. Some grid numbers have an upper level post as well as a lower level post. The lower level posts have “flanges” and the upper level posts do not. The upper level posts will have a number that matches a lower level post. The upper level posts screw into the lower level posts using the provided “T” tool. On this structure, there is a post #6 and a post #9. Care must be taken when identifying these pieces to avoid a mix-up. In this structure, the #6 post is longer than the #9 post. Also, please note that post and spacer lengths along with the location in the grid are also listed on page 3 of this manual to use as a reference in case any labels have been removed.

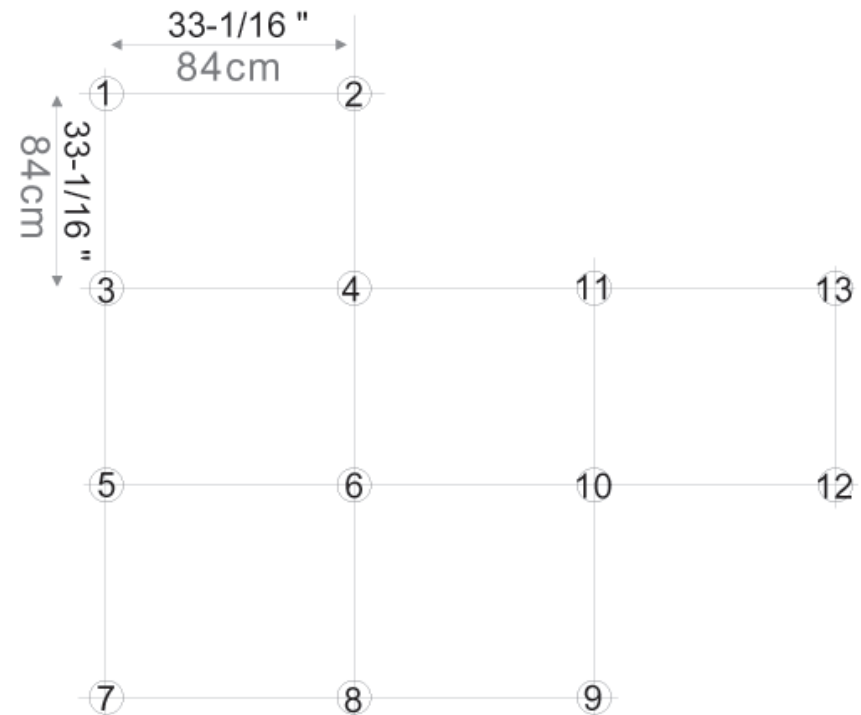
The plastic pieces will all have numbers on them that correspond with the grid and post numbers. This will enable you to verify that the correct piece is being installed in the correct location. When installing the plastic, simply match up the numbered holes on the plastic with the corresponding vertical posts.

Determine the placement of the structure and note where the start point is on the layout. The single entry step on the playground (which will be the first piece of plastic that is installed is installed between post #1 and post #3.



**POST / SPACER LIST AND GRID LAYOUT**

| GRID # | LOWER POST       | UPPER POST        | SUPPORT SPACER     |
|--------|------------------|-------------------|--------------------|
| 1      | 18-1/8" (46 cm)  | N/A               | N/A                |
| 2      | 18-1/8" (46 cm)  | N/A               | N/A                |
| 3      | 73-5/8" (187 cm) | N/A               | N/A                |
| 4      | 47-1/4" (120 cm) | 57-1/16" (145 cm) | 7-1/2" (19 cm)     |
| 5      | 31-1/2" (80 cm)  | 27-3/16" (69 cm)  | 17" (43.18cm)      |
| 6      | 47-1/4" (120 cm) | 57-1/16" (145 cm) | 17" (43.18cm)      |
| 7      | 31-1/2" (80 cm)  | 35-1/16" (89 cm)  | 24-3/8" (61.91 cm) |
| 8      | 39-3/8" (100 cm) | 27-3/16" (69 cm)  | 24-3/8" (61.91 cm) |
| 9      | 39-3/8" (100 cm) | 34-5/8" (88 cm)   | 32" (81.28 cm)     |
| 10     | 47-1/4" (120 cm) | 57-1/16" (145 cm) | 32" (81.28 cm)     |
| 11     | 47-1/4" (120 cm) | 57-1/16" (145 cm) | 32" (81.28 cm)     |
| 12     | 47-1/4" (120 cm) | 27-3/16" (69 cm)  | 39-1/4" (99.7cm)   |
| 13     | 47-1/4" (120 cm) | 27-3/16" (69 cm)  | 39-1/4" (99.7 cm)  |

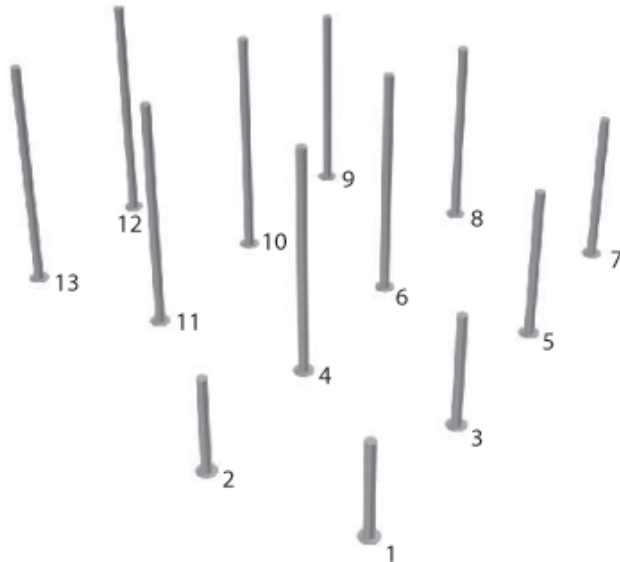


## **STEP 1**

Determine placement and orientation of Kids Center. Conduct a thorough inventory (per carton) and organize parts. Verify that site is level.

## **STEP 2**

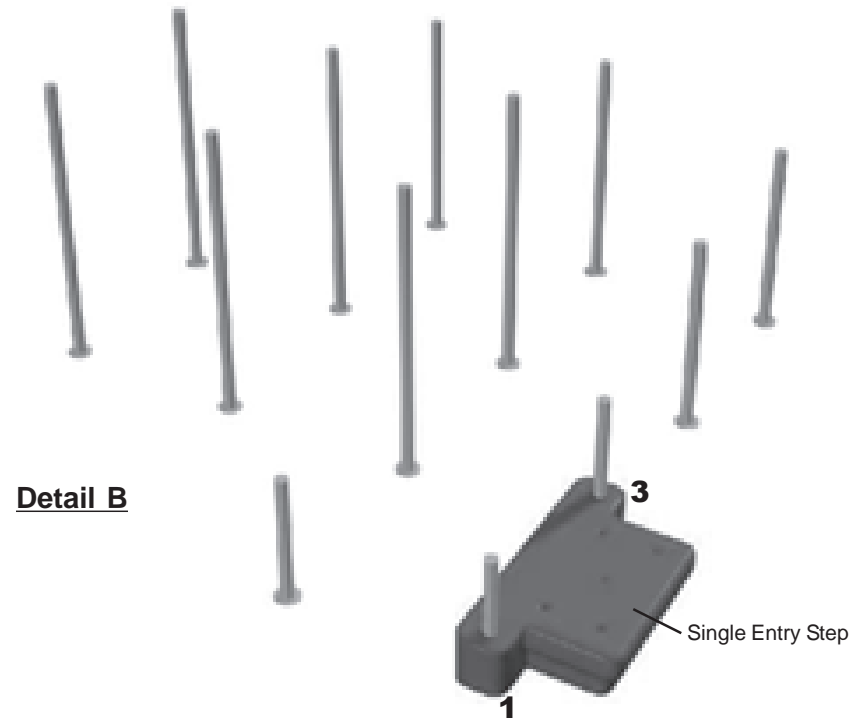
Select lower posts and 8 wedge anchors. Arrange posts according to grid below (Detail A). Posts will be 33-1/16" (84 cm) on center. Each post is labeled with its location in the grid. Care must be taken with identifying the #6 and the #9 post to avoid a mix-up. The #6 post is longer than the #9 post. Also, please note that post lengths along with the location in the grid are also listed on page 3 of this manual to use as a reference in case any labels have been removed. If you choose to anchor the structure, post #'s 1, 2, 3 and 4 should be anchored at this time. Use the 5/16"x2" wedge anchors provided if installing on concrete slab. If installed where wedge anchors will not work, a different anchoring method would need to be used. Other types of anchors are not provided. **NOTE:** Make sure posts are spaced properly and that grid is square before anchoring posts. Also please note that **ONLY** post #'s 1, 2, 3 and 4 should be anchored at this time. The remaining posts will be anchored later.



**Detail A**

## **STEP 3**

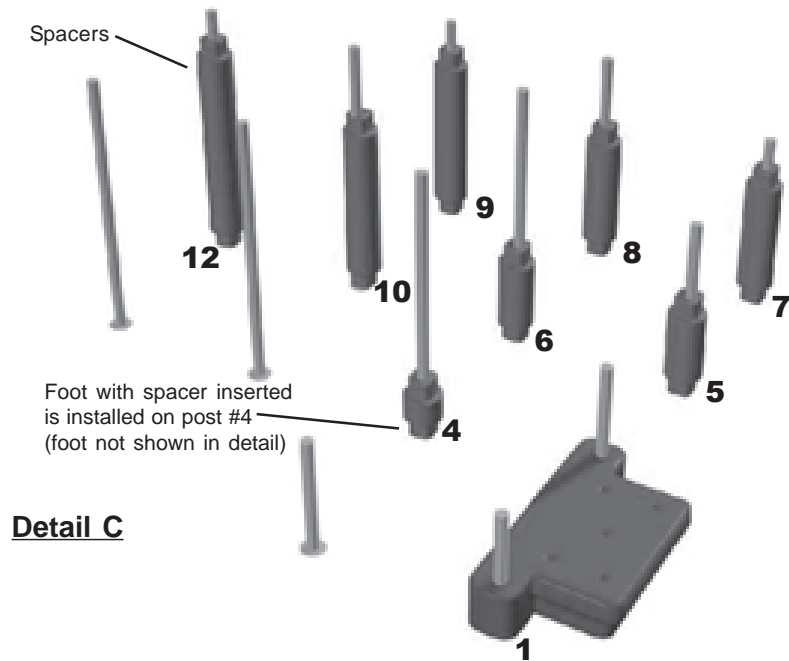
Select green single entry step. Place step over posts 1 and 3 as shown below in Detail B. Holes in step will be marked with a #1 and #3 to indicate placement.



**Detail B**

## STEP 4

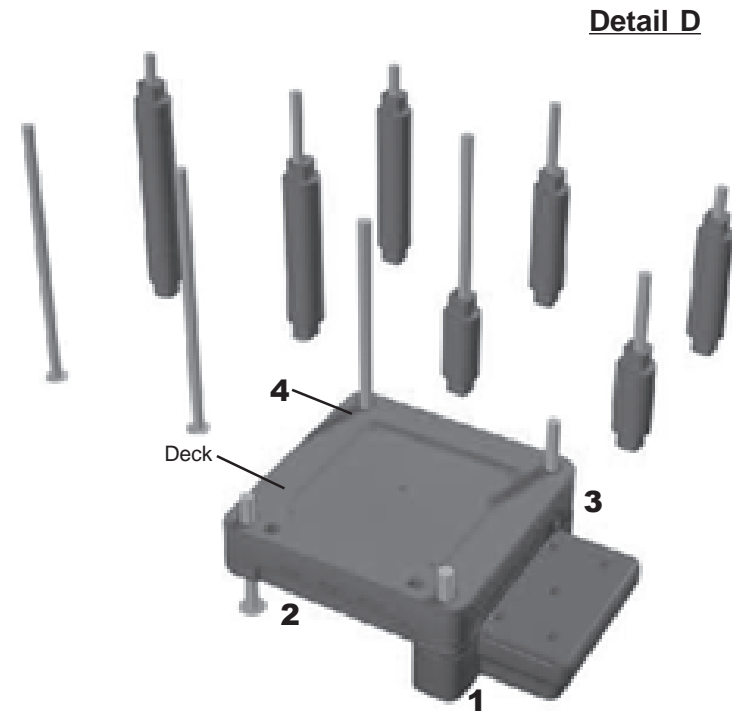
Select green spacers and blue feet. **NOTE:** Seven blue feet will be identical to each other and one blue foot will have a spacer inserted already. The foot with the spacer inserted will be placed over post #4. The remaining feet are for post #'s 5, 6, 7, 8, 9, 10 and 12. At this time, place 1/2 of each foot in the correct location against posts. **NOTE:** The T-40 tool is used for the bolt and a 14mm socket is needed to turn nut in foot. Place spacers over vertical posts as shown in Detail C. The feet will be used as temporary shims to maintain proper elevation of spacers. Each spacer will have a number on it to indicate where it should be placed. **NOTE:** There is a spacer for post number 6 and one for post number 9. Please note that the shorter spacer is for post #6 and the longer spacer is for post #9. Also, please note that spacer lengths along with the location in the grid are also listed on page 3 of this manual to use as a reference in case any labels have been removed.



**Detail C**

## STEP 5

Select red deck with "1, 2, 3 and 4" marked on corners. Place deck over vertical posts and spacers with numbers on deck matching post and spacer numbers as shown in Detail D.



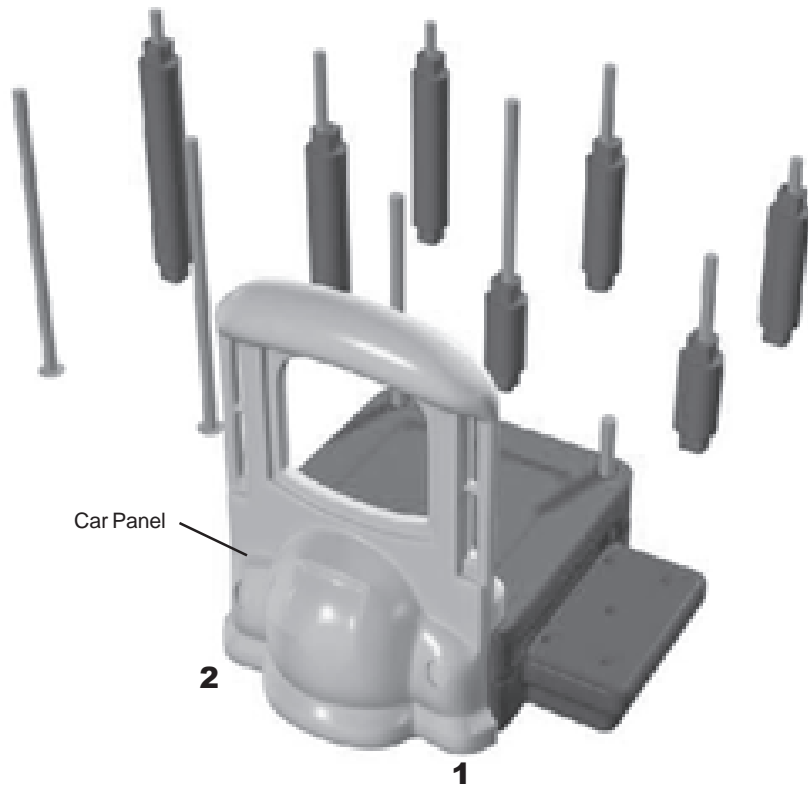
**Detail D**

## INSTALLATION GUIDELINES

### **STEP 6**

Select yellow car panel with “1 and 2” marked on corners, two grab handles, four 3/8”x3/4” TORX head bolts and four 3/8”x7/8” flat washers. Place panel over vertical posts with numbers on panel matching post numbers as shown in Detail E. Attach grab handles to inserts on back side of car panel by inserting bolt through washer and into panel inserts. Gently tighten until all hardware is installed. Then tighten all.

**Detail E**



### **STEP 7**

Select red deck with “3, 4, 5 and 6” marked on corners. Place deck over vertical posts with numbers on deck matching post numbers as shown in Detail F.

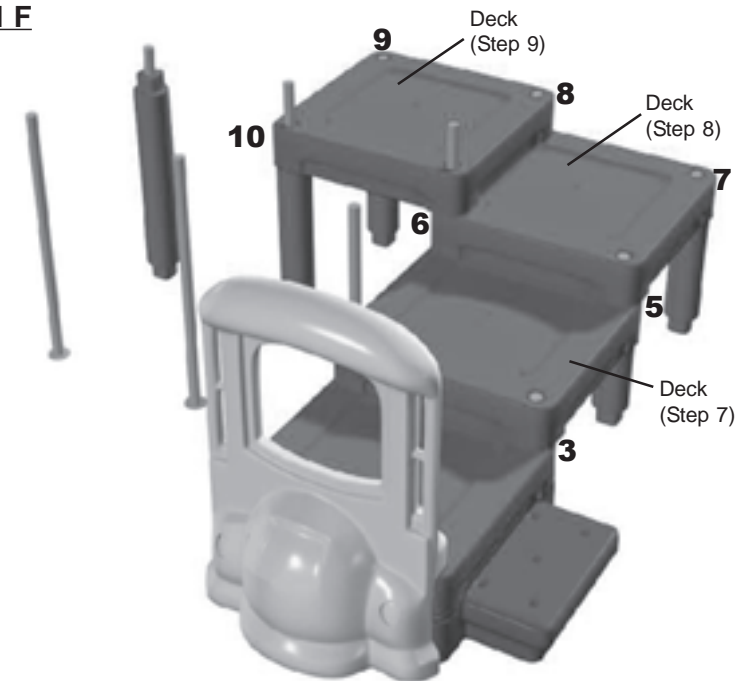
### **STEP 8**

Select red deck with “5, 6, 7 and 8” marked on corners. Place deck over vertical posts with numbers on deck matching post numbers as shown in Detail F. **NOTE:** This deck will have hardware attached to the “5-7” side for attaching another component in a later step.

### **STEP 9**

Select red deck with “6, 8, 9 and 10” marked on corners. Place deck over vertical posts with numbers on deck matching post numbers as shown in Detail F. **NOTE:** This deck will have hardware attached to the “8-9” side for attaching another component in a later step.

**Detail F**



## INSTALLATION GUIDELINES

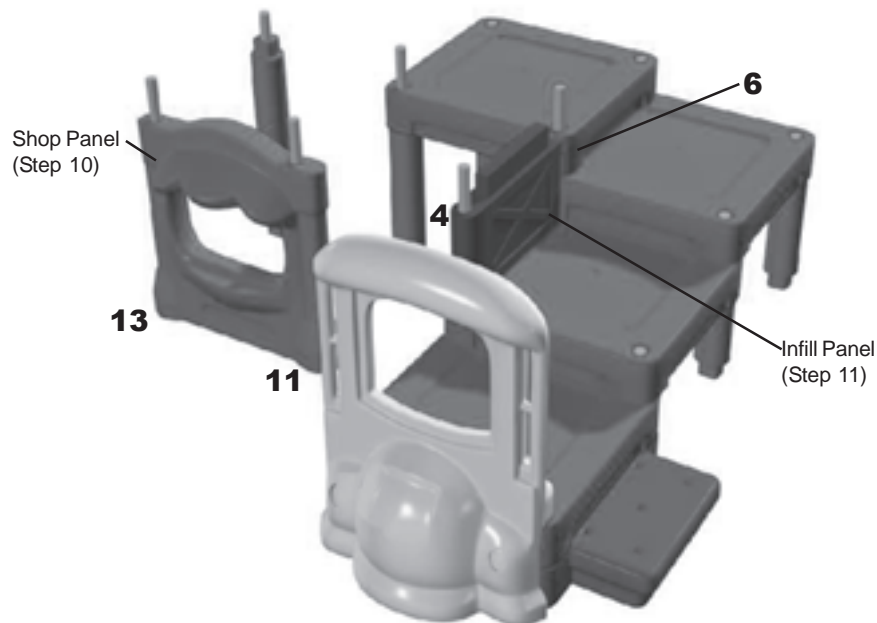
### STEP 10

Select purple shop panel with "11 and 13" marked on corners. Place panel over vertical posts with numbers on panel matching post numbers as shown in Detail G.

### STEP 11

Select brown infill panel with "4 and 6" marked on corners. Place panel over vertical posts with numbers on panel matching post numbers as shown in Detail G.

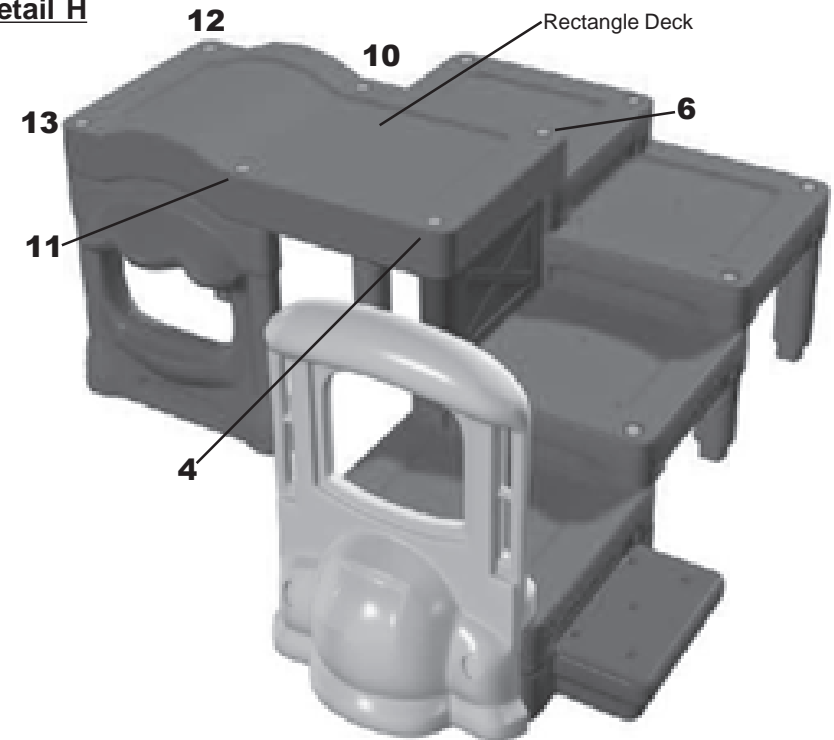
### Detail G



### STEP 12

Select red rectangle deck with "4, 6, 10, 11, 12 and 13" marked on sides and corners. Place deck over vertical posts with numbers on deck matching post numbers as shown in Detail H. **NOTE:** This deck will have holes in the "12-13" side for attaching another component in a later step.

### Detail H



### STEP 13

This completes installation of the main body of the structure. We recommend that you anchor the rest of the structure at this time. Post #'s 1-4 have already been anchored (Step 2). The plastics will be easier to raise without the added weight of the slides and stairs. Use two concrete anchors per flange. **NOTE:** Spacers may need to be turned to allow access to the anchor holes in the flange.



## INSTALLATION GUIDELINES

### **STEP 14**

Select four slide feet, eight 3/8"x3/4" bolts and eight 3/8"x3/4" washers. Install feet on bottom of slides (2 feet per slide). The longer pair of slide feet will be installed on the right curve slide. Hold slides in place against deck and mark anchor locations. Remove slides and drill and install anchors.

### **STEP 15**

Select yellow fish stair, two 3/8"x6" BH TORX bolts, four 3/8"x1-1/4" washers, two 3/8" hex nuts and two 3/8" acorn nuts. Place fish stair against deck and align holes in stair with holes in deck. Attach fish stair to deck using provided hardware (insert bolt through washer, plastic pieces, washer, nut and into acorn nut). Tighten hardware completely. See Detail I.

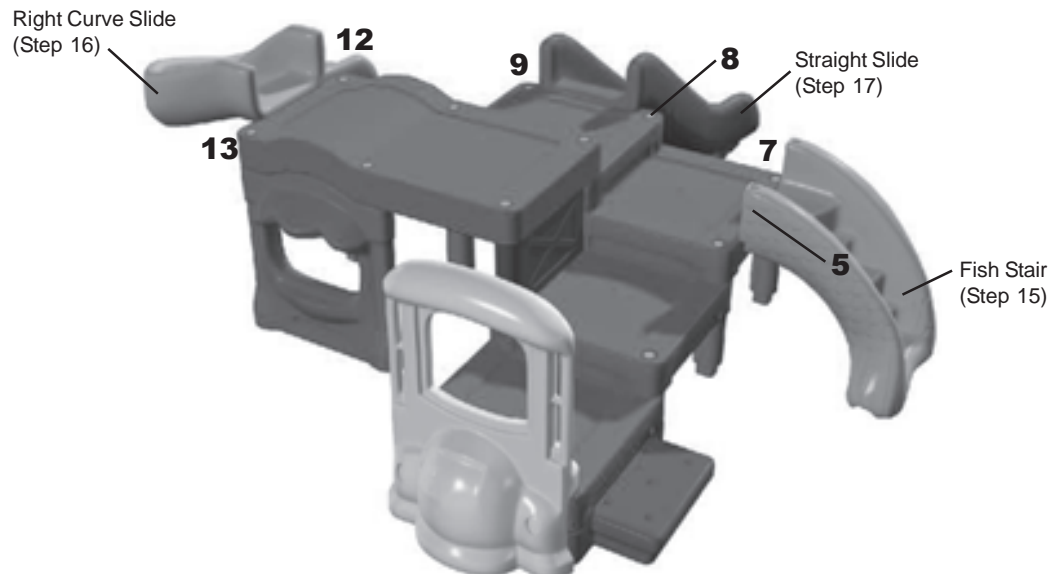
### **STEP 16**

Select yellow right curve slide, one mid support and supplied hardware. Place slide against deck and align inserts in slide with holes in deck and align holes in foot with anchors. Assemble slide brace by joining the two pieces together and securing with set screws. Attach brace to slide using four 3/8"x3/4" bolts and four 3/8"x7/8" washers. Attach to ground using concrete anchors. Attach slide to deck by inserting 2-3/4" long bolts through 3/8"x1-1/4" washer, deck and into inserts in slide (three sets of hardware for attachment). Tighten hardware and anchors completely. See Detail I.

### **STEP 17**

Select purple straight slide. Place slide against deck and align holes in slide with holes in deck and align holes in foot with anchors. Attach slide to deck using provided hardware. Insert 3/8"x6" bolt through 3/8"x1-1/4" washer, plastic pieces, 3/8"x1-1/4" washer, 3/8" hex nut and into 3/8" acorn nut -- two sets of hardware per slide. Tighten hardware and anchors completely. See Detail I.

### **Detail I**





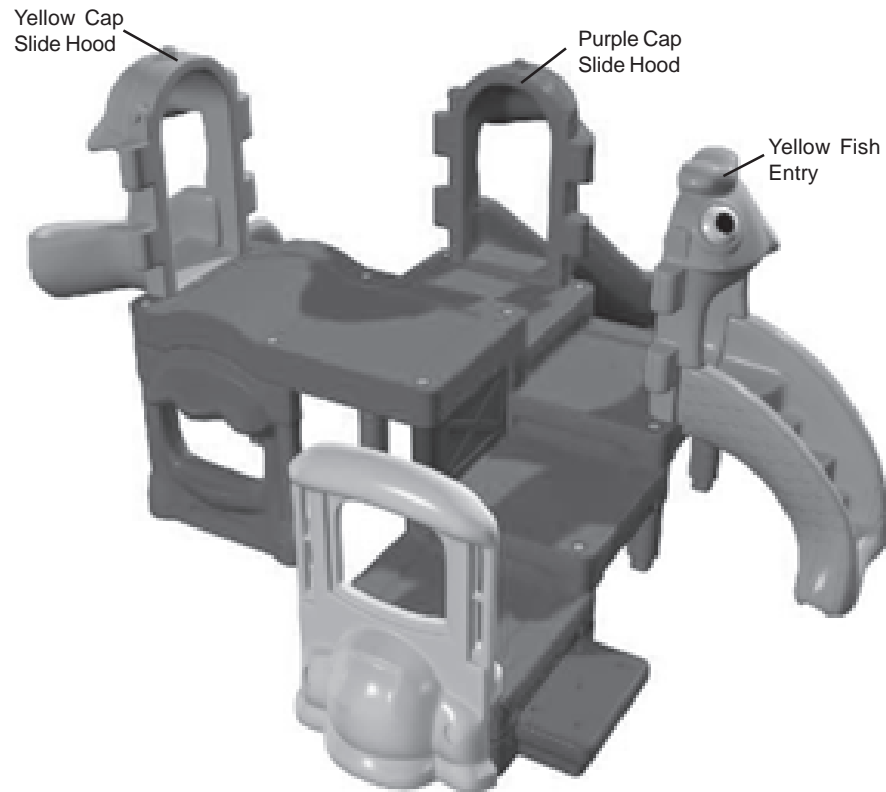
## **STEP 18**

Select purple cap slide hood, yellow cap slide hood and yellow fish entry. Place the purple cap on the purple single slide. Place the yellow fish entry on the fish stair and place the yellow cap on the right curve slide. See Detail J.

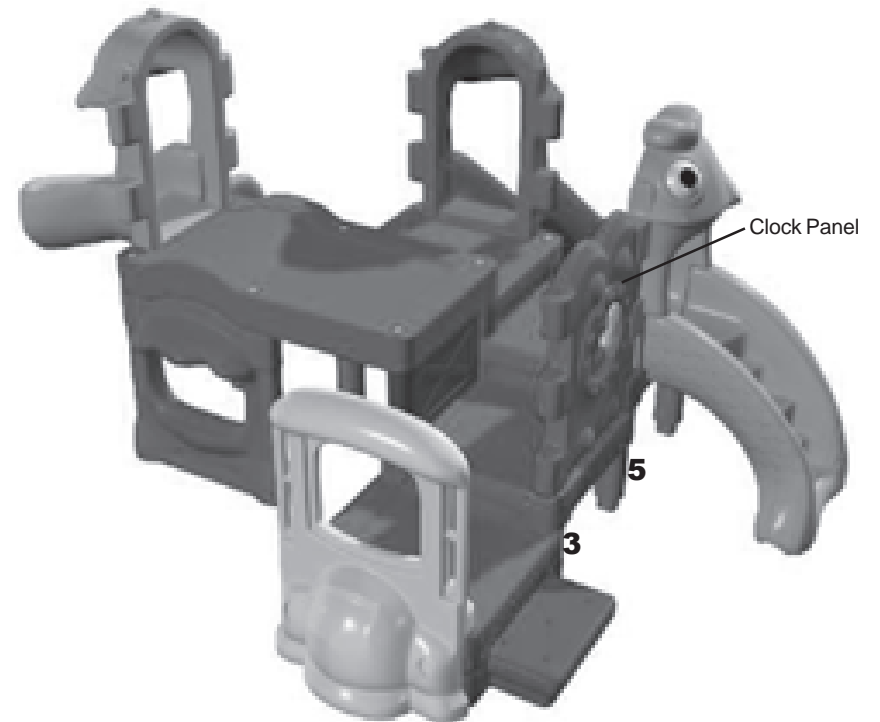
## **STEP 19**

Select green clock panel with "3 and 5" marked on corners. Set panel in place on the "3-5" side of deck as shown in Detail K.

**Detail J**



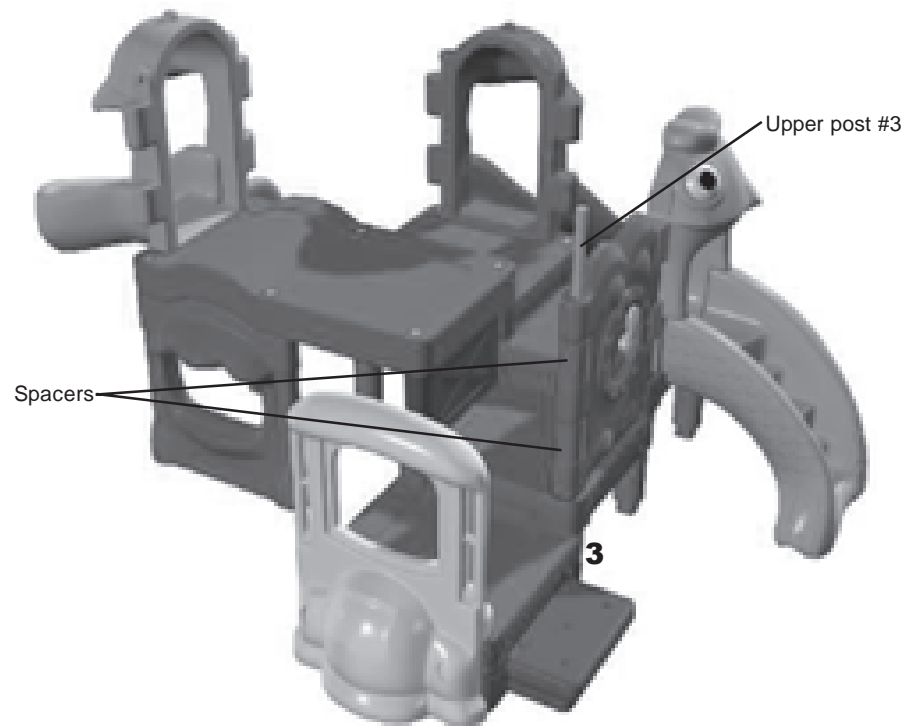
**Detail K**



## **STEP 20**

Select two short green spacers and upper post #3. Set spacers in place in the clock panel. Slide upper post #3 down into clock panel. Screw upper post into lower post using provided "T" tool. See Detail L. Also, please note that post and spacer lengths along with the location in the grid are also listed on page 3 of this manual to use as a reference in case any labels have been removed.

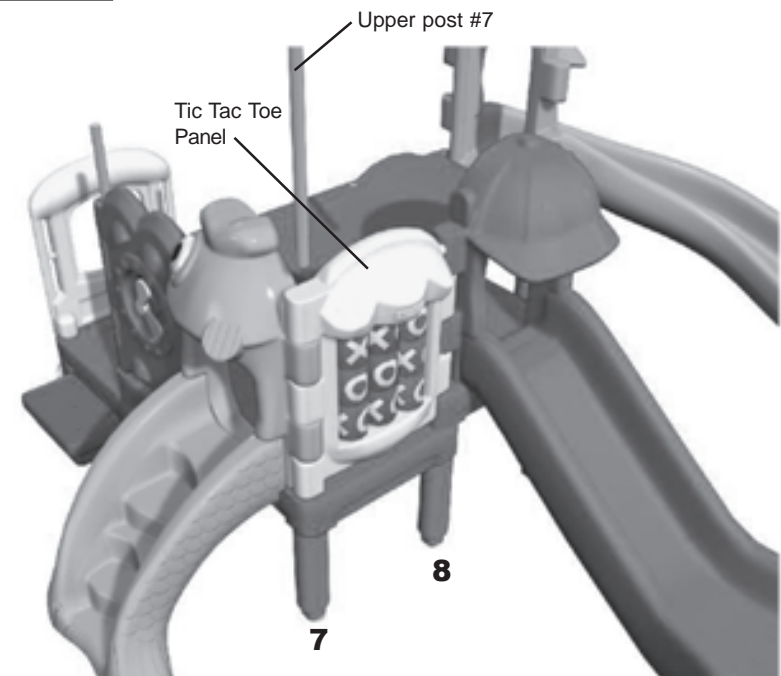
### **Detail L**



## **STEP 21**

Select yellow tic tac toe panel and upper post #7. Set panel in place on the "7-8" deck side. Slide upper post #7 down into tic tac toe and fish slide hood as shown in Detail M. Screw upper post into lower post using provided "T" tool. Also, please note that post and spacer lengths along with the location in the grid are also listed on page 3 of this manual to use as a reference in case any labels have been removed.

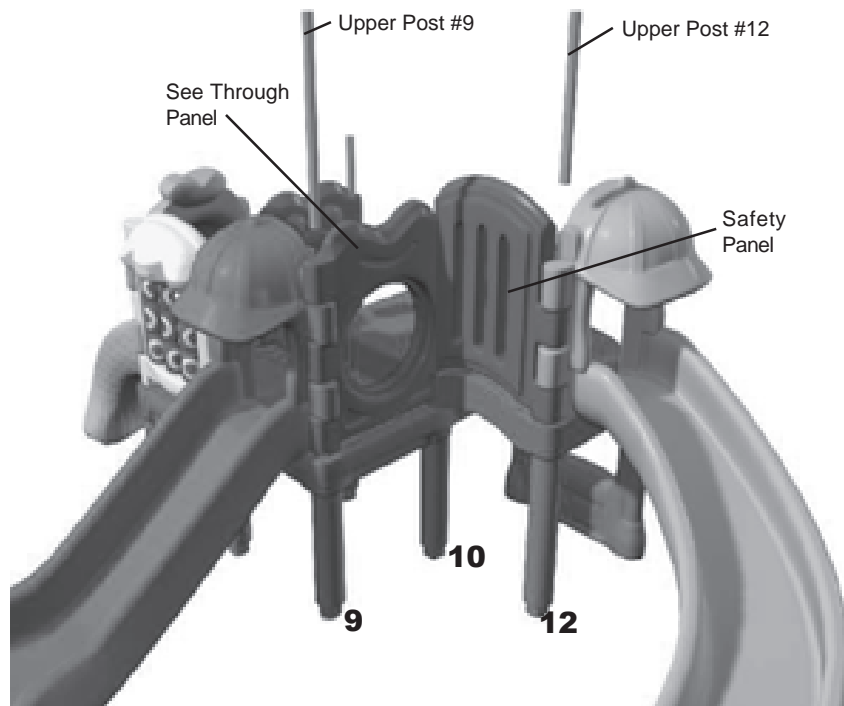
### **Detail M**



**STEP 22**

Select blue safety panel with “10 and 12” marked on ends, blue see through panel with “9 and 10” marked on ends, upper post #9 and upper post #12. Set safety panel in place on the “10-12” deck side. Slide upper post #12 down into place. Screw upper post into lower post using provided “T” tool. Place see through panel in place on the 9-10 deck side. Slide upper post #9 down into place. Screw upper post into lower post using provided “T” tool. See Detail N. Also, please note that post and spacer lengths along with the location in the grid are also listed on page 3 of this manual to use as a reference in case any labels have been removed.

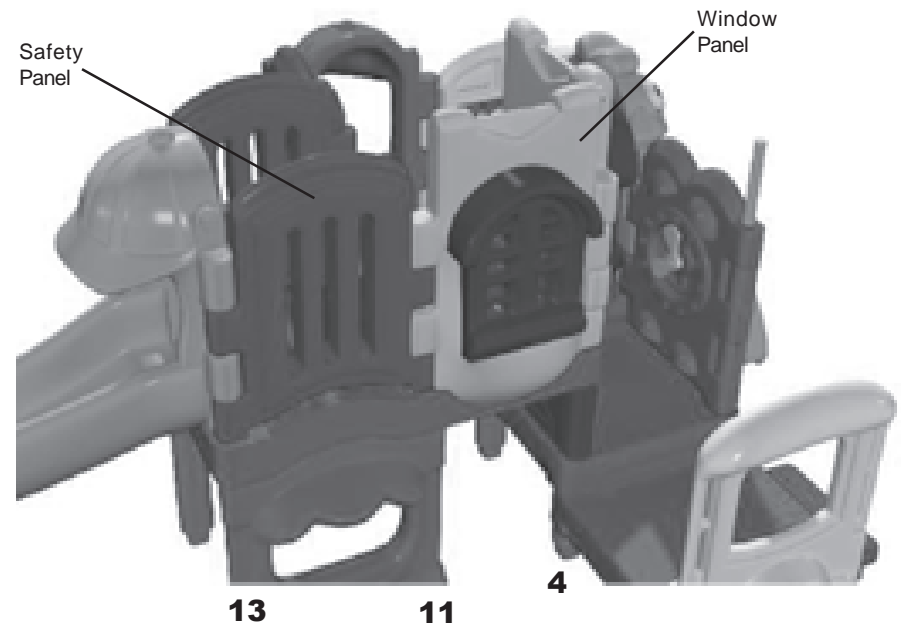
**Detail N**



**STEP 23**

Select blue safety panel with “11 and 13” marked on ends and tan window panel with “4 and 11” marked on ends. Set the safety panel in place on the “11-13” deck side and the window panel in place on the “4-11” deck side. See Detail O.

**Detail O**



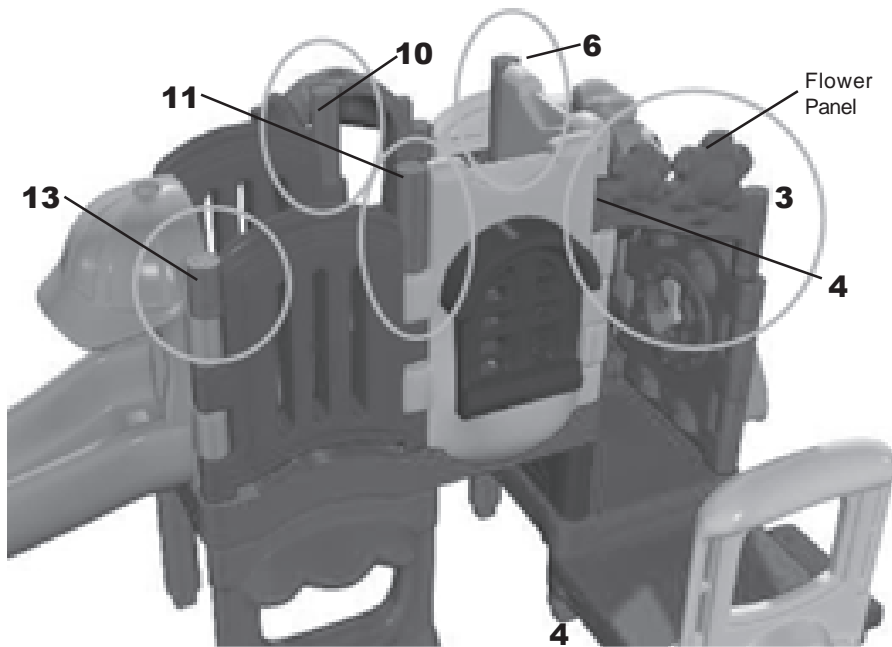
## **STEP 24**

Select red flower panel labeled with “3 and 4” and four green upper spacers labeled with #'s 6, 10, 11 and 13. Set in place as shown in Detail P. Also, please note that spacer lengths along with the location in the grid are also listed on page 3 of this manual to use as a reference in case any labels have been removed.

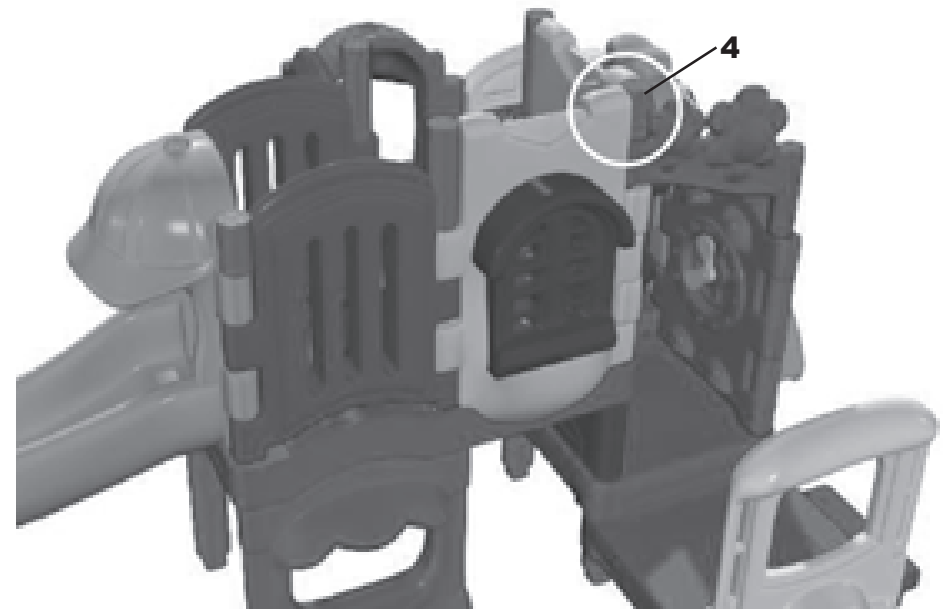
## **STEP 25**

Select green upper spacer labeled with #4. Set in place as shown in Detail Q. Also, please note that spacer lengths along with the location in the grid are also listed on page 3 of this manual to use as a reference in case any labels have been removed.

**Detail P**



**Detail Q**



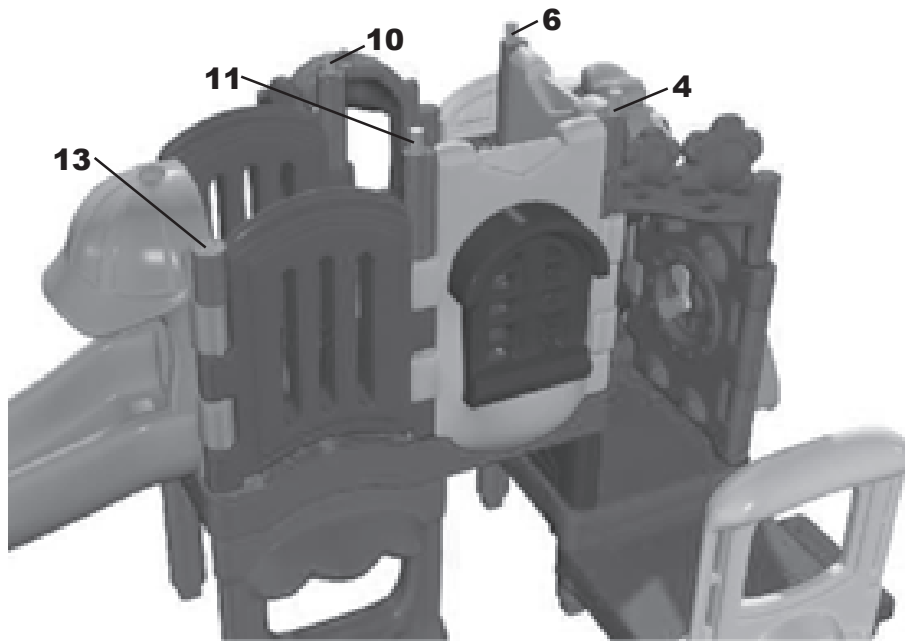
## **STEP 26**

Select green upper posts #'s 4, 6, 10, 11 and 13. Slide down into place as shown in Detail R. Screw upper posts into lower posts using provided "T" tool. Also, please note that post and spacer lengths along with the location in the grid are also listed on page 3 of this manual to use as a reference in case any labels have been removed.

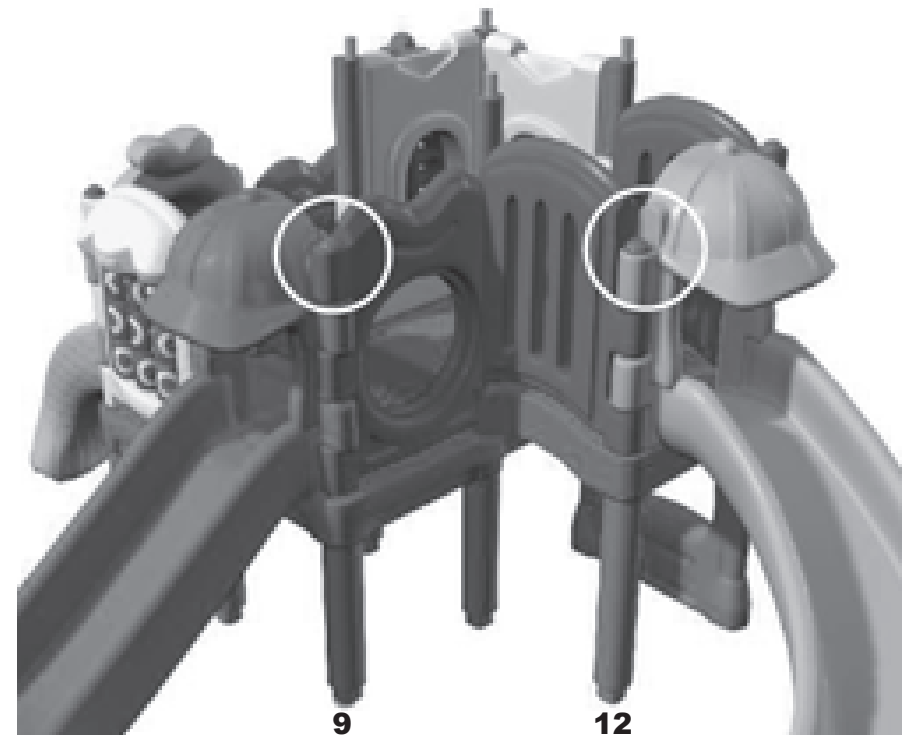
## **STEP 27**

Select seven 3/8"x2" bolts and seven post caps for post #'s 3, 5, 7, 8, 9, 12 and 13. Set caps in place as shown in Detail V. Secure using one bolt per cap. **NOTE:** Only caps #9 and 12 are shown in Detail S.

**Detail R**



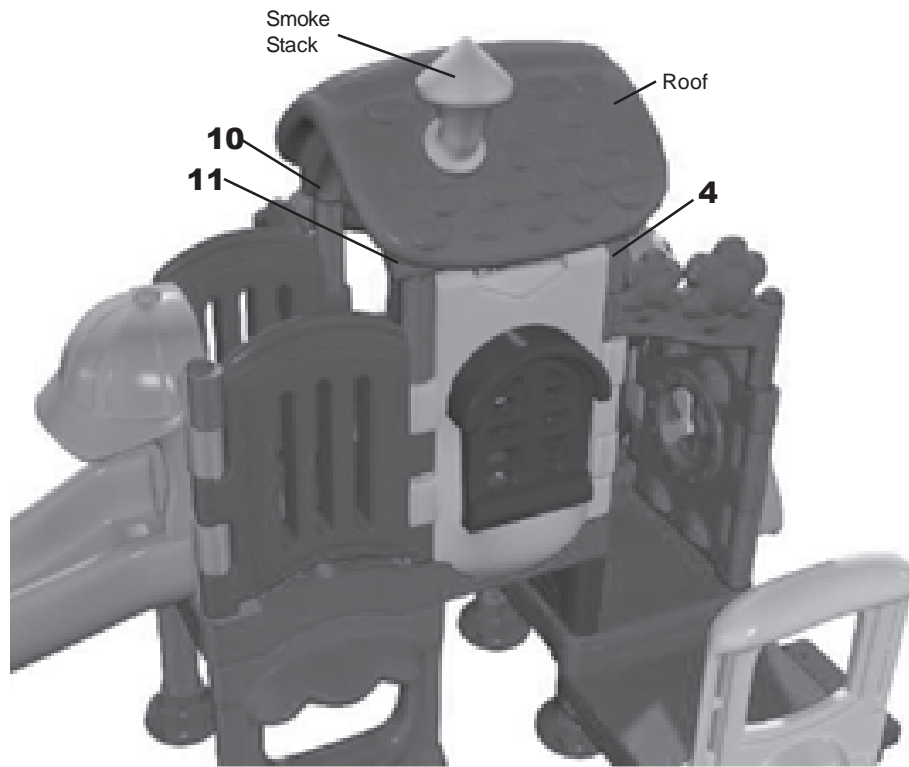
**Detail S**



## **STEP 28**

Select red roof with #'s 4, 6, 10 and 11 marked on corners and yellow smoke stack. Place smoke stack on roof and secure using 4 metric allen bolts and four 3/8"x7/8" washers (attached to roof). Slide roof on to posts #4, 6, 10 and 11 with roof positioned as shown in Detail T. Secure roof to posts using four 1/4"x2" self drilling/self tapping screws (one per post).

### **Detail T**

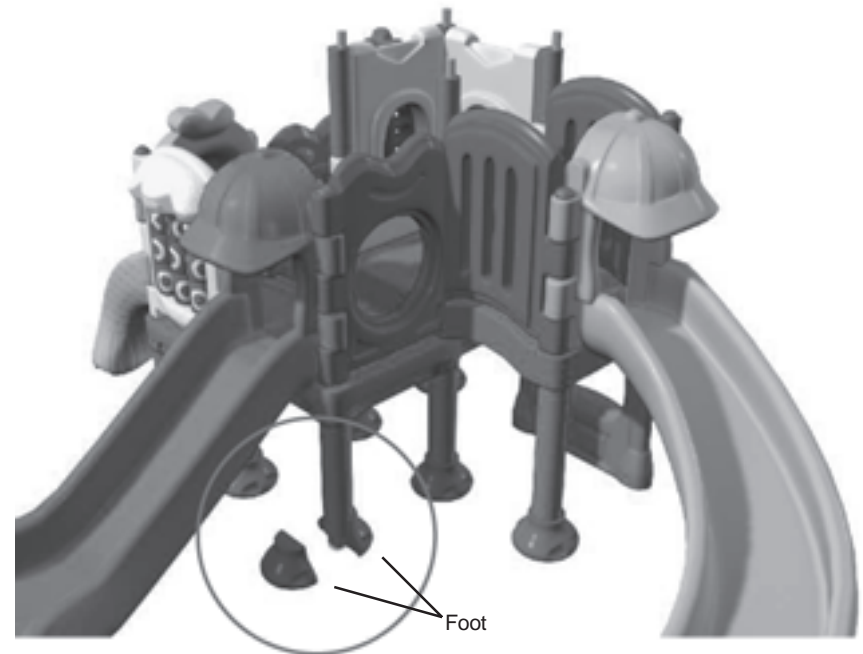


## **STEP 29**











Select blue feet. Attach feet to post #'s 5, 6, 7, 8, 9, 10 and 12 and secure with metric hardware provided (attached to foot).

**NOTE:** The T-40 tool is used for the bolt and a 14mm socket is needed to turn nut. See Detail U.

### **Detail U**













**BILL OF MATERIALS**

| RECEIVED QTY.   | PART NO.   | DESCRIPTION - LOCATION  | IMAGE   | Carton # |
|---|------------|---|---|----------|
| <b>Carton #1 size = 195cm x 97cm x 65cm Weight = 441 lbs.</b> |            |   |   |          |
| 4   | KC00040111 | RED KC Square Deck  |    | 1        |
| 1   | KC00040253 | BLUE KC See Thru Panel  |    | 1        |
| 2   | KC00040353 | BLUE KC Safety Panel  |    | 1        |
| 1   | KC00040441 | GREEN KC Clock Panel  |    | 1        |
| 2   | KC10000141 | GREEN KC Post w/base - 18-1/8" (#1 and #2 post)                 |    | 1        |
| 1   | KC10000241 | GREEN KC Post w/base - 73-5/8" (#3 post)                        |    | 1        |
| 6   | KC10000341 | GREEN KC Post w/base - 47-1/4" (#'s 4, 6, 10, 11, 12, 13 post)  |   | 1        |
| 2   | KC10000441 | GREEN KC Post w/base - 31-1/2" (#5 and #7 post)                 |  | 1        |
| 2   | KC10000541 | GREEN KC Post w/base - 39-3/8" (#8 and #9 post)                 |  | 1        |
| 4   | KC20000641 | GREEN KC Post w/stub (upper) - 57-1/16" (#'s 4, 6, 10, 11 post) |  | 1        |



**BILL OF MATERIALS**

| RECEIVED QTY.   | PART NO.   | DESCRIPTION - LOCATION  | IMAGE   | Carton # |
|---|------------|---|---|----------|
| 1   | KC20000841 | GREEN KC Post w/stub (upper) - 35-1/16" (#7 post)               |    | 1        |
| 4   | KC20000941 | GREEN KC Post w/stub (upper) - 27-3/16" (post #'s 5, 8, 12, 13) |    | 1        |
| 1   | KC20001041 | GREEN KC Post w/stub (upper) - 34-5/8" (#9 post)                |    | 1        |
| <b>Carton #2 size = 195cm x 97cm x 65cm Weight = 199 lbs.</b> |            |   |   |          |
| 2   | KC00040541 | GREEN KC Support Spacer - 32" (#9 and #10 post)                 |    | 2        |
| 2   | KC00040641 | GREEN KC Support Spacer - 24-3/8" (#7 and #8 post)              |    | 2        |
| 2   | KC00040741 | GREEN KC Support Spacer - 17" (#5 and #6 post)                  |    | 2        |
| 1   | KC00040831 | YELLOW KC Tic-Tac-Toe Panel                                     |   | 2        |
| 1   | KC00040961 | PURPLE KC Cap Hood  |  | 2        |
| 1   | KC00041011 | RED KC Rectangle Deck   |  | 2        |
| 1   | KC00041131 | YELLOW KC Fish Entry  |  | 2        |





**BILL OF MATERIALS**

| RECEIVED QTY.  | PART NO.   | DESCRIPTION - LOCATION                     | IMAGE   | Carton # |
|--|------------|--|---|----------|
| <b>Carton #3 size = 150cm x 94cm x 122cm Weight = 243 lbs.</b> |            |  |   |          |
| 1  | KC00040931 | YELLOW KC Cap Hood                         |    | 3        |
| 1  | KC00041211 | RED KC Roof                                |    | 3        |
| 1  | KC00041341 | GREEN KC Single Step                       |    | 3        |
| 1  | KC00041431 | YELLOW KC Chimney                          |    | 3        |
| 1  | KC00041511 | RED KC Flower Panel                        |    | 3        |
| 1  | KC00041641 | GREEN KC Support Spacer 39-1/4" (#12 post) |    | 3        |
| 1  | KC00041753 | BLUE/GREEN KC Custom Short Boot            |  | 3        |
| 1  | KC00041861 | PURPLE KC Shop Panel                       |  | 3        |
| 1  | KC00041931 | YELLOW KC Car Panel                        |  | 3        |
| 7  | KC00042053 | BLUE KC Boot (2 pcs)                       |  | 3        |















**BILL OF MATERIALS**

**HARDWARE - PLEASE NOTE THAT ANY HARDWARE NOT ATTACHED TO THE PIECE IT IS INSTALLED WITH WILL BE IN CARTON #4.**





**ALSO PLEASE NOTE THAT SOME HARDWARE MAY BE A METRIC EQUIVALENT OF SIZES LISTED BELOW.**

| RECEIVED | QTY. | PART NO.   | DESCRIPTION - LOCATION   | IMAGE   | Carton # |
|----------|------|------------|--|---|----------|
|          |      |            | <b>Carton #4 size = 150cm x 94cm x 105cm Weight = 177 lbs.</b> |   |          |
|          | 1    | 2070011101 | Hand Key - T-45 Security                                       |    | 4        |
|          | 3    | 2080020392 | BH Bolt - 3/8"x2-3/4" Secure                                   |    | 4        |
|          | 1    | HDW10902XX | ???? Allen #1 for HK-KC104XX                                   |    | 4        |
|          | 1    | HDW10903XX | ???? Allen #2 FOR HK-KC104XX                                   |    | 4        |
|          | 1    | HDW10904XX | Hand Key - T-40 Security                                       |    | 4        |
|          | 2    | HDW10905XX | KC Open End Wrench 17mm/14mm                                   |   | 4        |
|          | 1    | HDW10906XX | T-Tool   |  | 4        |
|          | 36   | HDW40092XX | Wedge Anchor - 5/16"x2"  |  | 4        |
|          | 1    | MSA00330XX | Tool - 2" Long T-30 TORX Security w/Barrel Hood                |  | 4        |
|          | 7    | SHERRIPLY  | KC Boot Hardware   |   | 4        |
|          | 1    | KC00010231 | Curve Slide Mid Support  |  | 4        |

**BILL OF MATERIALS**

| RECEIVED | QTY. | PART NO.   | DESCRIPTION - LOCATION                    | IMAGE   | Carton # |
|----------|------|------------|---|---|----------|
|          | 6    | 2080000193 | Screw - 1/4"x2" Self Tapping TORX w/patch |    | 4        |
|          | 4    | 2080016092 | BH Bolt - 3/8"x6" TORX w/patch            |    | 4        |
|          | 2    | 2080040192 | Set Screw - 3/8"x3/8"                     |    | 4        |
|          | 11   | 2090010292 | Washer - 3/8"x1-1/4" Flat                 |    | 4        |
|          | 16   | 2090010492 | Washer - 3/8"x7/8" OD                     |    | 4        |
|          | 4    | 2100040292 | 3/8" Hex Nut                              |    | 4        |
|          | 12   | 812052T    | BH Bolt 3/8"x3/4" TORX w/patch            |    | 4        |
|          | 9    | 812055T    | BH Bolt 3/8"x2" TORX w/patch              |   | 4        |
|          | 4    | HDW10901   | Metric Allen Bolt (<3/8"x1")              |  | 4        |
|          | 4    | HDW43967XX | Nut - Acorn 3/8"                          |  | 4        |
|          | 2    | KC00010141 | Green Tall Slide Foot                     |  | 4        |
|          | 2    | KC00010341 | Green Short Slide Foot                    |  | 4        |
|          | 9    | KC00020141 | Green Post Cap                            |  | 4        |
|          | 2    | KC00020231 | Yellow Grab Handle                        |  | 4        |

**BILL OF MATERIALS**

| RECEIVED | QTY. | PART NO.   | DESCRIPTION - LOCATION   | IMAGE   | Carton      |
|----------|------|------------|--------------------------|---|-------------|
|          | 2    | KC00042105 | TAN KC Window Panel      |    | 4           |
|          | 1    | KC00042231 | YELLOW KC Fish Stair     |    | 4           |
|          | 1    | KC00042308 | BROWN KC Infill Panel    |    | 4           |
|          | 3    | KC00042441 | GREEN KC Spacer 28-3/4"  |    | 4           |
|          | 1    | KC00042541 | GREEN KC Spacer 14-1/2"  |    | 4           |
|          | 5    | KC00042641 | GREEN KC Spacer 7-1/4"   |   | 4           |
|          | 1    | KC00042761 | PURPLE KC Straight Slide |  | single item |
|          | 1    | KC00042831 | YELLOW KC Curve Slide    |  | single item |